



SINCE 1963

**MODULAR  
CONVEYOR SYSTEM  
PRODUCT CATALOGUE  
ALUMINUM**

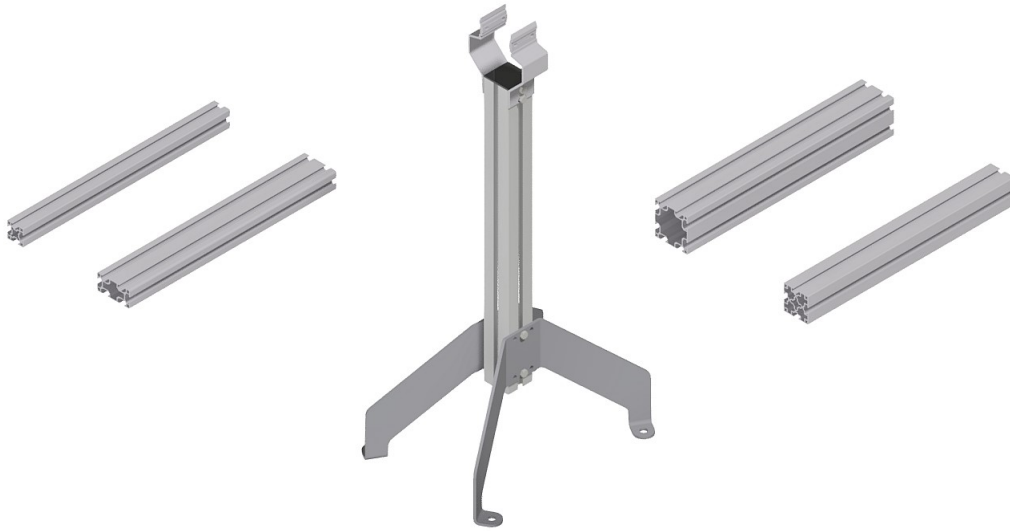
## Contents

	<a href="#">S100</a> Profiles and fasteners	p. 3-26
	<a href="#">S140</a> Conveyor system	p. 27-51
	<a href="#">S200</a> Bearing houses and pallet system	p. 52-55
	<a href="#">S220</a> Conveyor system	p. 56-74
	<a href="#">S300</a> Guide rails	p. 75-92
	<a href="#">S380</a> Conveyor system	p. 93-101
	<a href="#">S400</a> Slide rail and cover board	p. 102-104
	<a href="#">S620</a> Conveyor system	p. 105-134
	<a href="#">S830</a> Conveyor system	p. 135-166
	<a href="#">S900</a> Drive and idler parts	p. 167-190
	<a href="#">S1000</a> Mounting tools	p. 191-194
	STEP-files for complete product catalogue aluminum	

 = Download STEP-files for the selected chapter

Change without notice





STEP-files S100

# S100

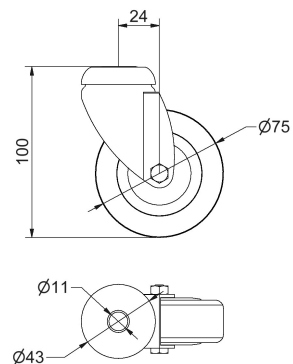


Series 100

**Industrial castor**

Ball bearing, pivotable device castor.  
Fork in zinc plated steel.  
Wheels in polypropylene and rubber  
Weight 250 g

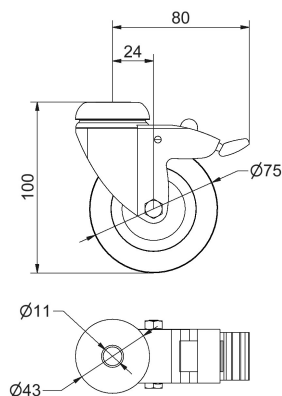
**Part no. 100-1127**



**Industrial castor**

With brake, ball bearing, pivotable device castor.  
Fork in zinc plated steel.  
Wheels in polypropylene and rubber.  
Weight 300 g

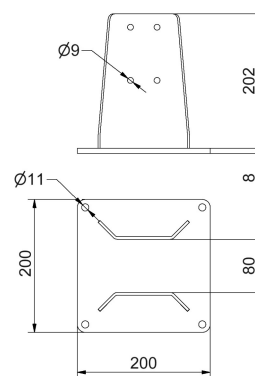
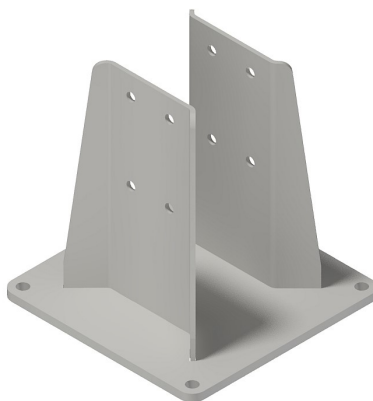
**Part no. 100-1126**



**Foot**

For profile 100-1030  
Zinc plated steel.  
Weight 4160 g

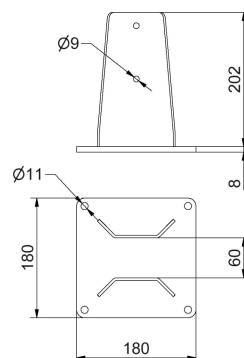
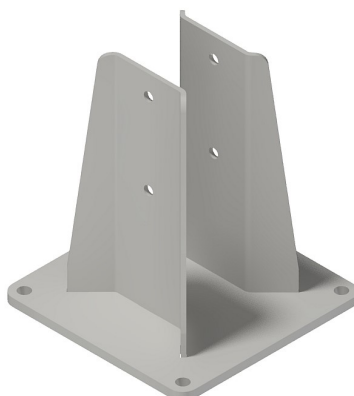
**Part no. 100-1131**



**Foot**

For profile 100-1015  
Zinc plated steel.  
Weight 3440 g

**Part no. 100-1141**

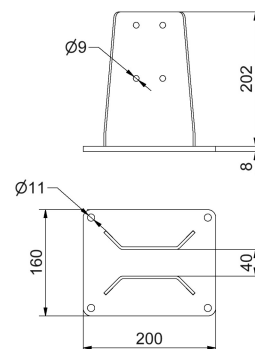


Series 100

**Foot**

For profile 100-1020  
Zinc plated steel.  
Weight 3700 g

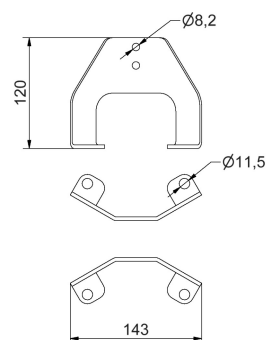
**Part no. 100-1151**



**Foot**

For profile 100-1010  
Zinc plated steel.  
Weight 350 g/ pcs  
Delivered in pairs (2 pcs)

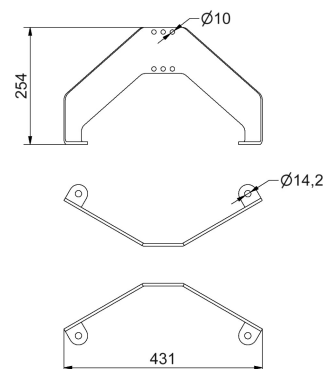
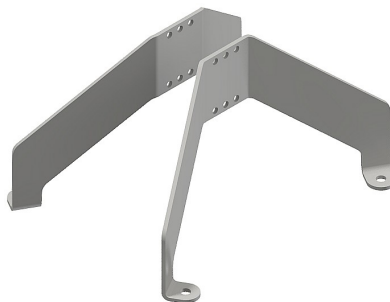
**Part no. 100-1152**



**Foot**

For all profiles  
Zinc plated steel.  
Weight 2400 g/st  
Delivered in pairs (2 pcs)

**Part no. 100-1155**



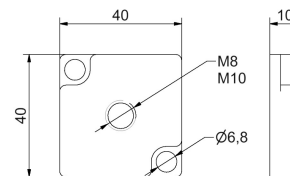
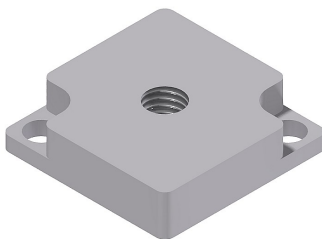
Series 100

**End plate**

For profile 100-1010  
Anodized aluminum  
Weight 38 g

Center hole M8  
**Part no. 100-1165**

Center hole M10  
**Part no. 100-1166**

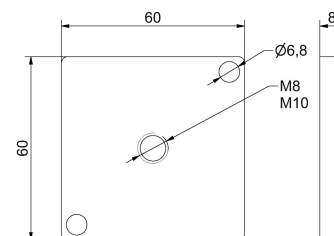
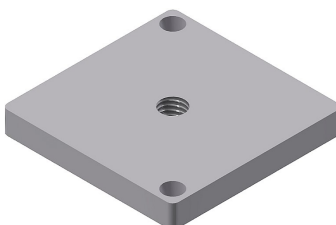


**End plate**

For profile 100-1015  
Anodized aluminum  
Weight 75 g

Center hole M8  
**Part no. 100-1167**

Center hole M10  
**Part no. 100-1168**



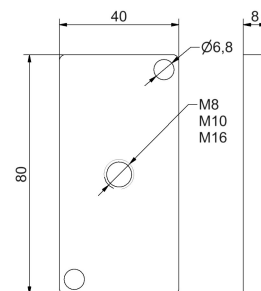
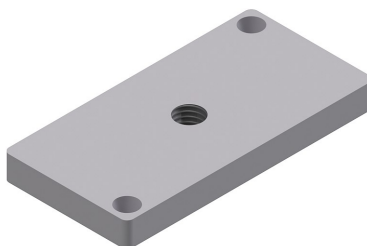
**End plate**

For profile 100-1020  
Anodized aluminum  
Weight 66 g

Center hole M8  
**Part no. 100-1181**

Center hole M10  
**Part no. 100-1182**

Center hole M16  
**Part no. 100-1180**



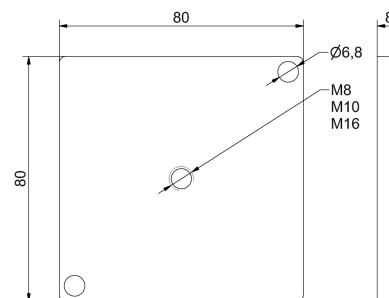
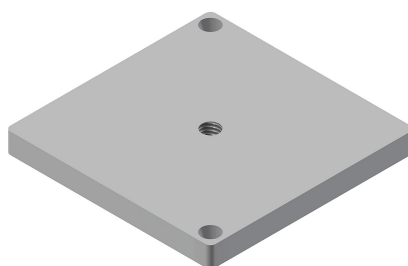
**End plate**

For profile 100-1030  
Anodized aluminum  
Weight 14 g

Center hole M8  
**Part no. 100-1171**

Center hole M10  
**Part no. 100-1172**

Center hole M16  
**Part no. 100-1170**



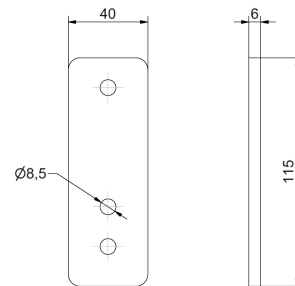


Series 100

**Support bracket**

For conveyor profile 380-1000  
 Anodized aluminum  
 Weight 70 g

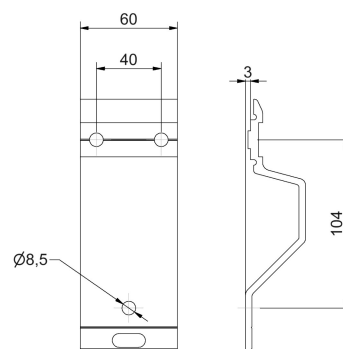
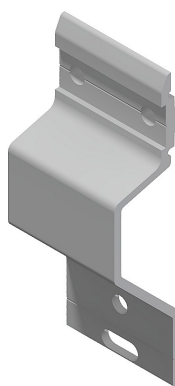
**Part no. 100-1200**



**Support bracket**

For conveyor profile 620-1000  
 Anodized aluminum  
 Weight 123 g

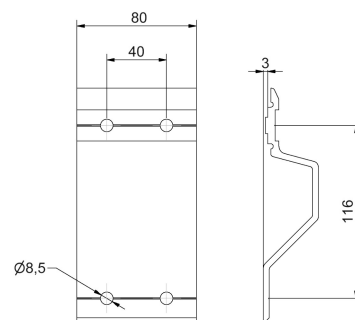
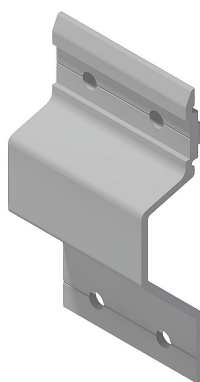
**Part no. 100-1225**



**Support bracket**

For conveyor profile 830-1000 and 140-1000  
 Anodized aluminum  
 Weight 175 g

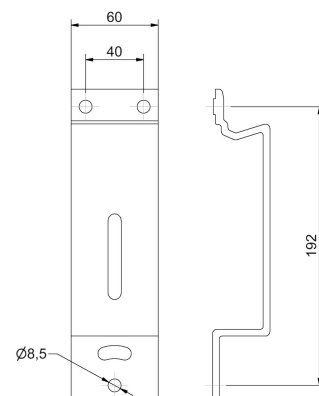
**Part no. 100-1230**



**Support bracket**

Intended to be used with drip tray  
 For conveyor profile 620-1000  
 Anodized aluminum  
 Weight 206 g

**Part no. 100-1270**

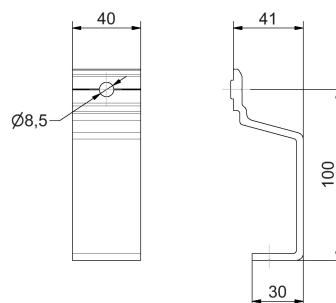
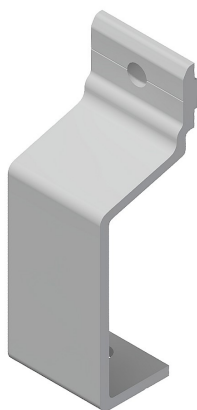


Series 100

**Support bracket**

For all conveyor profiles  
Anodized aluminum  
Weight 75 g

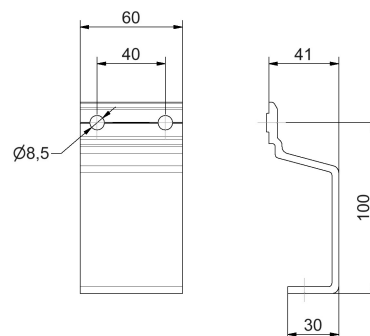
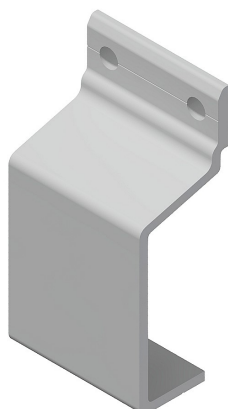
**Part no. 100-1220**



**Support bracket**

For all conveyor profiles  
Anodized aluminum  
Weight 110 g

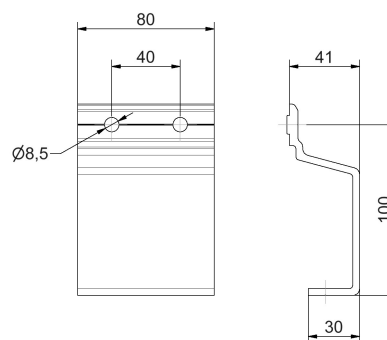
**Part no. 100-1235**



**Support bracket**

For all conveyor profiles  
Anodized aluminum  
Weight 150 g

**Part no. 100-1240**

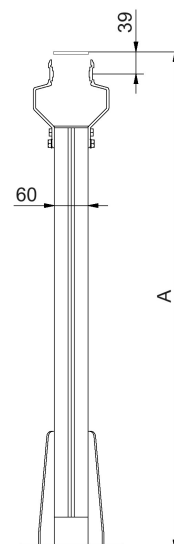
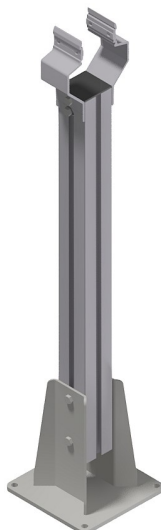


Series 100

**Support stand**

For S620  
Anodized aluminum

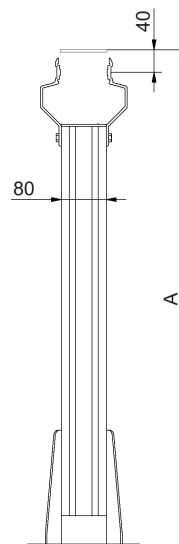
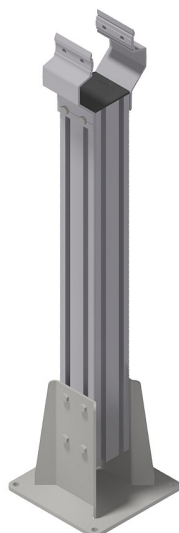
**Part no. 100-1351**



**Support stand**

For S830 and S140  
Anodized aluminum

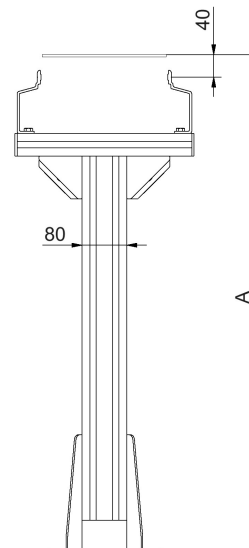
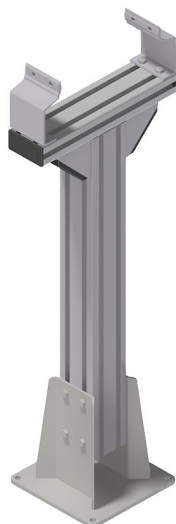
**Part no. 100-1341**



**Support stand**

For S220  
Anodized aluminum

**Part no. 100-1346**

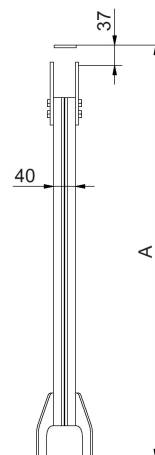
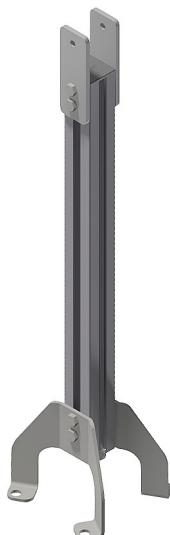


Series 100

**Support stand**

For S380  
Anodized aluminum

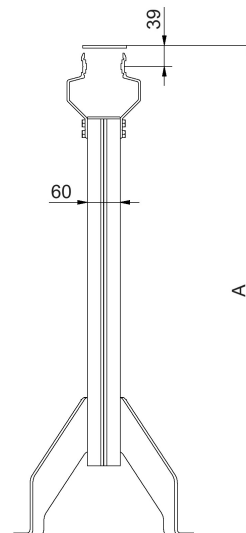
**Part no. 100-1365**



**Support stand**

For S620  
Anodized aluminum

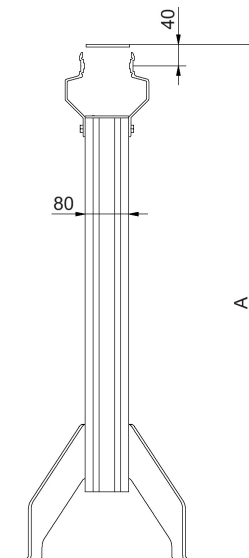
**Part no. 100-1380**



**Support stand**

For S830 and S140  
Anodized aluminum

**Part no. 100-1370**



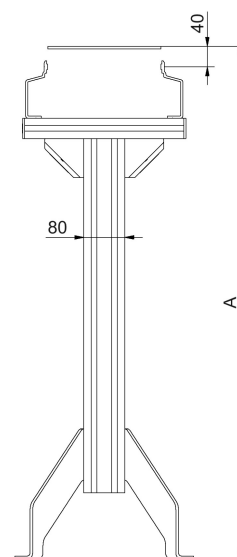


Series 100

**Support stand**

For S220  
Anodized aluminum

**Part no. 100-1375**

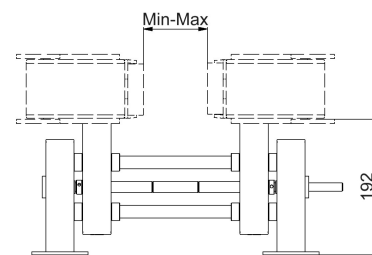
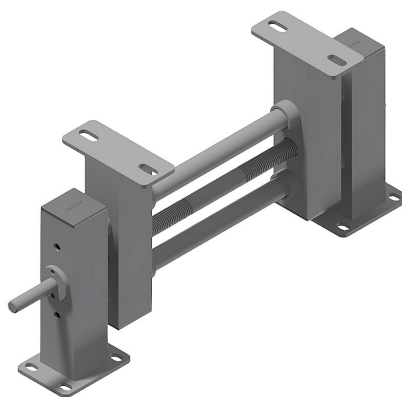


Series 100

**Width adjustment actuator**

Width adjustment actuator for side grip conveyor  
 Stainless steel

Part no.	Width
<b>100-1400-0-100</b>	0-100 mm
<b>100-1400-0-150</b>	0-150 mm
<b>100-1400-0-200</b>	0-200 mm
<b>100-1400-0-250</b>	0-250 mm
<b>100-1400-0-300</b>	0-300 mm

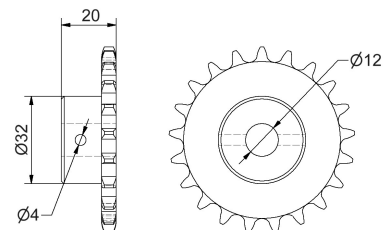


Enter width when ordering.  
 Other widths on request.

**Sprocket**

Sprocket for width adjustment actuator  
 21 teeth, white acetal

**Part no. 100-1420**

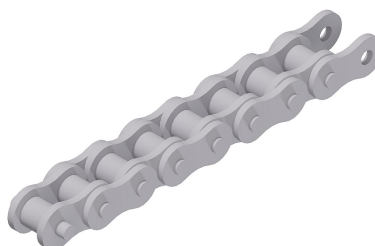


**Chain**

Chain 3/8 " for width adjustment  
 actuator  
 Nickel-plated steel chain

Enter length when ordering.  
 Complete with chain lock.

**Part no. 100-1430**



Chain lock  
**Part no. 100-1432**

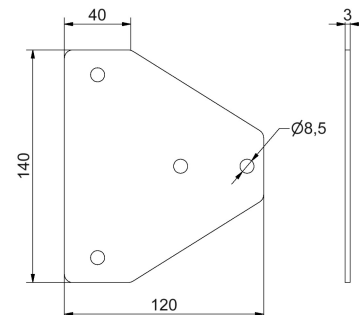
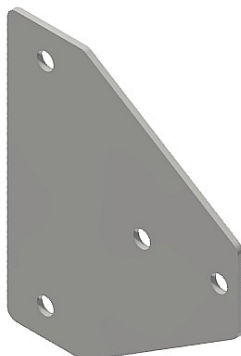
Semi-link  
**Part no. 100-1434**

Series 100

**Connecting plate T-cross**

For profile 40x40 and 40x80  
 Zinc plated steel  
 Weight 300 g

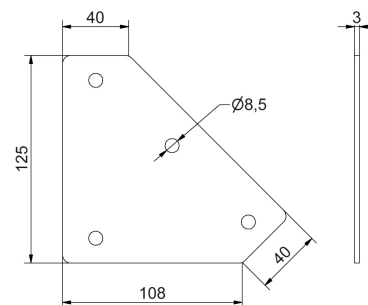
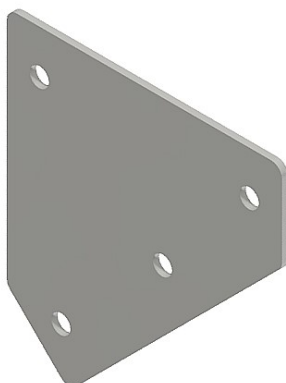
**Part no. 100-5010**



**Connecting plate**

Connecting plate 45° for profile 40x40  
 and 40x80  
 Zinc plated steel  
 Weight 277 g

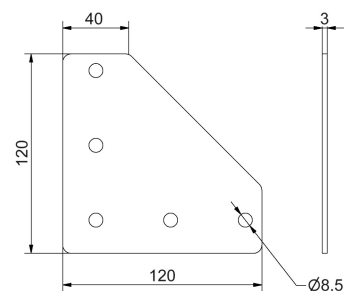
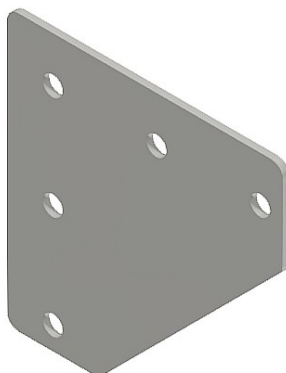
**Part no. 100-5015**



**Connecting plate**

Connecting plate 90° for profile 40x40  
 and 40x80  
 Zinc plated steel  
 Weight 257 g

**Part no. 100-5020**

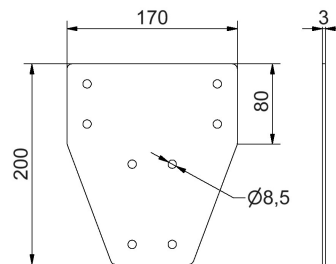
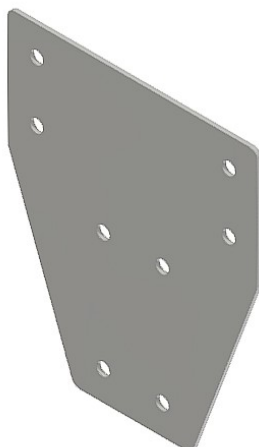


Series 100

**Connecting plate T-cross**

For profile 40x80 and 80x80  
 Zinc plated steel  
 Weight 660 g

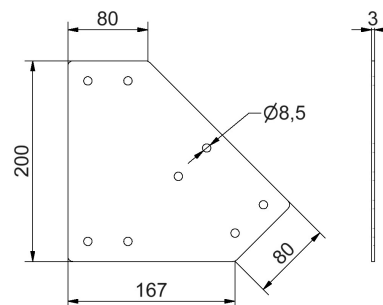
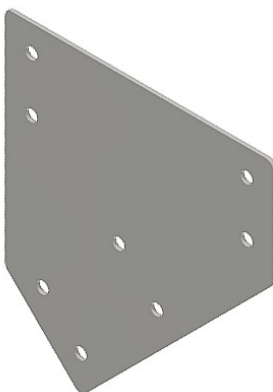
**Part no. 100-5025**



**Connecting plate**

Connecting plate 45° for profile 40x80  
 and 80x80  
 Zinc plated steel  
 Weight 760 g

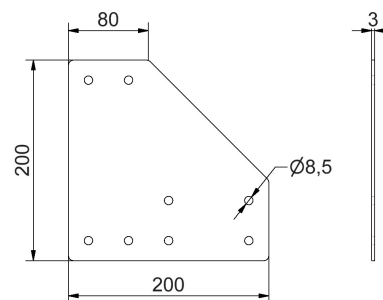
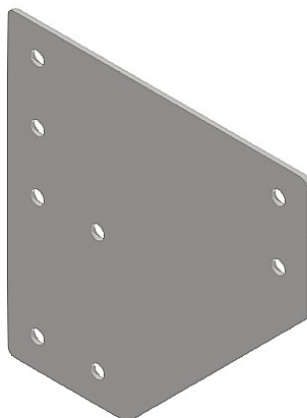
**Part no. 100-5030**



**Connecting plate**

Connecting plate 90° for profile 40x80  
 and 80x80  
 Zinc plated steel  
 Weight 760 g

**Part no. 100-5035**



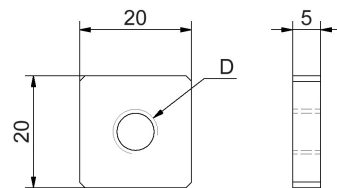
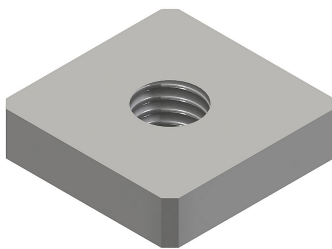


Series 100

**Square nut**

Zinc plated steel, weight 14 g  
50 Pcs/box

Part no.	D = Thread
<b>100-6000</b>	M4
<b>100-6010</b>	M5
<b>100-6020</b>	M6
<b>100-6030</b>	M8
<i>Stainless Steel</i> <b>500-4370</b>	M6
<i>Stainless Steel</i> <b>500-4380</b>	M8

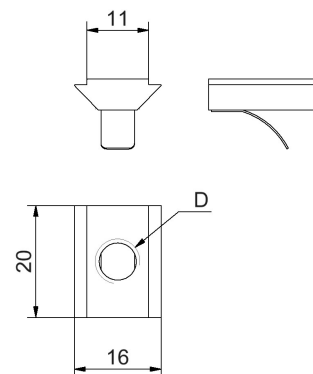
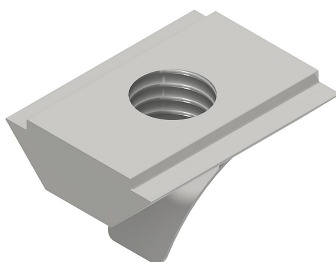


**Slot nut**

Zinc plated steel  
Weight 8 g

Slot nut D= M6  
**Part no. 100-6040**

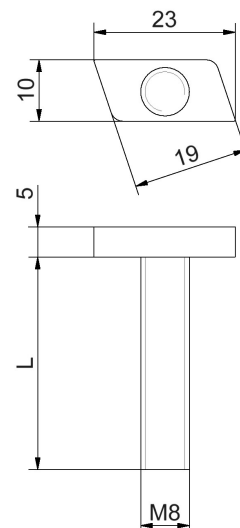
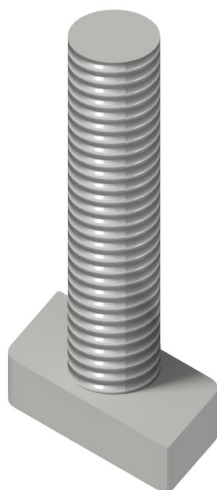
Slot nut D= M8  
**Part no. 100-6045**



**T-bolt**

T-bolt M8, zinc plated steel  
Weight 15-36 g  
50 Pcs/box

Part no.	L = Length
<b>100-6060</b>	17 mm
<b>100-6070</b>	24 mm
<b>100-6080</b>	35 mm
<b>100-6090</b>	53 mm
<b>100-6095</b>	71 mm
<b>100-6098</b>	85 mm
<i>Stainless Steel</i> <b>500-4400</b>	17 mm

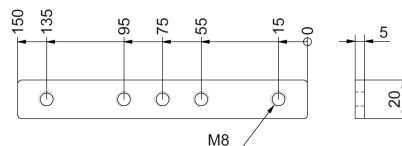
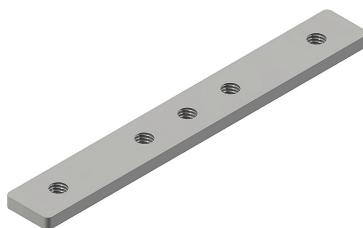


Series 100

**Connecting strip**

Zinc plated steel  
Weight 110 g

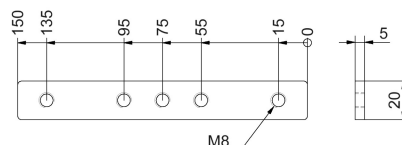
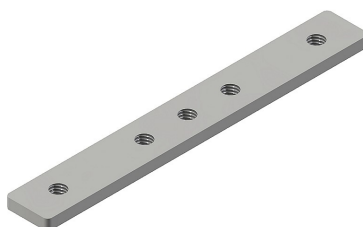
**Part no. 100-7010**



**Connecting strip**

Stainless steel  
Weight 115 g

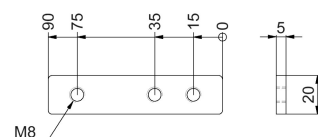
**Part no. 100-7011**



**Connecting strip**

Zinc plated steel  
Weight 66 g

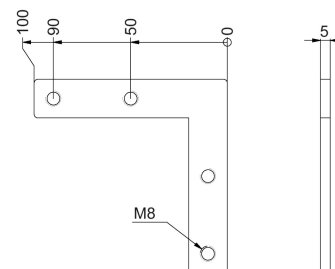
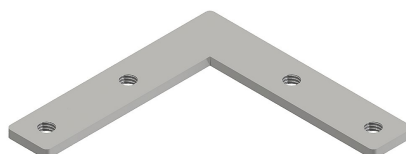
**Part no. 100-7015**



**Connecting strip**

Connecting strip 90°  
Zinc plated steel  
Weight 115 g

**Part no. 100-7020**

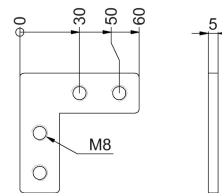
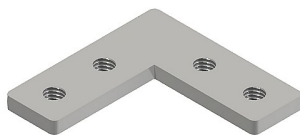


Series 100

### Connecting strip

Connecting strip 90°  
Zinc plated steel  
Weight 73 g

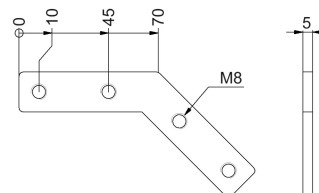
Part no. 100-7022



### Connecting strip

Connecting strip 45°  
Zinc plated steel  
Weight 98 g

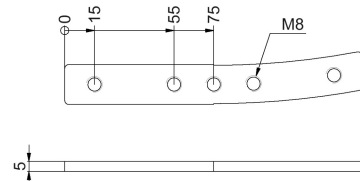
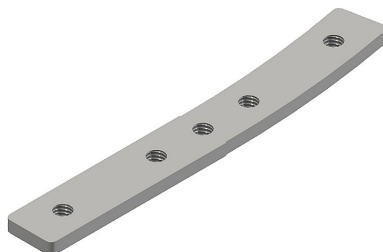
Part no. 100-7025



### Connecting strip

Connecting strip for vertical bend R400  
Zinc plated steel  
Weight 110 g

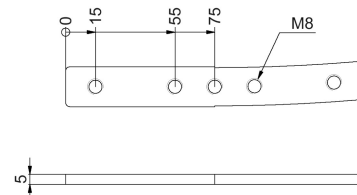
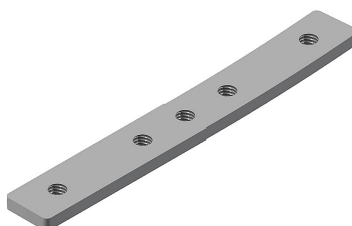
Part no. 100-7026



### Connecting strip

Connecting strip for vertical bend R860  
Zinc plated steel  
Weight 110 g

Part no. 100-7027

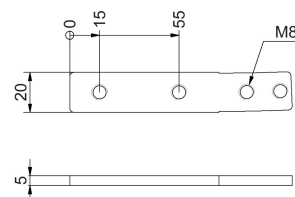
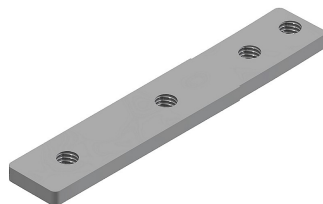


Series 100

### Connecting strip

Connecting strip for vertical bend R860  
Zinc plated steel  
Weight 80 g

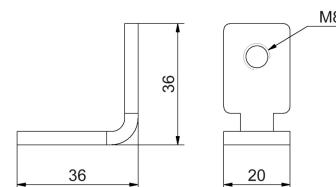
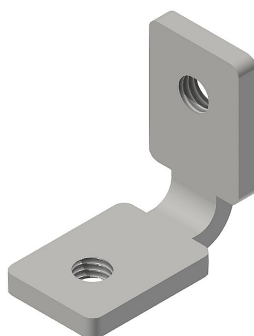
Part no. 100-7028



### Connecting strip

Connecting strip 90°  
Zinc plated steel  
Weight 35 g

Part no. 100-7029



### Set screw


Used for all types of connecting strips  
Zinc plated steel  
Weight 4 g

Part no. 100-7030







 STEP-files S140

# S140



Series 140



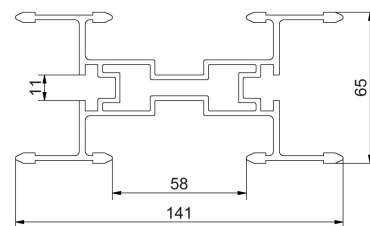
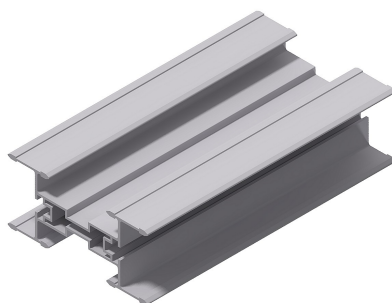
Technical specification S140	
Width of chain	140 mm
Chain pitch	38 mm
Width conveyor profile	141 mm
Height conveyor	80 mm
Radius conveyor chain on the drive and idler unit	70 mm
Max. permitted traction on the conveyor chain	1250 N
Weight conveyor	≈ 8 kg/m **
Recommended maximum load on conveyor	≈ 200 kg *
Recommended maximum load	≈ 20 kg/m *
Recommended maximum length of conveyor	≈ 20 m *
Recommended maximum speed	50 m/min
Minimum radius on plain bend	R 300 mm
Wheel curve radius	R 200 mm
Vertical bend radius	R 400 mm and R 860 mm
Motor	0,18 - 0,55 kW
Noise level	< 70 dB (A)
Chain material	Acetal
Conveyor profile material	Anodized aluminum
* Recommended maximum length depends on the design, load and number of bends.	
** The weight of the conveyor depends on which type of chain, guide rail and guide rail bracket.	

Series 140

### Conveyor profile S140

Anodized aluminum  
Weight 3300 g/m  
Length 5.8 m  
Qty/package 10 pcs

Part no. 140-1000



Series 140

### Conveyor chain S140

Acetal, nylon and stainless steel.  
 Standard version top flights are made of white acetal which is food approved  
 Allowed traction force 1250 N.

On request, chain and top flight can be delivered in non-standard material.  
 Enter the following additional letter.

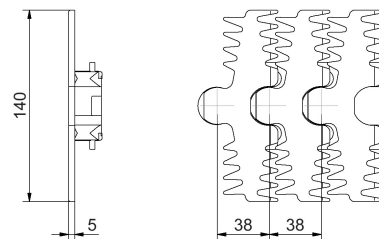
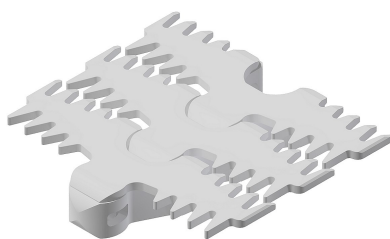
- L = Low friction
- V = Heat resistance
- A = Antistatic
- F = Flocked

Order example 140-2000L

### Finger chain

Slat standard chain for S140 and S540  
 Weight 1680 g/m  
 Qty 27 pcs/m

**Part no. 140-2000**

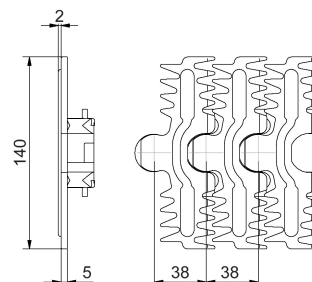
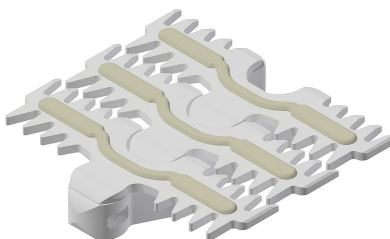


Top flight for standard chain  
**Part no. 140-2001**

### Finger chain friction

Standard chain with friction top flight  
 for S140 and S540  
 Weight 1700 g/m  
 Qty 27 pcs/m

**Part no. 140-2010**



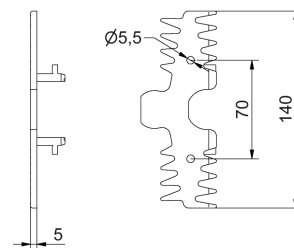
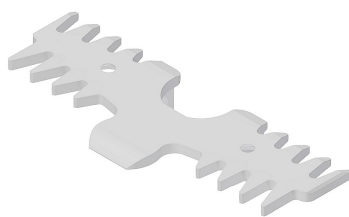
Top flight for friction chain  
**Part no. 140-2011**

Series 140

**Top flight for carrier**

For S140 and S540  
Weight 28 g

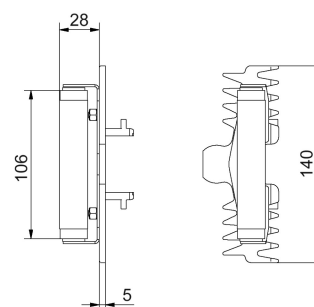
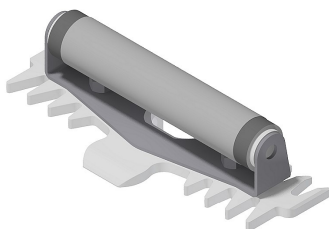
**Part no. 140-2075**



**Top flight with roller carrier**

For S140 and S540  
Plastic roll with bearing and bracket in  
Stainless steel  
Weight 109 g

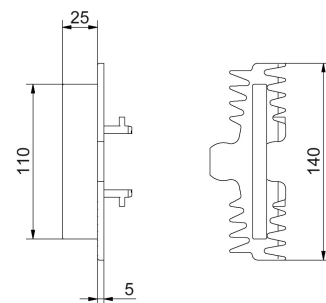
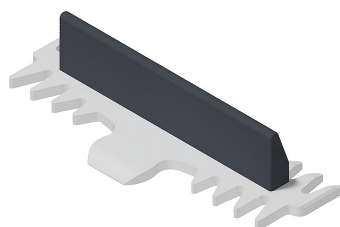
**Part no. 140-2079**



**Top flight with carrier**

For S140 and S540  
Weight 47 g

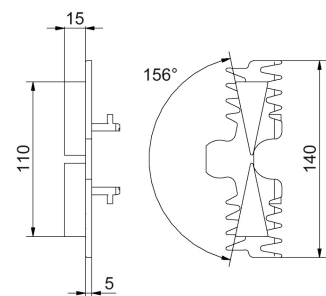
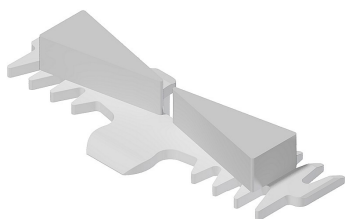
**Part no. 140-2081**



**Top flight with carrier**

For S140 and S540  
Weight 50 g

**Part no. 140-2179**

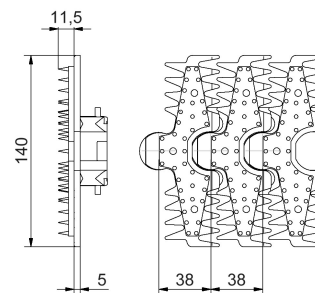
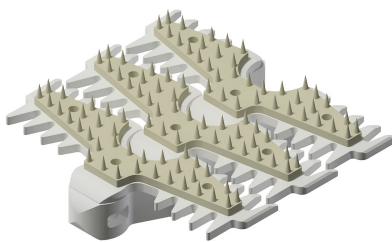


Series 140

**Friction chain**

For S140 and S540  
Weight 1,695 kg/m

**Part no. 140-2110**



Top flight for friction chain with pimples  
**Part no. 140-2111**

Series 140

**140-30**

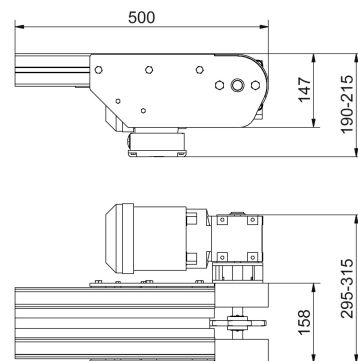
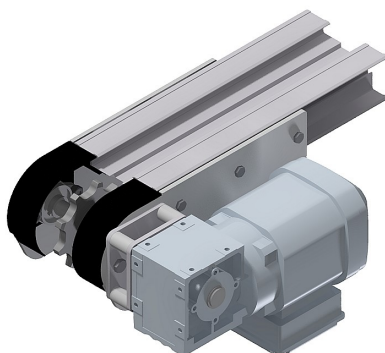
Drive unit with direct transmission S140.

Configuration of default drive with direct transmission. **140-30-ABC-D-E.**

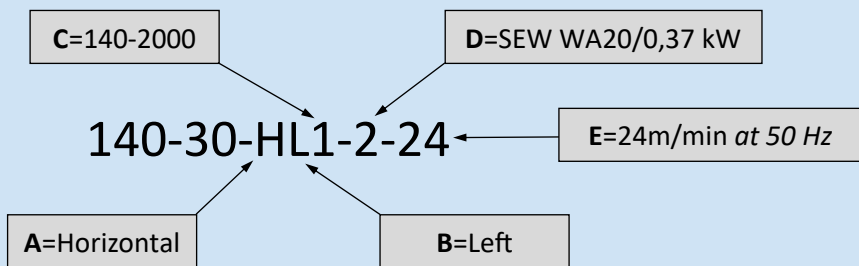
If needed, roller transfers and brackets can be found on page 35.

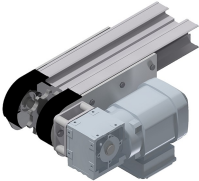
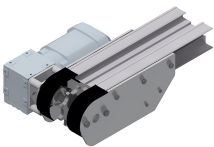
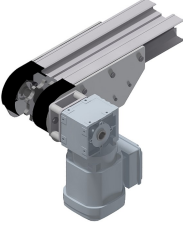
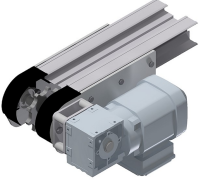
Weight without motor 4500 g

Weight with motor 11500-17500 g



Order example



<b>A:</b> <u>Assembly position</u>	<b>B:</b> <u>Placement</u>	<b>C:</b> <u>Conveyor chain</u>	<b>D:</b> <u>Motor/gear</u> <u>Power</u>	<b>E:</b> <u>Speed m/min</u> <u>at 50 Hz</u>
<b>H:</b> Horizontal  	<b>R:</b> Right  	<b>1:</b> 140-2000 140-2010	<b>1:</b> SEW WA20 0,25 kW	8    18    34 10    20    47 12    25 15    29
		<b>2:</b> 140-2081		<b>2:</b> SEW WA20 0,37 kW
<b>V:</b> Vertical  	<b>L:</b> Left  	<b>3:</b> 140-2079 140-2110 140-2179	<b>3:</b> SEW WA30 0,37 kW	6    15    30 8    18    34 10    20    48 12    25
		<b>4:</b> SEW WA30 0,55 kW		15    34 18    48 20 30
				<b>W</b> Without motor/gear. Assembly position and shaft prepared for selected place- ment. More options →

Series 140

Cont. 140-30

<b>D:</b> <u>Motor/gear</u> <u>Power</u>	<b>E:</b> <u>Speed m/min</u> <u>at 50 Hz</u>		
<b>5:</b> SEW SA37 0,37 kW	8 10 13 16	19 25 27 31	36
<b>6:</b> Lenze G500-B45 0,18 kW	13 15 17 19	21 25 28 31	36 41 45
<b>7:</b> Lenze G500-B110 0,18 kW	8 10 12 15	19 21 25 33	38 41
<b>8:</b> Lenze G500-B45 0,25 kW	19 22 25 28	32 36 41 46	
<b>9:</b> Lenze G500-B110 0,25 kW	11 12 15 19	21 25 27 31	38 42 46
<b>10:</b> Lenze G500-B45 0,37 kW	28 32 37 42	47	

<b>D:</b> <u>Motor/gear</u> <u>Power</u>	<b>E:</b> <u>Speed m/min</u> <u>at 50 Hz</u>		
<b>11:</b> Lenze G500-B110 0,37 kW	11 13 16 20	22 25 28 32	34 39 43 47
<b>12:</b> Lenze G500-B45 0,55 kW	26 28 32 37	42 47	
<b>13:</b> Lenze G500-B110 0,55 kW	17 20 22 25	28 31 39 43	47
<b>14:</b> Lenze Smart Motor G500-B45 max 0,47 kW	Adjustable speed 6-31 m/min		
<b>15:</b> Lenze Smart Motor G500-B45 max 0,47 kW	Adjustable speed 10-50 m/min		
	<b>W</b> Without motor/gear. Assembly position and shaft prepared for selected place- ment.		

If needed, roller transfers and brackets can be found on page 35.



## Series 140

### Cont. 140-30

#### Bracket for roller transfer and connecting strip between conveyors

The following configuration is listed on order number 140-30-ABC-D-E **with one additional letter**.

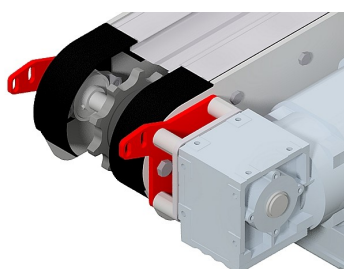
**A** = 900-3117 and 900-7112.

**B** = 900-3119 and 900-7120.

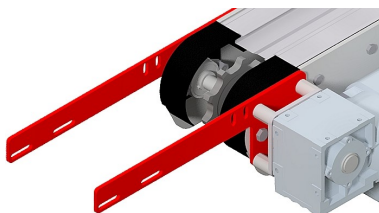
**C** = 900-3118 and 900-7130, 7 mm level difference.

Order example: 140-30-HL1-2-24-A

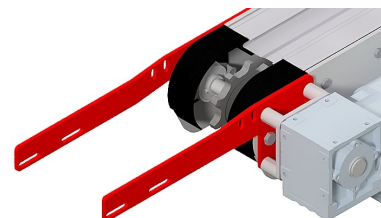
**A**



**B**



**C**



#### Bracket for roller transfer and connecting strip including roller transfer

The following configuration is listed on the existing order number 140-30-ABC-D-E– **with two extra letters**.

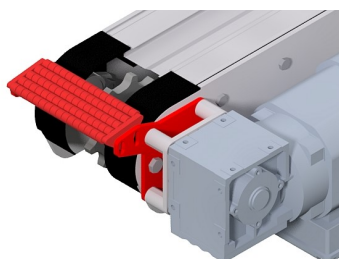
**AR** = 900-3117, 900-7112 and 900-7020

**BR** = 900-3119, 900-7120 and 900-7020

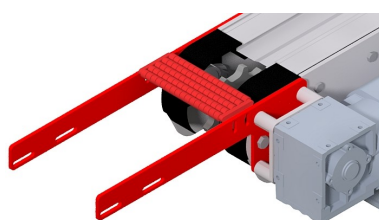
**CR** = 900-3118, 900-7130 and 900-7020, 7 mm level difference.

Order example: 140-30-HL1-2-24-AR

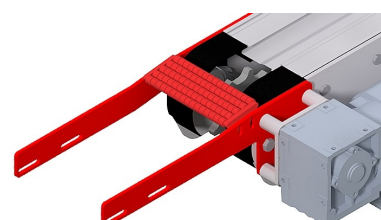
**AR**



**BR**



**CR**

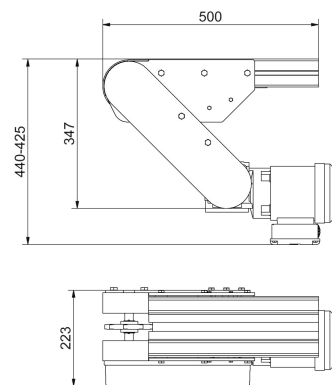
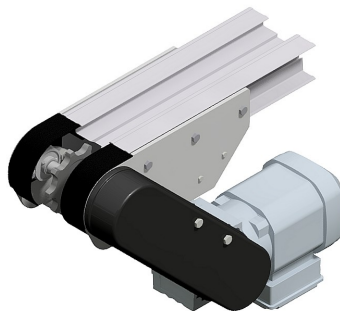


Series 140

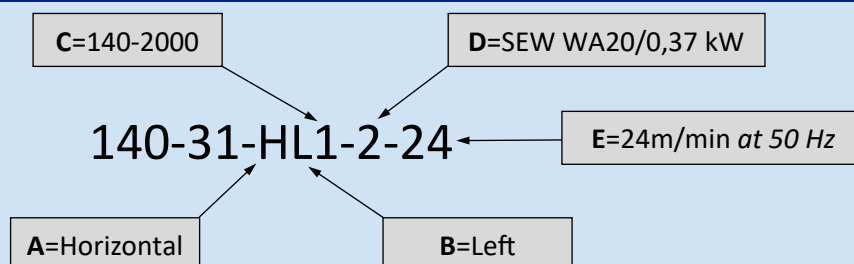
**140-31**

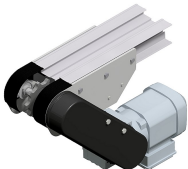
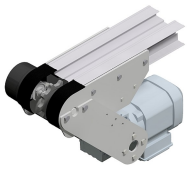
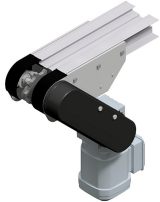
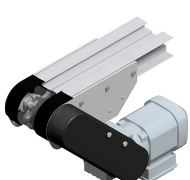
Drive unit with suspended motor S140.  
Configuration of default drive  
**140-31-ABC-D-E.**

If needed, roller transfers and brackets  
can be found on page 38.



Order example



<b>A:</b> <u>Assembly position</u>	<b>B:</b> <u>Placement</u>	<b>C:</b> <u>Conveyor chain</u>	<b>D:</b> <u>Motor/gear</u> <u>Power</u>	<b>E:</b> <u>Speed m/min</u> <u>at 50 Hz</u>
<b>H:</b> Horizontal  	<b>R:</b> Right  	<b>1:</b> 140-2000 140-2010	<b>1:</b> SEW WA20 0,25 kW	8    18    34 10    20    47 12    25 15    29
		<b>2:</b> 140-2081		<b>2:</b> SEW WA20 0,37 kW
<b>V:</b> Vertical  	<b>L:</b> Left  	<b>3:</b> 140-2079 140-2110 140-2179	<b>3:</b> SEW WA30 0,37 kW	6    15    30 8    18    34 10    20    48 12    25
		<b>4:</b> SEW WA30 0,55 kW		15    34 18    48 20 30
				<b>W</b> Without motor/gear. Assembly position and shaft prepared for selected place- ment. More options →

Series 140

Cont. 140-31

<b>D:</b> <b>Motor/gear</b> <b>Power</b>	<b>E:</b> <b>Speed m/min</b> <b>at 50 Hz</b>		
<b>5:</b> SEW SA37 0,37 kW	8 10 13 16	19 25 27 31	36
<b>6:</b> Lenze G500-B45 0,18 kW	13 15 17 19	21 25 28 31	36 41 45
<b>7:</b> Lenze G500-B110 0,18 kW	8 10 12 15	19 21 25 33	38 41
<b>8:</b> Lenze G500-B45 0,25 kW	19 22 25 28	32 36 41 46	
<b>9:</b> Lenze G500-B110 0,25 kW	11 12 15 19	21 25 27 31	38 42 46
<b>10:</b> Lenze G500-B45 0,37 kW	28 32 37 42	47	

<b>D:</b> <b>Motor/gear</b> <b>Power</b>	<b>E:</b> <b>Speed m/min</b> <b>at 50 Hz</b>		
<b>11:</b> Lenze G500-B110 0,37 kW	11 13 16 20	22 25 28 32	34 39 43 47
<b>12:</b> Lenze G500-B45 0,55 kW	26 28 32 37	42 47	
<b>13:</b> Lenze G500-B110 0,55 kW	17 20 22 25	28 31 39 43	47
<b>14:</b> Lenze Smart Motor G500-B45 max 0,47 kW	Adjustable speed 6-31 m/min		
<b>15:</b> Lenze Smart Motor G500-B45 max 0,47 kW	Adjustable speed 10-50 m/min		
	<b>W</b> Without motor/gear. Assembly position and shaft prepared for selected place- ment.		

If needed, roller transfers and brackets can be found on page 38.

## Series 140

### Cont. 140-31

#### Bracket for roller transfer and connecting strip between conveyors

The following configuration is listed on order number 140-31-ABC-D-E- **with an additional letter.**

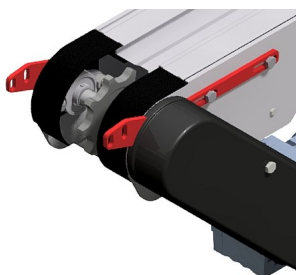
**A** = 900-7112.

**B** = 900-7120.

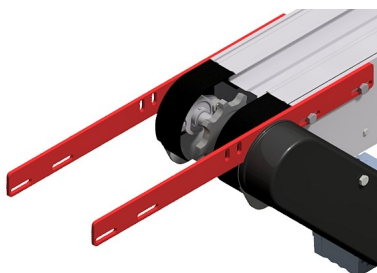
**C** = 900-7130, 7 mm level difference.

Order example: 140-31-HL1-2-24-A

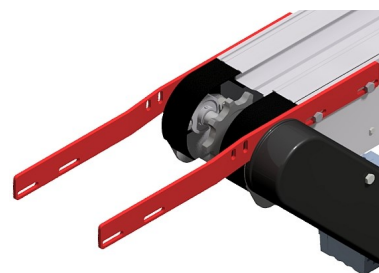
**A**



**B**



**C**



#### Bracket for roller transfer and connecting strip including roller transfer

The following configuration is listed on the existing order number 140-31-ABC-D-E- **with two extra letters.**

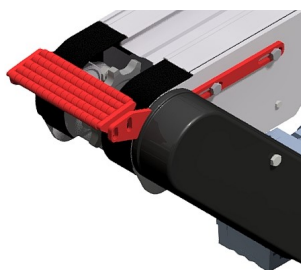
**AR** = 900-7112 and 900-7020

**BR** = 900-7120 and 900-7020

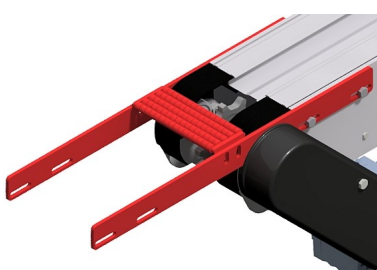
**CR** = 900-7130 and 900-7020, 7 mm level difference.

Order example: 140-31-HL1-2-24-AR

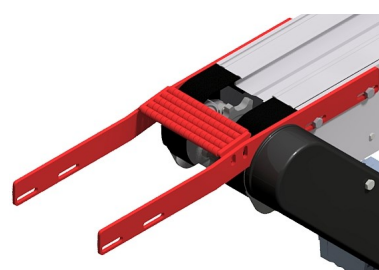
**AR**



**BR**



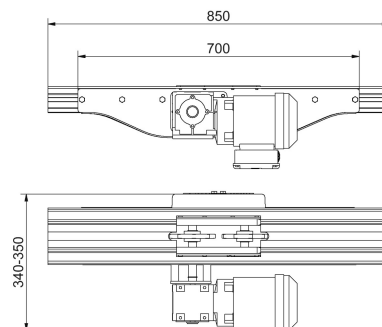
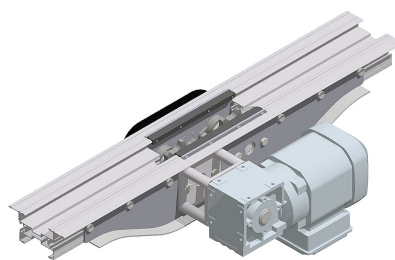
**CR**



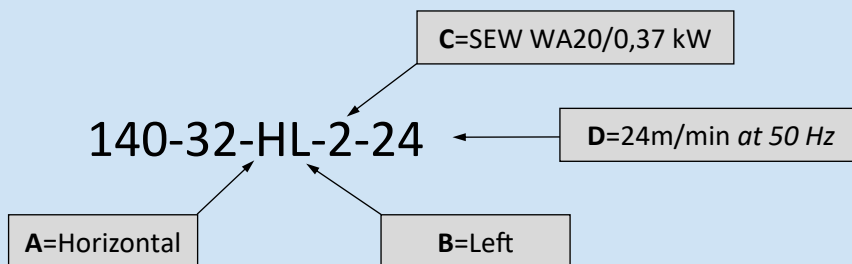
Series 140

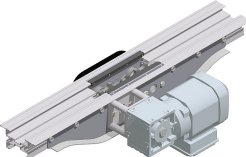
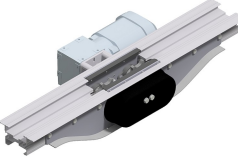
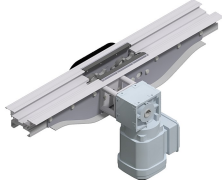
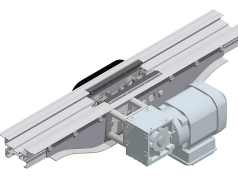
**140-32**

Drive unit with intermediate motor and return chain S140.  
Configuration of default drive  
**140-32-AB-C-D.**



Order example



<b>A:</b> <u>Assembly position</u>	<b>B:</b> <u>Placement</u>	<b>C:</b> <u>Motor/gear</u> <u>Power</u>	<b>D:</b> <u>Speed m/min</u> <u>at 50 Hz</u>		
<b>H:</b> Horizontal 	<b>R:</b> Right 	<b>1:</b> SEW WA20 0,25 kW	8	18	34
			10	20	47
<b>V:</b> Vertical 	<b>L:</b> Left 	<b>2:</b> SEW WA20 0,37 kW	12	25	
			15	29	
		<b>3:</b> SEW WA30 0,37 kW	18	34	
			20	48	
		<b>4:</b> SEW WA30 0,55 kW	25		
			30		
			<b>W</b> Without motor/gear. Assembly position and shaft prepared for selected placement. More options →		

Series 140

Cont. 140-32

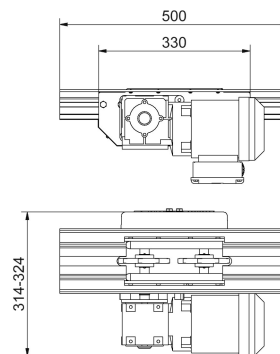
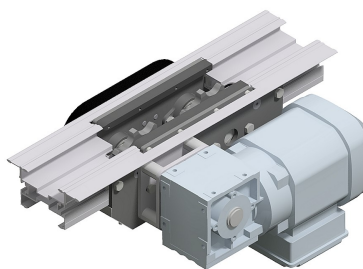
<b>C:</b> <b>Motor/gear</b> <b>Power</b>	<b>D:</b> <b>Speed m/min</b> <b>at 50 Hz</b>		
<b>5:</b> SEW SA37 0,37 kW	8 10 13 16	19 25 27 31	36
<b>6:</b> Lenze G500-B45 0,18 kW	13 15 17 19	21 25 28 31	36 41 45
<b>7:</b> Lenze G500-B110 0,18 kW	8 10 12 15	19 21 25 33	38 41
<b>8:</b> Lenze G500-B45 0,25 kW	19 22 25 28	32 36 41 46	
<b>9:</b> Lenze G500-B110 0,25 kW	11 12 15 19	21 25 27 31	38 42 46
<b>10:</b> Lenze G500-B45 0,37 kW	28 32 37 42	47	

<b>C:</b> <b>Motor/gear</b> <b>Power</b>	<b>D:</b> <b>Speed m/min</b> <b>at 50 Hz</b>		
<b>11:</b> Lenze G500-B110 0,37 kW	11 13 16 20	22 25 28 32	34 39 43 47
<b>12:</b> Lenze G500-B45 0,55 kW	26 28 32 37	42 47	
<b>13:</b> Lenze G500-B110 0,55 kW	17 20 22 25	28 31 39 43	47
<b>14:</b> Lenze Smart Motor G500-B45 max 0,47 kW	Adjustable speed 6-31 m/min		
<b>15:</b> Lenze Smart Motor G500-B45 max 0,47 kW	Adjustable speed 10-50 m/min		
	<b>W</b> Without motor/gear. Assembly position and shaft prepared for selected place- ment.		

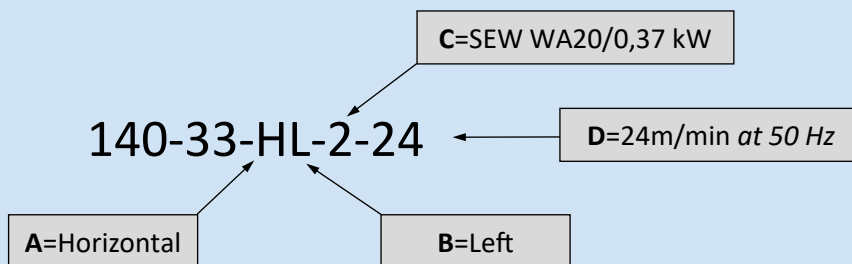
Series 140

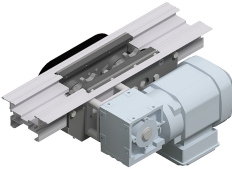
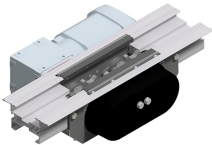
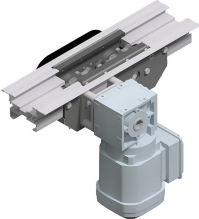
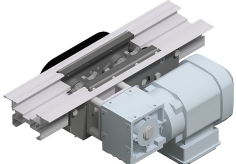
**140-33**

Catenary drive unit for circuit conveyor S140.  
Configuration of default drive **140-33-AB-C-D.**



Order example



<b>A:</b> <u>Assembly position</u>	<b>B:</b> <u>Placement</u>	<b>C:</b> <u>Motor/gear</u> <u>Power</u>	<b>D:</b> <u>Speed m/min</u> <u>at 50 Hz</u>
<b>H:</b> Horizontal 	<b>R:</b> Right 	<b>1:</b> SEW WA20 0,25 kW	8    18    34 10    20    47 12    25 15    29
		<b>2:</b> SEW WA20 0,37 kW	18    34 20    48 25 30
<b>V:</b> Vertical 	<b>L:</b> Left 	<b>3:</b> SEW WA30 0,37 kW	6    15    30 8    18    34 10    20    48 12    25
		<b>4:</b> SEW WA30 0,55 kW	15    34 18    48 20 30
			<b>W</b> Without motor/gear. Assembly position and shaft prepared for selected place- ment. More options →

Series 140

Cont. 140-33

<b>C:</b> <b>Motor/gear</b> <b>Power</b>	<b>D:</b> <b>Speed m/min</b> <b>at 50 Hz</b>		
<b>5:</b> SEW SA37 0,37 kW	8 10 13 16	19 25 27 31	36
<b>6:</b> Lenze G500-B45 0,18 kW	13 15 17 19	21 25 28 31	36 41 45
<b>7:</b> Lenze G500-B110 0,18 kW	8 10 12 15	19 21 25 33	38 41
<b>8:</b> Lenze G500-B45 0,25 kW	19 22 25 28	32 36 41 46	
<b>9:</b> Lenze G500-B110 0,25 kW	11 12 15 19	21 25 27 31	38 42 46
<b>10:</b> Lenze G500-B45 0,37 kW	28 32 37 42	47	

<b>C:</b> <b>Motor/gear</b> <b>Power</b>	<b>D:</b> <b>Speed m/min</b> <b>at 50 Hz</b>		
<b>11:</b> Lenze G500-B110 0,37 kW	11 13 16 20	22 25 28 32	34 39 43 47
<b>12:</b> Lenze G500-B45 0,55 kW	26 28 32 37	42 47	
<b>13:</b> Lenze G500-B110 0,55 kW	17 20 22 25	28 31 39 43	47
<b>14:</b> Lenze Smart Motor G500-B45 max 0,47 kW	Adjustable speed 6-31 m/min		
<b>15:</b> Lenze Smart Motor G500-B45 max 0,47 kW	Adjustable speed 10-50 m/min		
	<b>W</b> Without motor/gear. Assembly position and shaft prepared for selected place- ment.		

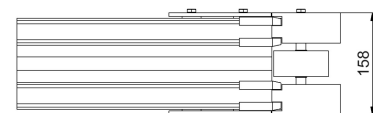
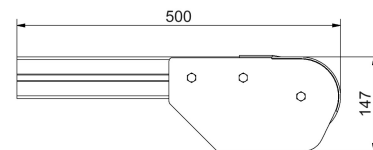
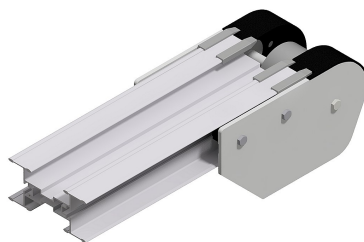


Series 140

### Idler unit

Standard idler unit to S140  
Weight 2900 g

Part no. 140-4005



### Bracket for roller transfer and bracket including roller transfer

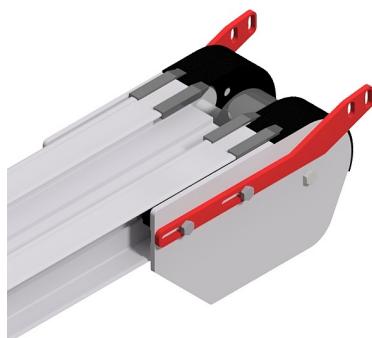
The following configuration is listed on order number 140-4005- with an additional letter.

A = 900-7111

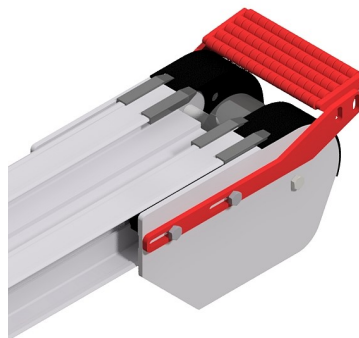
AR = 900-7111 and 900-7020

Order example: 140-4005-A

A



AR



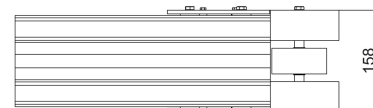
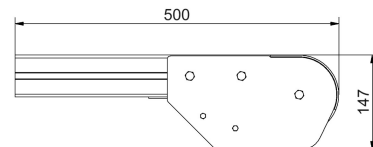
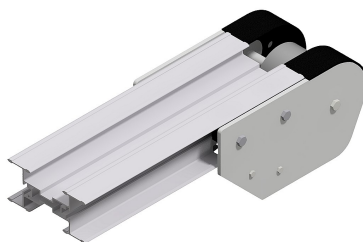
Series 140

**Idler unit**

Used as front idler unit for conveyor where drive unit 140-32 is included.  
Configuration of idler unit

**Part no. 140-4055-A**

If needed, roller transfers and brackets can be found on page 45.



**Order example**

**140-4055-1** ← **A=140-2000**

<u>A:</u> <u>Conveyor chain</u>		
<b>1:</b> 140-2000 140-2010	<b>2:</b> 140-2081	<b>3:</b> 140-2079 140-2110 140-2179

## Series 140

Cont. 140-4055-A

### Bracket for roller transfer and connecting strip between conveyors

The following configuration is listed on order number 140-4055-A- **with one additional letter**.

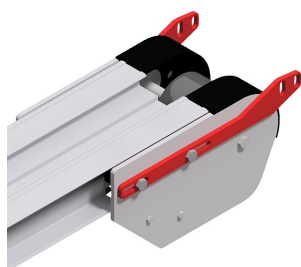
**A** = 900-7112.

**B** = 900-7120.

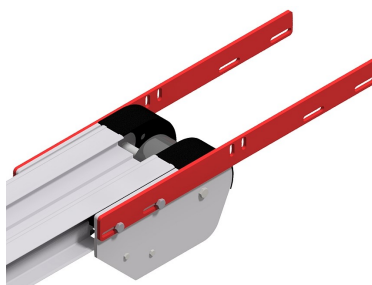
**C** = 900-7130, 7 mm level difference.

Order example: 140-4055-1-A

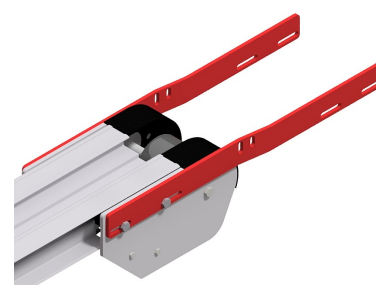
**A**



**B**



**C**



### Bracket for roller transfer and connecting strip including roller transfer

The following configuration is listed on the existing order number 140-4055-1- **with two extra letters**.

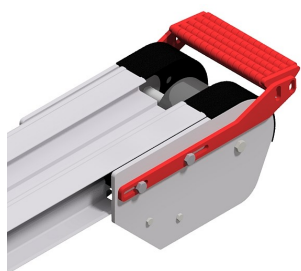
**AR** = 900-7112 and 900-7020

**BR** = 900-7120 and 900-7020

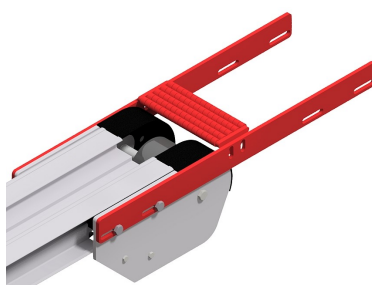
**CR** = 900-7130 and 900-7020, 7 mm level difference.

Order example: 140-4055-1-AR

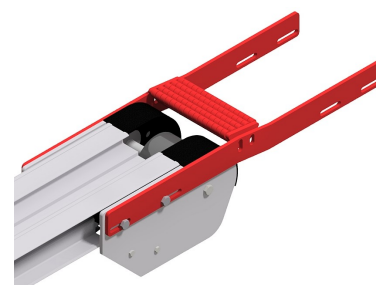
**AR**



**BR**



**CR**



Series 140

**Wheel bend**

Standard wheel bend S140 with R200 mm  
Anodized aluminum and wheel in plastic.

Wheel bend configuration

**Part no. 140-5055-A**

A= Angle of bend

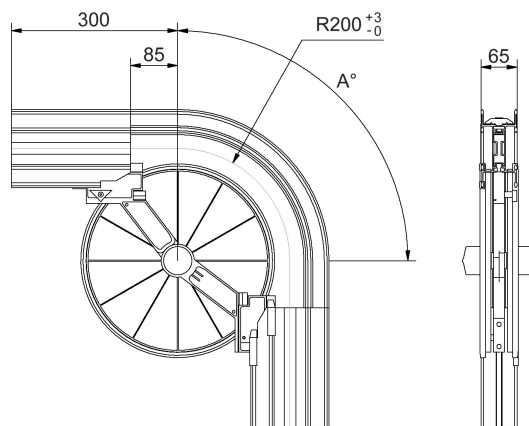
Standard angles for R200
A = 45°
A = 90°
A = 180°

Other angles are manufactured on request  
connecting strip 100-7010 is ordered separately

Order example

**140-5055-45**

**A= 45°**

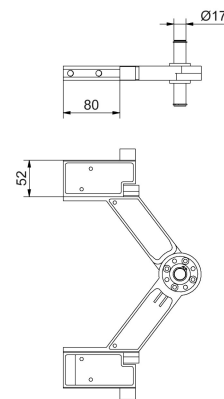
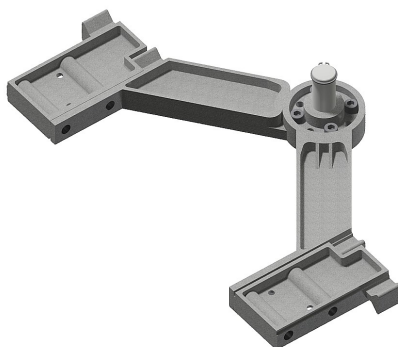


Series 140

### Adjustable support assembly

Support assembly for wheel bend R200 and S140  
 Complete with shaft  
 Zink die-cast and stainless steel  
 Weight 1380 g

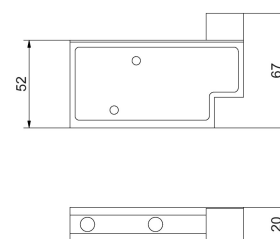
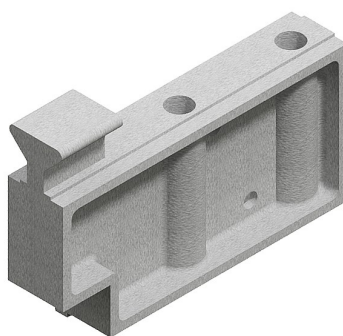
Part no. 830-5056



### Spacer

For adjustable support assembly  
 Zink die-cast  
 Weight 240 g

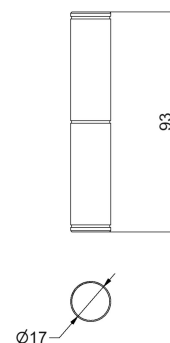
Part no. 830-5057



### Shaft

For wheel bend curve R200  
 Stainless steel  
 Weight 22 g

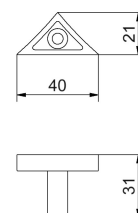
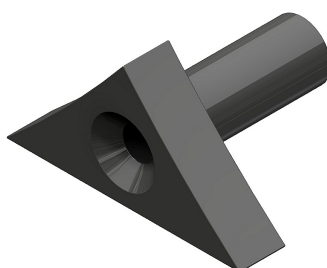
Part no. 830-5058



### Pinch guard

For wheel bend R200  
 Black polyamide  
 Weight 11 g

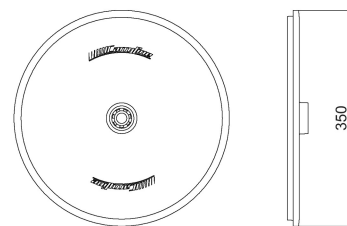
Part no. 140-5059



Series 140

### Wheel bend disc

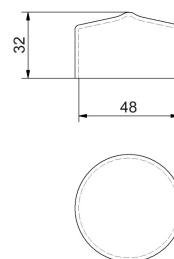
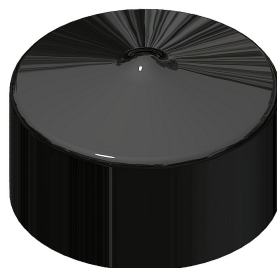
To wheel bend R200  
Complete with bearing 6203-2Z  
Black nylon  
Weight 825 g



**Part no. 830-5060**

### Plastic cover

To wheel bend Ø350  
Black pvc  
Weight 15 g



**Part no. 830-5062**

Series 140

**Plain bend**

Standard plain bend S140  
 R600 consists of an aluminum profile  
 Other radius of two aluminum profiles and plastic clamp.

Plain bend configuration

**Part no. 140-5375-A-B**

A= Bend radius

B= Angle on bend

The following radius and angles are standard

A = Radius	B = Angle
300 mm	15°, 30°, 45°, 90°, 180°
400 mm	15°, 30°, 45°, 90°, 180°
600 mm	15°, 30°, 45°, 90°, 180°
900 mm	15°, 30°, 45°, 90°, 180°

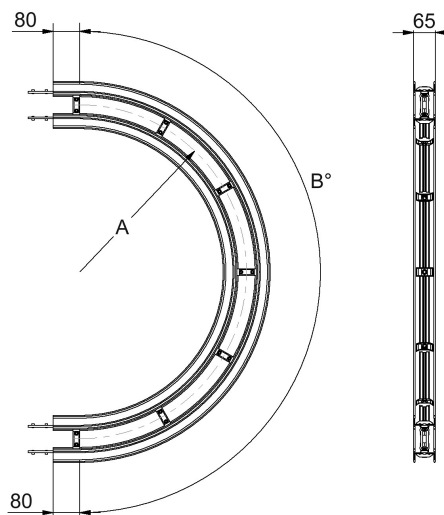
Other radius and angles are manufactured on request

Order example

**140-5375-600-90**

A= 600 mm

B= 90°



Series 140

**Vertical bend**

Standard vertical bend R400  
Anodized aluminum and curve clamps in plastic

Vertical bend configuration  
**Part no. 140-5645-A**

A= Angle on bend

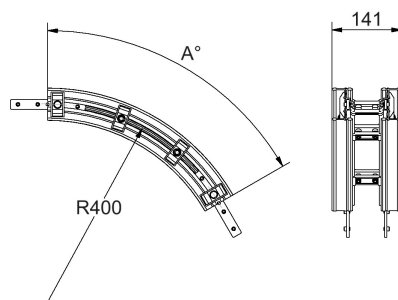
Standard angles for R400
A = 10°
A = 15°
A = 20°
A = 30°
A = 45°
A = 60°
A = 90°

Other radius and angles are manufactured on request.  
Minimum 10°

Order example

**140-5645-45**

**A= 45°**





Series 140

**Vertical bend**

Standard vertical bend R860  
Anodized aluminum and curve clamps in plastic

Vertical bend configuration  
**Part no. 140-5695-A**

A= Angle on bend

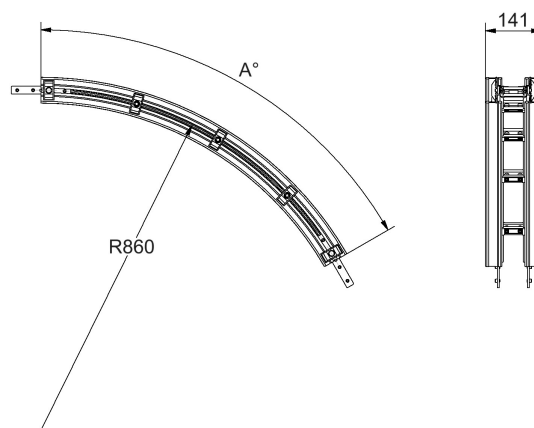
Standard angles for R860
A = 5°
A = 10°
A = 15°
A = 20°
A = 30°
A = 45°
A = 60°
A = 90°

Other radius and angles are manufactured on request.  
Minimum 5°

Order example

140-5695-45

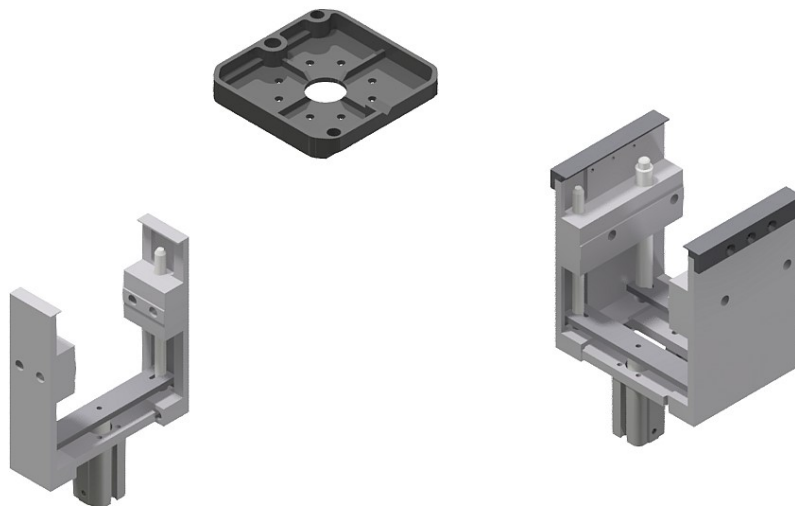
A= 45°





STEP-files S200

# S200

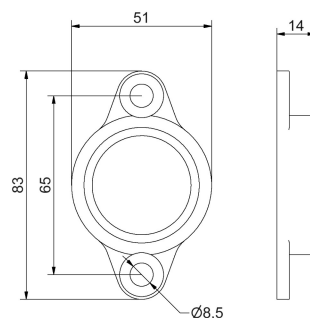


Series 200

**Bearing house**

Bearing house for bearing 6004  
 Black reinforced nylon  
 Weight 15 g

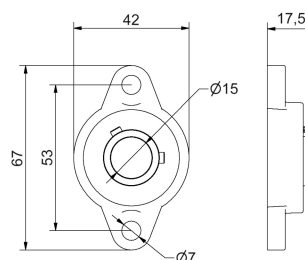
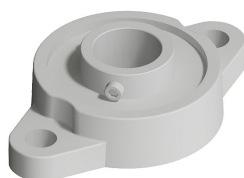
**Part no. 200-6050**



**Flange bearing UFL002**

Cast aluminum and steel  
 Weight 88 g

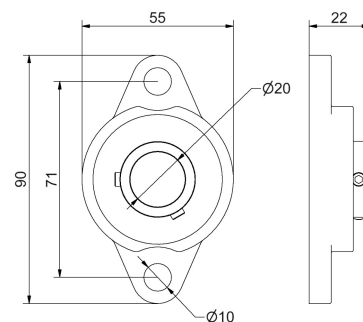
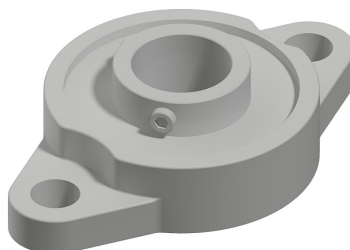
**Part no. 200-6060**



**Flange bearing UFL004**

Cast aluminum and steel  
 Weight 202 g

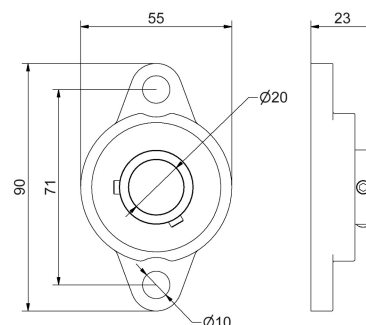
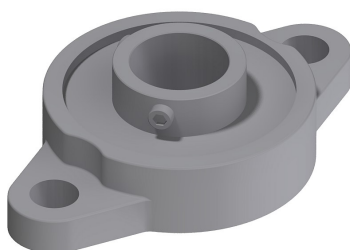
**Part no. 200-6070**



**Flange bearing UFL004 SS**

Cast stainless steel  
 Weight 229 g

**Part no. 500-3290**

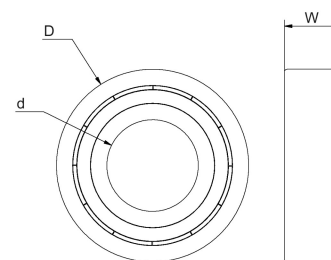
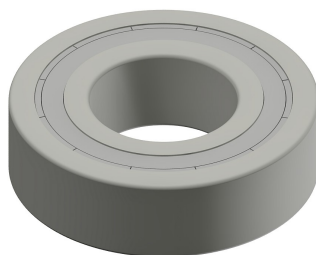


Series 200

**Ball bearing**

Standard ball bearing with sealing plate.

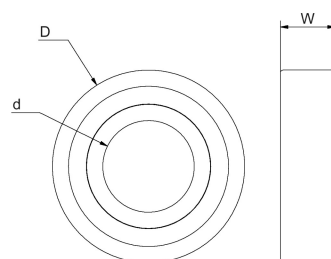
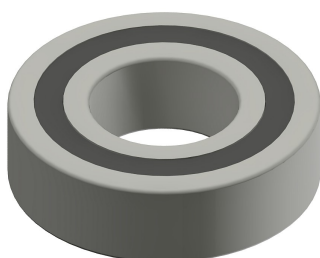
Part no.	d	D	W	Weight
6202-2Z	15	35	11	47g
6003-2Z	17	35	10	41 g
6203-2Z	17	40	12	67 g
6004-2Z	20	42	12	70 g



**Stainless steel ball bearing**

Stainless steel ball bearing with rubber seal

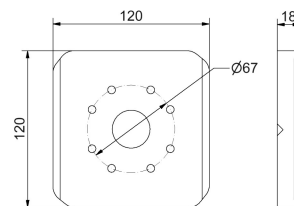
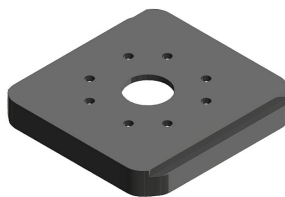
Part no.	d	D	W	Weight
SS6202-2RS	15	35	11	44 g
SS6003-2RS	17	35	10	39 g
SS6203-2RS	17	40	12	64 g
SS6004-2RS	20	42	12	66 g



Series 200

**Pallet**

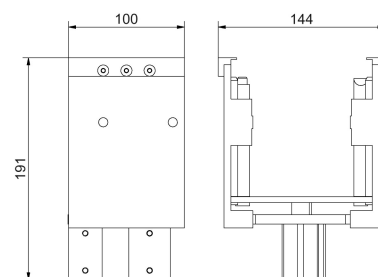
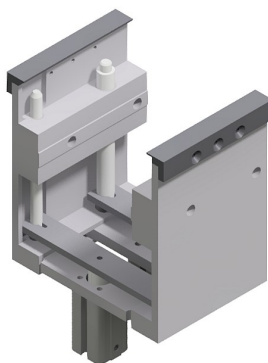
Pallet with stainless steel pin for detection with inductive sensors. Used with conveyor S830 and guide rail 300-3050.  
Black polyamid and stainless steel.



**Part no. 200-7020**

**Pallet station**

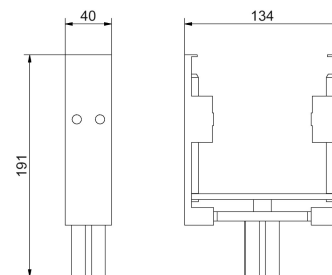
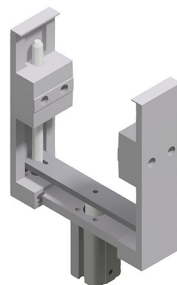
Stop and fix for pallet 200-7020 including 2 pcs pneumatic cylinders .  
Anodized aluminum and steel.



**Part no. 200-7000**

**Pallet station**

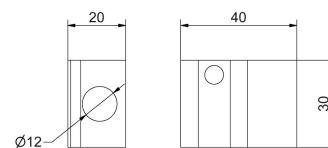
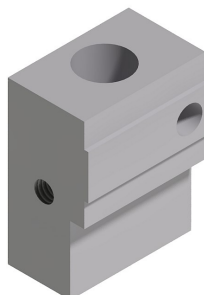
Stop unit for pallet 200-7020 including 1 pcs pneumatic cylinder.  
Anodized aluminum and steel.



**Part no. 200-7010**


**Sensor bracket**

Sensor bracket for sensor size M12.  
Anodized aluminum and steel.



**Part no. 14732**

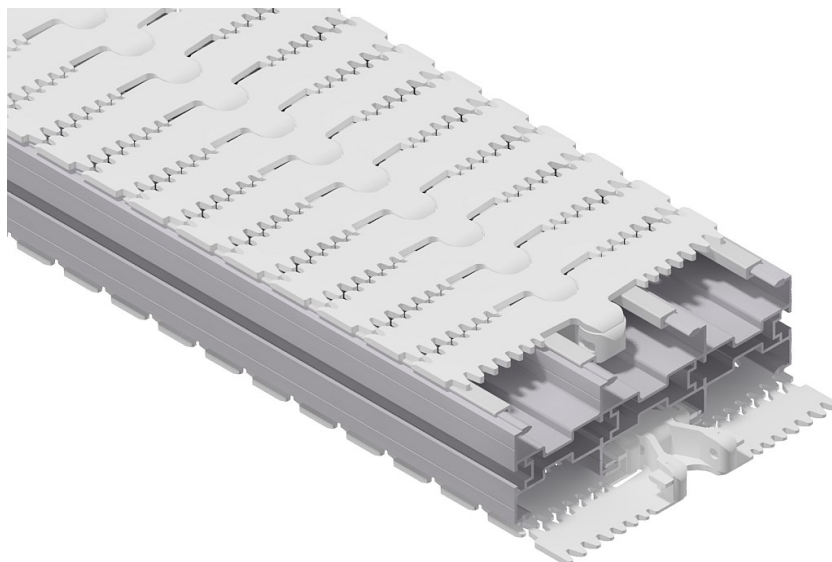


 STEP-files S220

# S220



Series 220

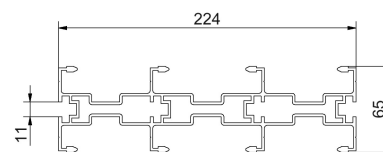
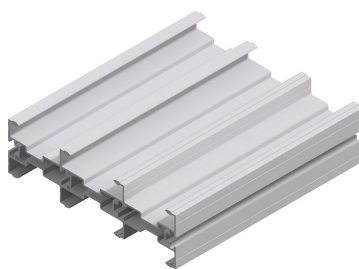


Technical specification S220	
Width of chain	220 mm
Chain pitch	38 mm
Width conveyor profile	224 mm
Height conveyor	80 mm
Radius conveyor chain on the drive and idler unit	70 mm
Max. permitted traction on the conveyor chain	1250 N
Weight conveyor	≈ 11,5 kg/m **
Recommended maximum load on conveyor	≈ 200 kg *
Recommended maximum load	≈ 20 kg/m *
Recommended maximum length of conveyor	≈ 20 m *
Recommended maximum speed	40 m/min
Minimum radius on horizontal bend	R 600 mm
Vertical bend radius	R 400 mm and R 860 mm
Motor	0,18 - 0,55 kW
Noise level	< 70 dB (A)
Chain material	Acetal
Conveyor profile material	Anodized aluminum
* Recommended maximum length depends on the design, load and number of bends.	
** The weight of the conveyor depends on which type of chain, guide rail and guide rail bracket.	

Series 220

### Conveyor profile S220

Anodized aluminum  
Weight 5400 g/m  
Length 5.8 m  
Qty/package 5 pcs



**Part no. 220-1000**



Series 220

### Conveyor chain S220

Acetal, nylon and stainless steel.  
 Standard version top flights are made of white acetal which is food approved  
 Allowed traction force 1250 N.

On request, chain and top flight can be delivered in non-standard material.  
 Enter the following additional letter.

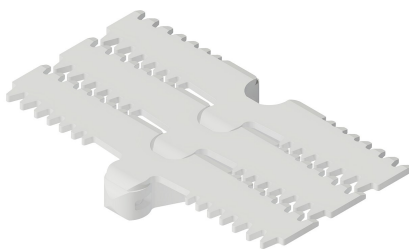
- L = Low friction
- F = Flocked

Order example 220-2000L

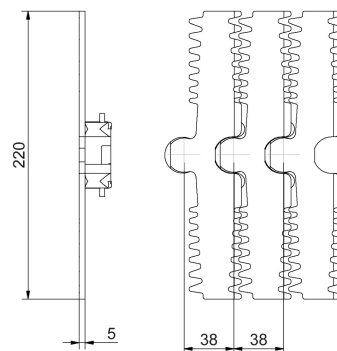
### Finger chain

Slat standard chain for S220 and S560  
 Weight 2160 g/m  
 Qty 27 pcs/m

**Part no. 220-2000**



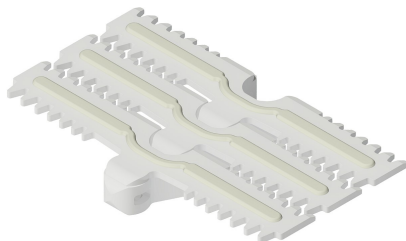
Top flight for standard chain  
**Part no. 220-2001**



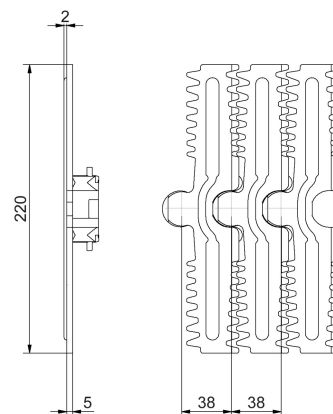
### Finger chain friction

Standard chain with friction top flight  
 for S220 and S560  
 Weight 2211 g/m  
 Qty 27 pcs/m

**Part no. 220-2010**



Top flight for standard chain  
**Part no. 220-2011**

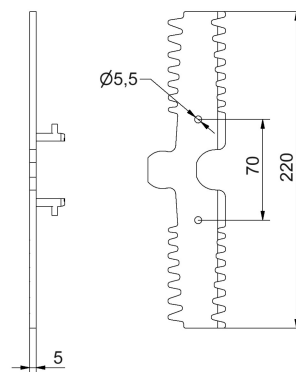
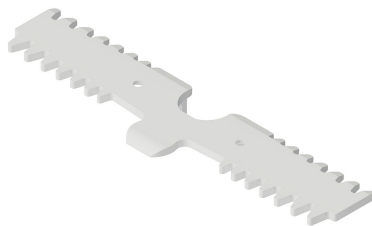


Series 220

**Top flight for carrier**

For S220 and S560  
Weight 46 g

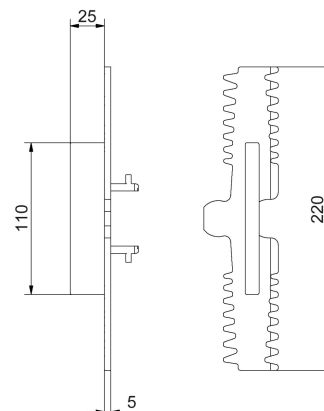
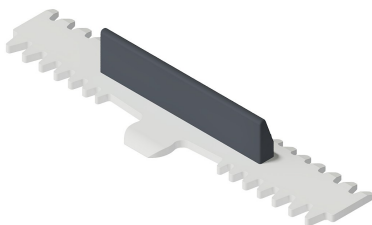
Part no. 220-2075



**Top flight with carrier**

For S220 and S560  
Weight 70 g

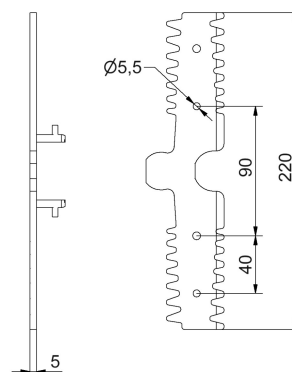
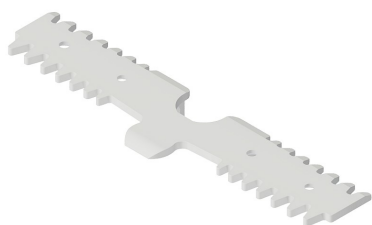
Part no. 220-2081



**Top flight for carrier**

For S220 and S560  
Weight 45 g

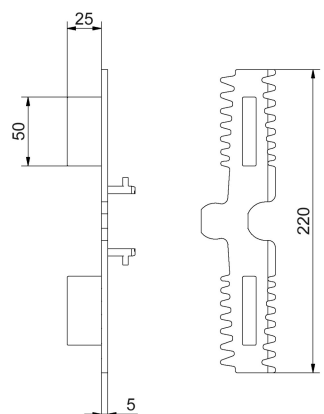
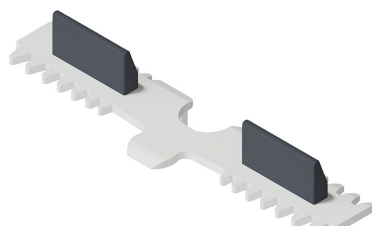
Part no. 220-2085



**Top flight with carrier**

For S220 and S560  
Weight 75 g

Part no. 220-2086



Series 220

**220-30**

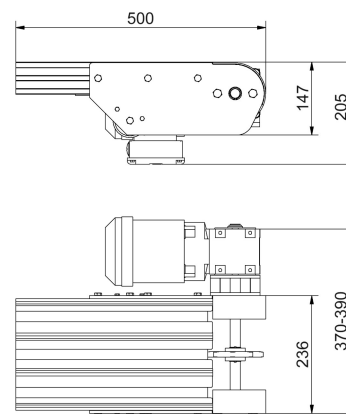
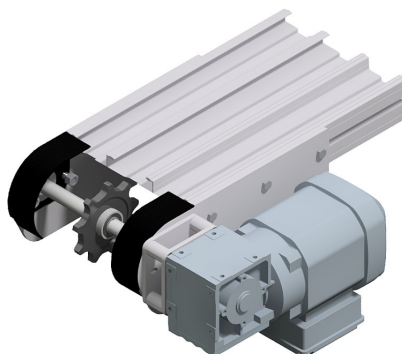
Drive unit with direct transmission S220.

Configuration of default drive with direct transmission. **220-30-ABC-D-E.**

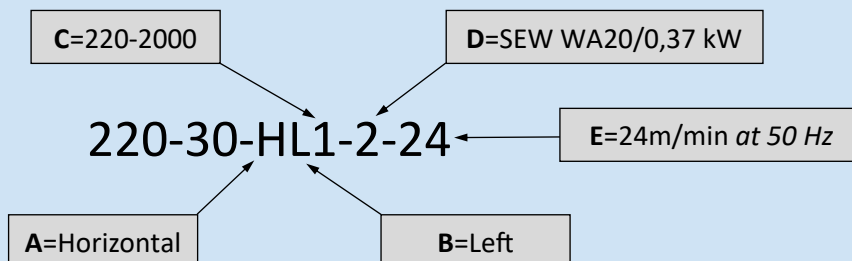
If needed, roller transfers and brackets can be found on page 62.

Weight without motor 5900 g

Weight with motor 12900-18900 g



Order example



<b>A:</b> <u>Assembly position</u>	<b>B:</b> <u>Placement</u>	<b>C:</b> <u>Conveyor chain</u>	<b>D:</b> <u>Motor/gear</u> <u>Power</u>	<b>E:</b> <u>Speed m/min</u> <u>at 50 Hz</u>
<b>H:</b> Horizontal 	<b>R:</b> Right 	<b>1:</b> 220-2000 220-2010	<b>1:</b> SEW WA20 0,25 kW	8    18    34 10    20 12    25 15    29
		<b>2:</b> 220-2081		<b>2:</b> SEW WA20 0,37 kW
<b>V:</b> Vertical 	<b>L:</b> Left 	<b>3:</b> 220-2086	<b>3:</b> SEW WA30 0,37 kW	6    15    30 8    18    34 10    20 12    25
				<b>4:</b> SEW WA30 0,55 kW
				<b>W</b> Without motor/gear. Assembly position and shaft prepared for selected place- ment. More options →

Series 220

Cont. 220-30

<b>D:</b> <u>Motor/gear</u> <u>Power</u>	<b>E:</b> <u>Speed m/min</u> <u>at 50 Hz</u>		
<b>5:</b> SEW SA37 0,37 kW	8 10 13 16	19 25 27 31	36
<b>6:</b> Lenze G500-B45 0,18 kW	13 15 17 19	21 25 28 31	36
<b>7:</b> Lenze G500-B110 0,18 kW	8 10 12 15	19 21 25 33	38
<b>8:</b> Lenze G500-B45 0,25 kW	19 22 25 28	32 36	
<b>9:</b> Lenze G500-B110 0,25 kW	11 12 15 19	21 25 27 31	38
<b>10:</b> Lenze G500-B45 0,37 kW	28 32 37		

<b>D:</b> <u>Motor/gear</u> <u>Power</u>	<b>E:</b> <u>Speed m/min</u> <u>at 50 Hz</u>		
<b>11:</b> Lenze G500-B110 0,37 kW	11 13 16 20	22 25 28 32	34 39
<b>12:</b> Lenze G500-B45 0,55 kW		26 28 32 37	
<b>13:</b> Lenze G500-B110 0,55 kW	17 20 22 25	28 31 39	
<b>14:</b> Lenze Smart Motor G500-B45 max 0,47 kW			Adjustable speed 6-31 m/min
<b>15:</b> Lenze Smart Motor G500-B45 max 0,47 kW			Adjustable speed 10-50 m/min
			<b>W</b> Without motor/gear. Assembly position and shaft prepared for selected place- ment.

If needed, roller transfers and brackets can be found on page 62.

## Series 220

### Cont. 220-30

#### Bracket for roller transfer and connecting strip between conveyors

The following configuration is listed on order number 220-30-ABC-D-E- **with one additional letter.**

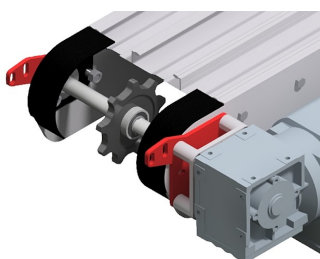
**A** = 900-3117 and 900-7112.

**B** = 900-3119 and 900-7120.

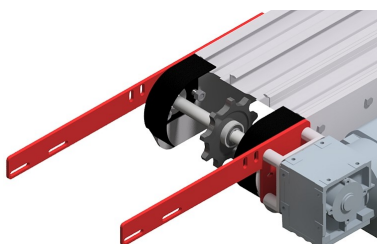
**C** = 900-3118 and 900-7130, 7 mm level difference between.

Order example: 220-30-HL1-2-24-A

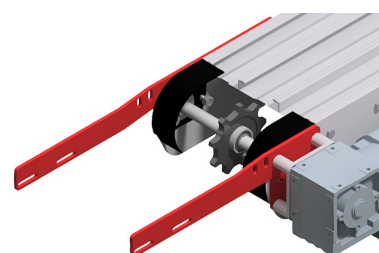
**A**



**B**



**C**



#### Bracket for roller transfer and connecting strip including roller transfer

The following configuration is listed on the existing order number 220-30-ABC-D-E- **with two extra letters.**

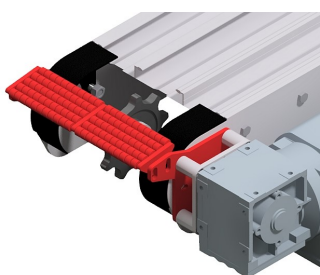
**AR** = 900-3117, 900-7112 and 900-7030

**BR** = 900-3119, 900-7120 and 900-7030

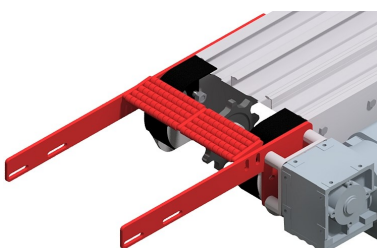
**CR** = 900-3118, 900-7130 and 900-703, 7 mm level difference between conveyor

Order example: 220-30-HL1-2-24-AR

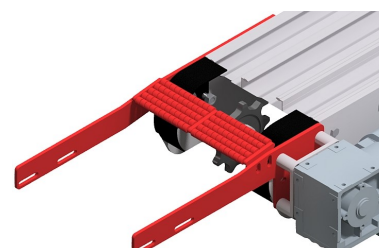
**AR**



**BR**



**CR**



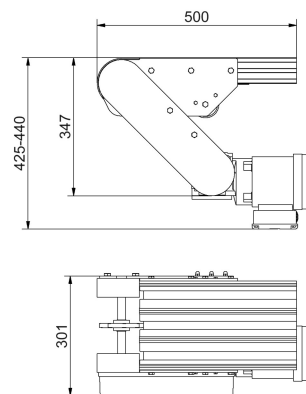
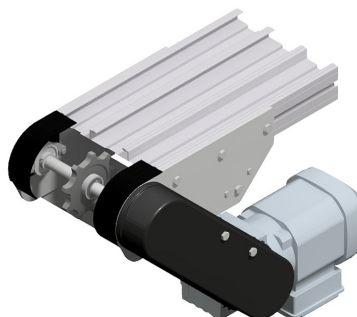
Series 220

**220-31**

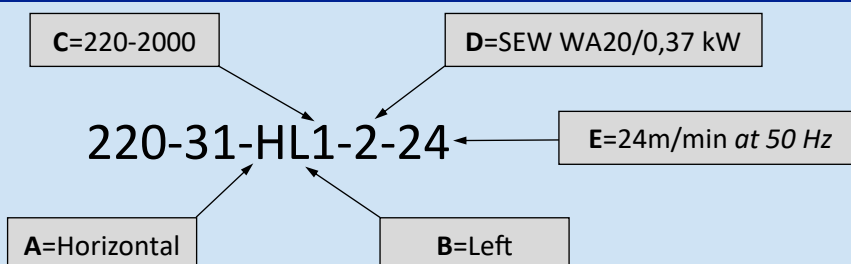
Drive unit with suspended motor S220.  
Configuration of default drive

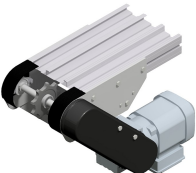
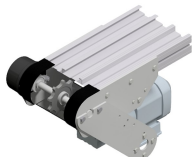
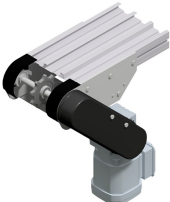
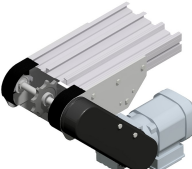
**220-31-ABC-D-E.**

If needed, roller transfers and brackets can be found on page 65.



Order example



<b>A:</b> <u>Assembly position</u>	<b>B:</b> <u>Placement</u>	<b>C:</b> <u>Conveyor chain</u>	<b>D:</b> <u>Motor/gear</u> <u>Power</u>	<b>E:</b> <u>Speed m/min</u> <u>at 50 Hz</u>
<b>H:</b> Horizontal 	<b>R:</b> Right 	<b>1:</b> 220-2000 220-2010	<b>1:</b> SEW WA20 0,25 kW	8    18    34 10    20 12    25 15    29
		<b>2:</b> 220-2081		<b>2:</b> SEW WA20 0,37 kW
<b>V:</b> Vertical 	<b>L:</b> Left 	<b>3:</b> 220-2086	<b>3:</b> SEW WA30 0,37 kW	6    15    30 8    18    34 10    20 12    25
				<b>4:</b> SEW WA30 0,55 kW
				<b>W</b> Without motor/gear. Assembly position and shaft prepared for selected place- ment. More options →

Series 220

Cont. 220-31

<b>D:</b> <u>Motor/gear</u> <u>Power</u>	<b>E:</b> <u>Speed m/min</u> <u>at 50 Hz</u>		
<b>5:</b> SEW SA37 0,37 kW	8 10 13 16	19 25 27 31	36
<b>6:</b> Lenze G500-B45 0,18 kW	13 15 17 19	21 25 28 31	36
<b>7:</b> Lenze G500-B110 0,18 kW	8 10 12 15	19 21 25 33	38
<b>8:</b> Lenze G500-B45 0,25 kW	19 22 25 28	32 36	
<b>9:</b> Lenze G500-B110 0,25 kW	11 12 15 19	21 25 27 31	38
<b>10:</b> Lenze G500-B45 0,37 kW	28 32 37		

<b>D:</b> <u>Motor/gear</u> <u>Power</u>	<b>E:</b> <u>Speed m/min</u> <u>at 50 Hz</u>		
<b>11:</b> Lenze G500-B110 0,37 kW	11 13 16 20	22 25 28 32	34 39
<b>12:</b> Lenze G500-B45 0,55 kW		26 28 32 37	
<b>13:</b> Lenze G500-B110 0,55 kW	17 20 22 25	28 31 39	
<b>14:</b> Lenze Smart Motor G500-B45 max 0,47 kW			Adjustable speed 6-31 m/min
<b>15:</b> Lenze Smart Motor G500-B45 max 0,47 kW			Adjustable speed 10-50 m/min
			<b>W</b> Without motor/gear. Assembly position and shaft prepared for selected place- ment.

If needed, roller transfers and brackets can be found on page 65.

## Series 220

### Cont. 220-31

#### Bracket for roller transfer and connecting strip between conveyors

The following configuration is listed on order number 220-31-ABC-D-E- **with one additional letter.**

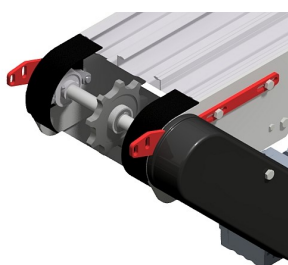
A = 900-7112.

B = 900-7120.

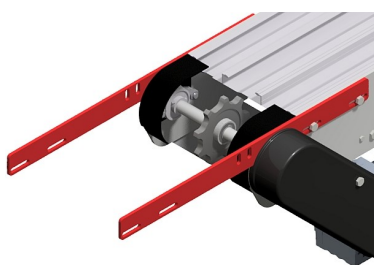
C = 900-7130, 7 mm level difference

Order example: 220-31-HL1-2-24-A

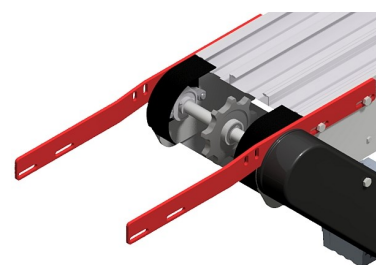
A



B



C



#### Bracket for roller transfer and connecting strip including roller transfer

The following configuration is listed on the existing order number 220-31-ABC-D-E- **with two extra letters.**

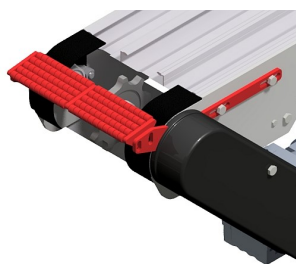
AR = 900-7112 and 900-7030

BR = 900-7120 and 900-7030

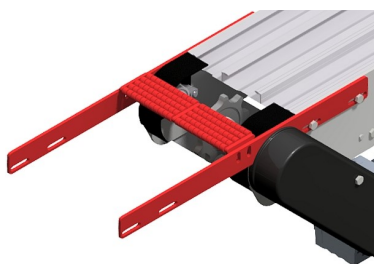
CR = 900-7130 and 900-7030, 7 mm level difference between conveyors.

Order example 220-31-HL1-2-24-AR

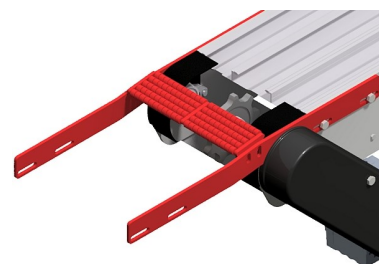
AR



BR



CR

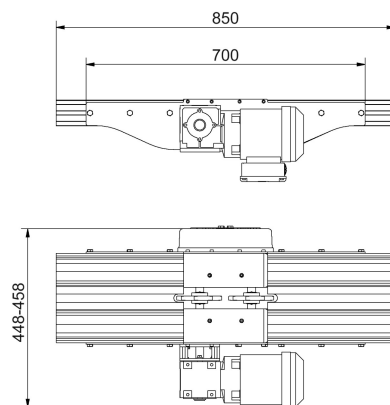
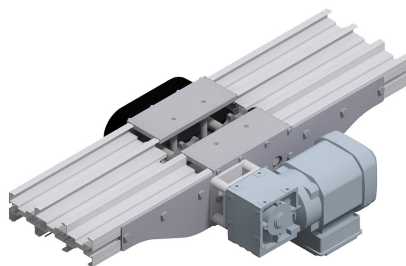




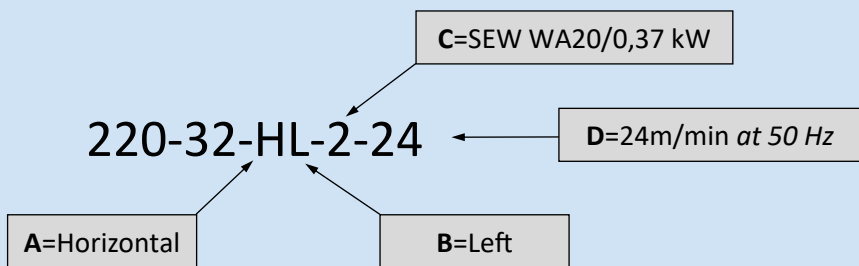
Series 220

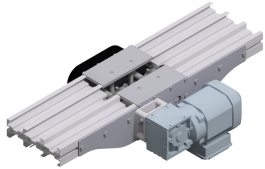
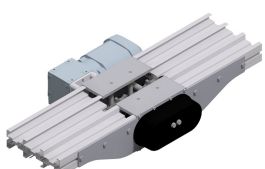
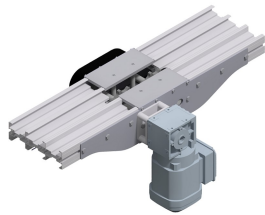
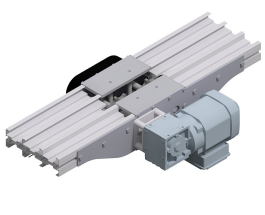
**220-32**

Drive unit with intermediate motor and returnchain S220.  
Configuration of default drive  
**220-32-AB-C-D.**



Order example



<b>A:</b> <u>Assembly position</u>	<b>B:</b> <u>Placement</u>	<b>D:</b> <u>Motor/gear</u> <u>Power</u>	<b>E:</b> <u>Speed m/min</u> <u>at 50 Hz</u>
<b>H:</b> Horizontal 	<b>R:</b> Right 	<b>1:</b> SEW WA20 0,25 kW	8    18    34 10    20 12    25 15    29
		<b>2:</b> SEW WA20 0,37 kW	18    34 20 25 30
<b>V:</b> Vertical 	<b>L:</b> Left 	<b>3:</b> SEW WA30 0,37 kW	6    15    30 8    18    34 10    20 12    25
		<b>4:</b> SEW WA30 0,55 kW	15    34 18 20 30
			<b>W</b> Without motor/gear. Assembly position and shaft prepared for selected place- ment. More options →

Series 220

Cont. 220-32

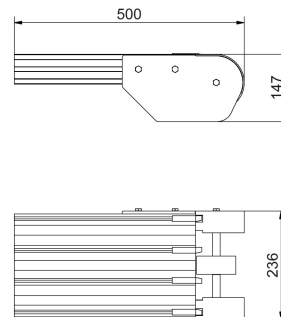
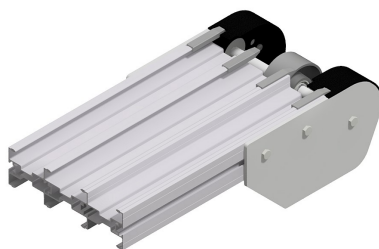
<b>D:</b> <u>Motor/gear</u> <u>Power</u>	<b>E:</b> <u>Speed m/min</u> <u>at 50 Hz</u>		
<b>5:</b> SEW SA37 0,37 kW	8 10 13 16	19 25 27 31	36
<b>6:</b> Lenze G500-B45 0,18 kW	13 15 17 19	21 25 28 31	36
<b>7:</b> Lenze G500-B110 0,18 kW	8 10 12 15	19 21 25 33	38
<b>8:</b> Lenze G500-B45 0,25 kW	19 22 25 28	32 36	
<b>9:</b> Lenze G500-B110 0,25 kW	11 12 15 19	21 25 27 31	38
<b>10:</b> Lenze G500-B45 0,37 kW	28 32 37		

<b>D:</b> <u>Motor/gear</u> <u>Power</u>	<b>E:</b> <u>Speed m/min</u> <u>at 50 Hz</u>		
<b>11:</b> Lenze G500-B110 0,37 kW	11 13 16 20	22 25 28 32	34 39
<b>12:</b> Lenze G500-B45 0,55 kW		26 28 32 37	
<b>13:</b> Lenze G500-B110 0,55 kW	17 20 22 25	28 31 39	
<b>14:</b> Lenze Smart Motor G500-B45 max 0,47 kW			Adjustable speed 6-31 m/min
<b>15:</b> Lenze Smart Motor G500-B45 max 0,47 kW			Adjustable speed 10-50 m/min
			<b>W</b> Without motor/gear. Assembly position and shaft prepared for selected place- ment.

### Idler unit

Standard idler unit to S220  
Weight 3900 g

Part no. 220-4005



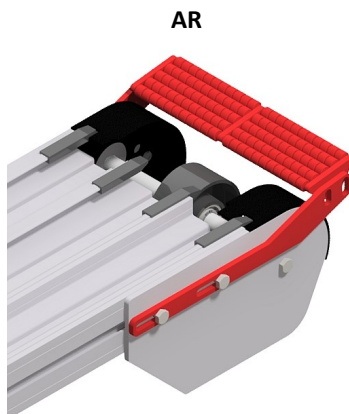
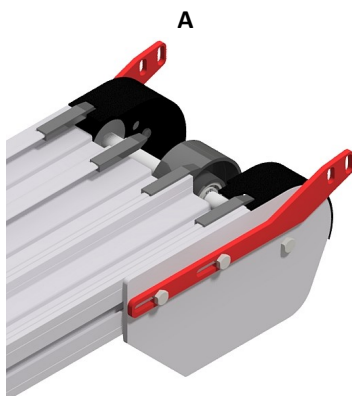
### Bracket for roller transfer and bracket including roller transfer

The following configuration is listed on order number 220-4005- **with an additional letter**.

**A** = 900-7111

**AR** = 900-7111 and 900-7030

Order example: 220-4005-A



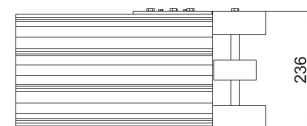
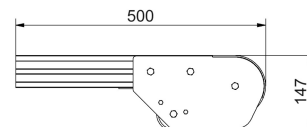
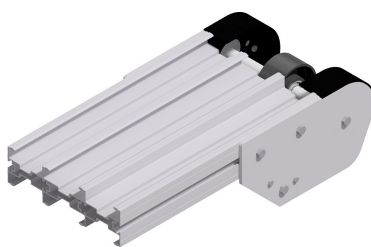
Series 220

**Idler unit**

Used as front idler unit for conveyor where drive unit 220-32 is included.  
Configuration of idler unit

**Part no. 220-4055-A**

If needed, roller transfers and brackets can be found on page 71.



**Order example**

A=220-2000

**220-4055-1**

<b>A:</b> <b><u>Conveyor chain</u></b>		
<b>1:</b> 220-2000 220-2010	<b>2:</b> 220-2081	<b>3:</b> 220-2086

## Series 220

### Cont. 220-4055-A

#### Bracket for roller transfer and connecting strip between conveyors

The following configuration is listed on order number 220-4055-A- **with one additional letter**.

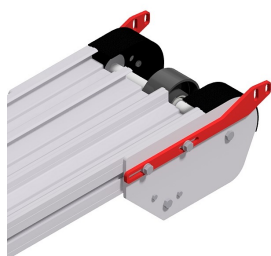
**A** = 900-7112.

**B** = 900-7120.

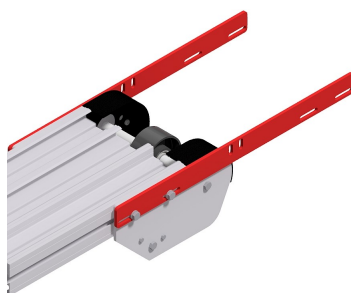
**C** = 900-7130, 7 mm level difference.

Order example: 220-4055-1-A

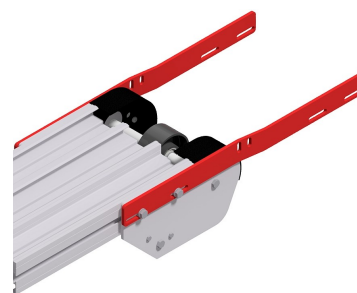
**A**



**B**



**C**



#### Bracket for roller transfer and connecting strip including roller transfer

The following configuration is listed on the existing order number 220-4055-1- **with two extra letters**.

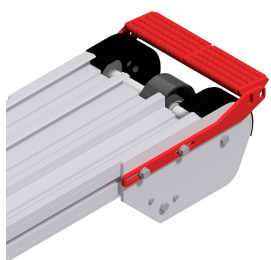
**AR** = 900-7112 and 900-7030

**BR** = 900-7120 and 900-7030

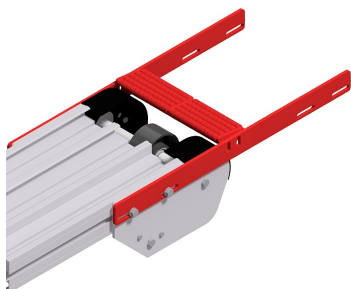
**CR** = 900-7130 and 900-7030, 7 mm level difference.

Order example: 220-4055-1-AR

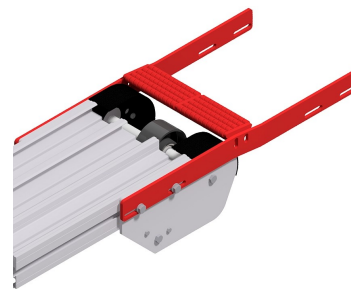
**AR**



**BR**



**CR**



Series 220

**Plain bend**

Standard plain bend S220  
 R600 consists of an aluminum profile  
 Other radius of four aluminum profiles and plastic clamp.

Plain bend configuration

**Part no. 220-5375-A-B**

A= Bend radius

B= Angle on bend

The following radius and angles are standard

A = Radius	B = Angle
600 mm	15°, 30°, 45°, 90°, 180°
900 mm	15°, 30°, 45°, 90°, 180°

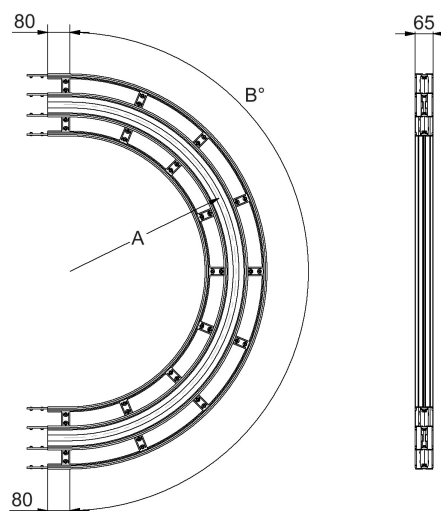
Other radius and angles are manufactured on request

Order example

**220-5375-600-90**

A= 600 mm

B= 90°



Series 220

**Vertical bend**

Standard vertical bend R400  
Anodized aluminum and curve clamps in plastic

Vertical bend configuration

**Part no. 220-5645-A**

A= Angle on bend

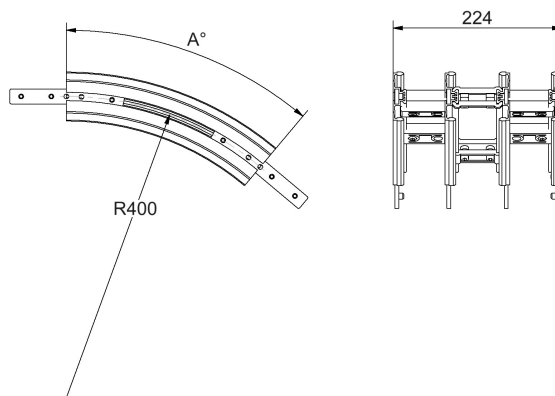
Standard angles for R400
A = 10°
A = 15°
A = 20°
A = 30°
A = 45°
A = 60°
A = 90°

Other radius and angles are manufactured on request.  
Minimum 10°

Order example

220-5645-45

A= 45°



Series 220

**Vertical bend**

Standard vertical bend R860  
Anodized aluminum and curve clamps in plastic

Vertical bend configuration  
**Part no. 220-5695-A**

A= Angle on bend

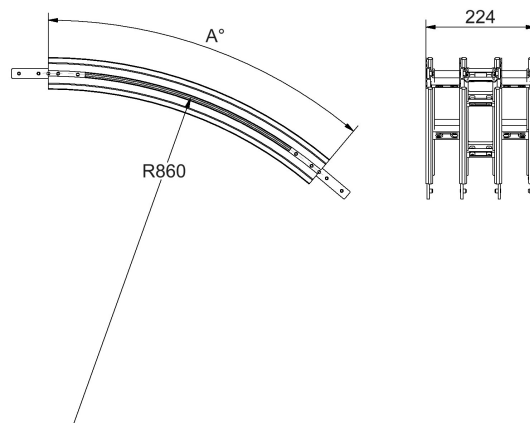
Standard angles for R860
A = 5°
A = 10°
A = 15°
A = 20°
A = 30°
A = 45°
A = 60°
A = 90°

Other radius and angles are manufactured on request.  
Minimum 5°

Order example


220-5695-45

A= 45°

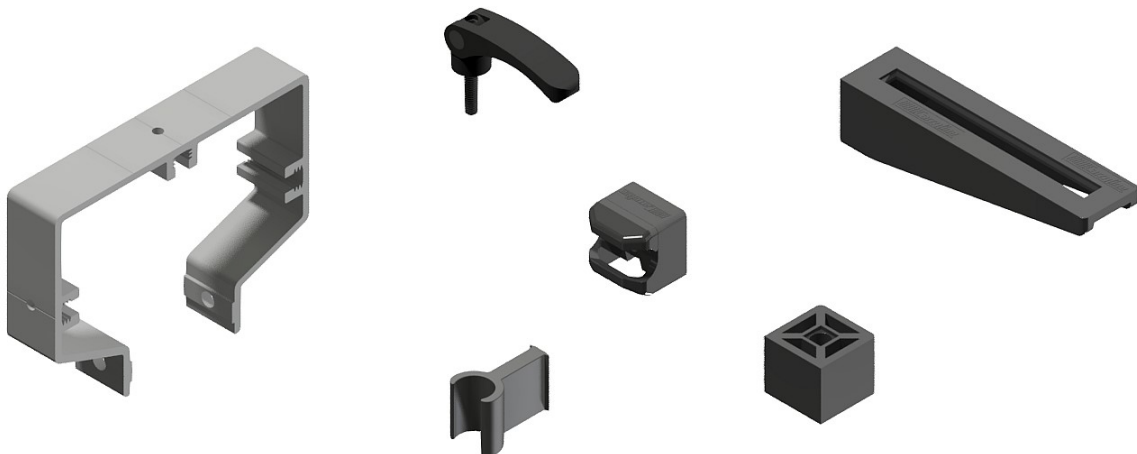






 STEP-files S300

# S300



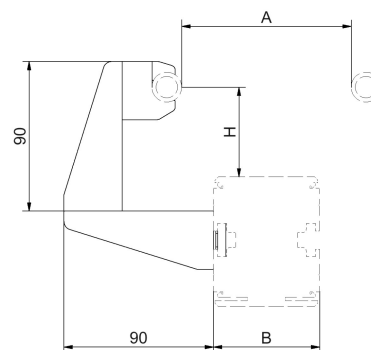
Series 300

**Guide rail bracket**

Complete guide rail bracket including  
zinc plated fasteners  
Black reinforced nylon  
Weight 220 g

**Part no. 300-0800**

B	A MAX	H MAX
S380	75	55
S620	100	50
S830	120	50
S140	120	50
S220	260	50

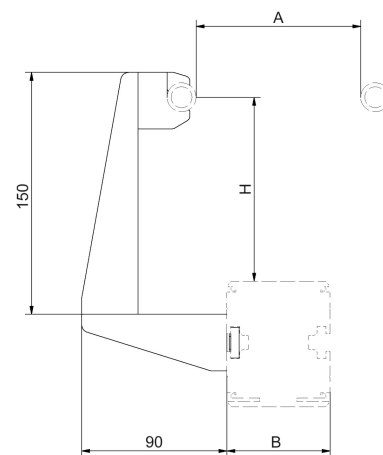


**Guide rail bracket**

Complete guide rail bracket including  
zinc plated fasteners  
Black reinforced nylon  
Weight 250 g

**Part no. 300-0820**

B	A MAX	H MAX
S380	75	115
S620	100	110
S830	120	110
S140	120	110
S220	260	110

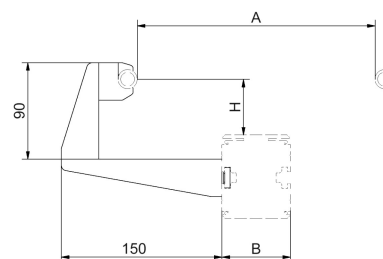
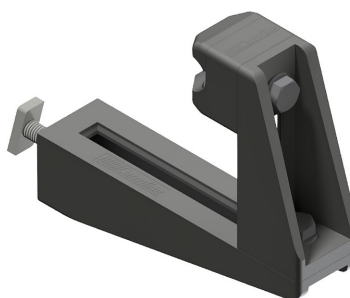


**Guide rail bracket**

Complete guide rail bracket including  
zinc plated fasteners  
Black reinforced nylon  
Weight 250 g

**Part no. 300-0840**

B	A MAX	H MAX
S380	195	55
S620	220	50
S830	240	50
S140	240	50
S220	380	50



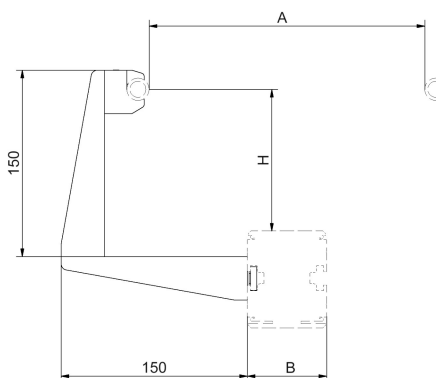
### Guide rail bracket

Complete guide rail bracket including zinc plated fasteners  
 Black reinforced nylon  
 Weight 280 g

Part no. 300-0860



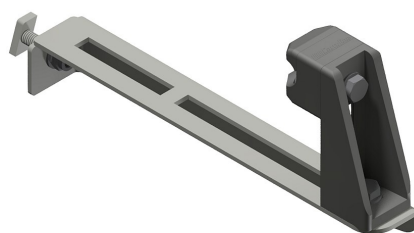
B	A MAX	H MAX
S380	195	115
S620	220	110
S830	240	110
S140	240	110
S220	380	110



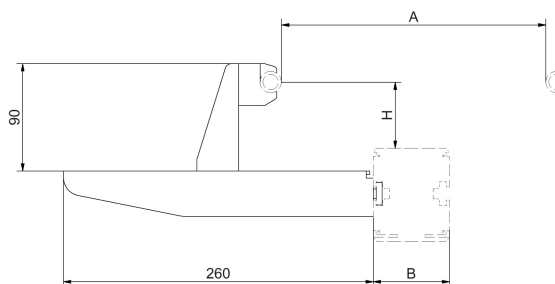
### Guide rail bracket

Complete guide rail bracket including zinc plated fasteners  
 Black reinforced nylon and zinc plated steel  
 Weight 510 g

Part no. 300-0920



B	A MAX	H MAX
S380	410	55
S620	435	50
S830	455	50
S140	455	50
S220	595	50



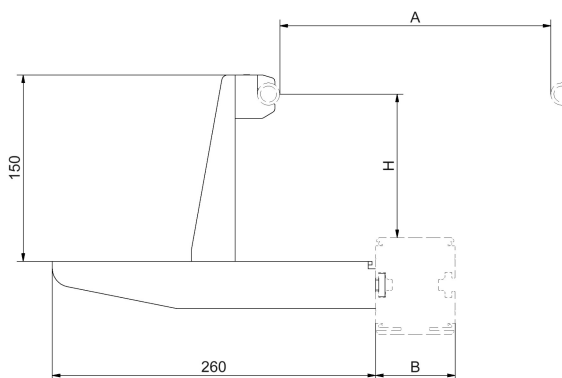
### Guide rail bracket

Complete guide rail bracket including zinc plated fasteners  
 Black reinforced nylon and zinc plated steel  
 Weight 540 g

Part no. 300-0940



B	A MAX	H MAX
S380	410	115
S620	435	110
S830	455	110
S140	455	110
S220	595	110



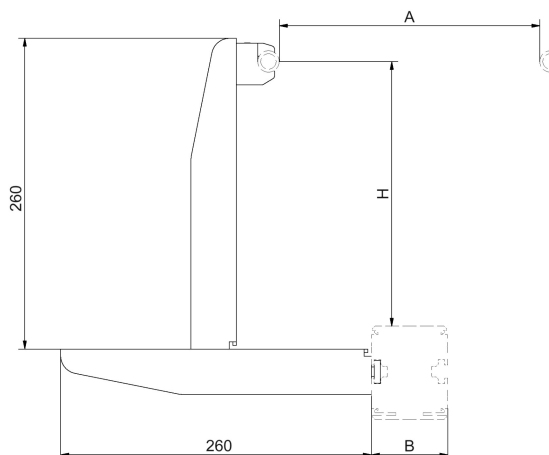
### Guide rail bracket

Complete guide rail bracket including zinc plated fasteners  
 Black reinforced nylon and zinc plated steel  
 Weight 830 g

Part no. 300-0960



B	A MAX	H MAX
S380	410	225
S620	435	220
S830	455	220
S140	455	220
S220	595	220



Series 300

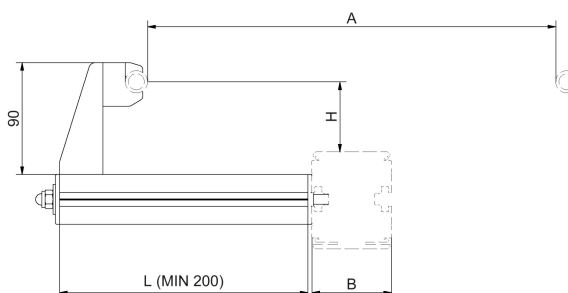
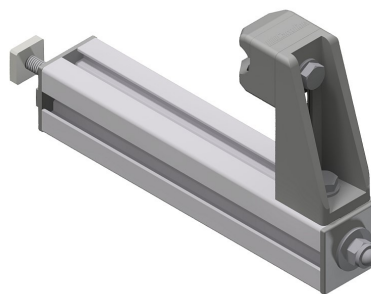
### Guide rail bracket

Complete guide rail bracket including zinc plated fasteners  
Anodized aluminum and black reinforced nylon

Part no. 300-0880

A MAX		
B \ L	200	L = ...
S380	295	
S620	320	
S830	340	
S140	340	
S220	480	

B	H MAX
S380	55
S620	50
S830	50
S140	50
S220	50



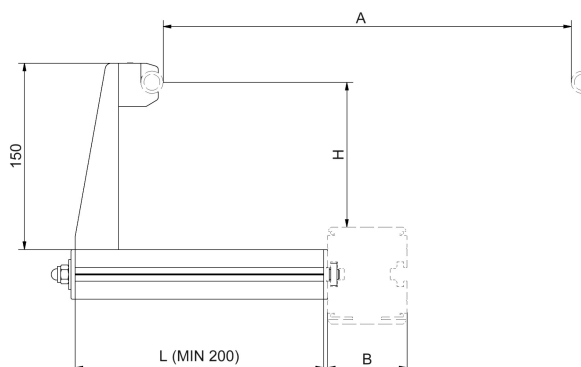
### Guide rail bracket

Complete guide rail bracket including zinc plated fasteners  
Anodized aluminum and black reinforced nylon

Part no. 300-0900

A MAX		
B \ L	200	L = ...
S380	295	
S620	320	
S830	340	
S140	340	
S220	480	

B	H MAX
S380	115
S620	110
S830	110
S140	110
S220	110

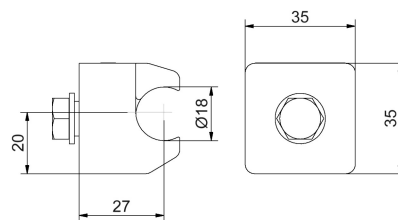


Series 300

**Guide rail support**

Black reinforced nylon  
Including zinc plated fasteners  
Weight 55 g

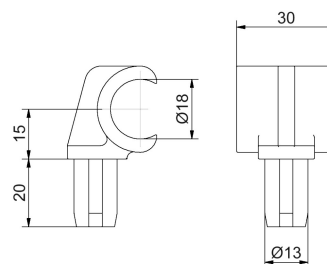
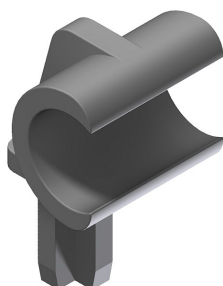
**Part no. 300-1000**



**Guide rail support**

Black acetal  
Weight 12 g

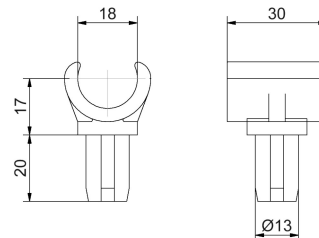
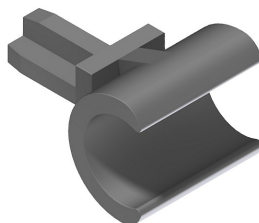
**Part no. 300-1010**



**Guide rail support**

Black acetal  
Weight 12 g

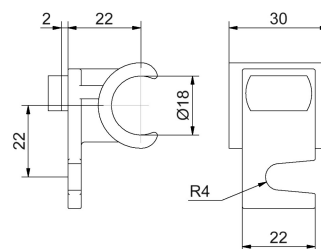
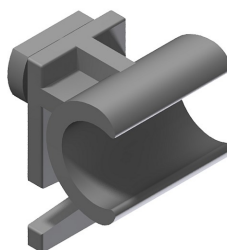
**Part no. 300-1020**



**Guide rail support**

Black acetal  
Weight 15 g

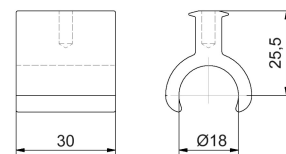
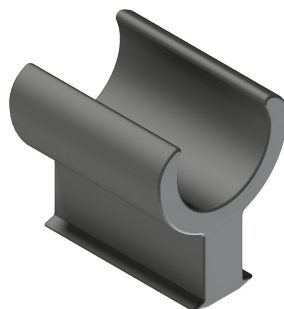
**Part no. 300-1030**



Series 300

**Guide rail support**

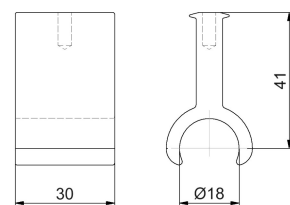
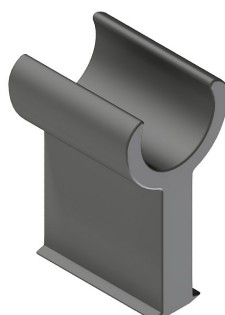
For guide rail bracket 300-2160 and 300-2165  
Black acetal  
Weight 12 g



**Part no. 300-1035**

**Guide rail support**

For guide rail bracket 300-2160 and 300-2165  
Black acetal  
Weight 17 g



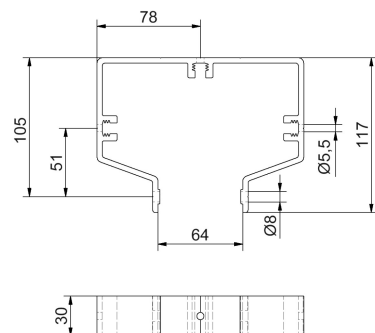
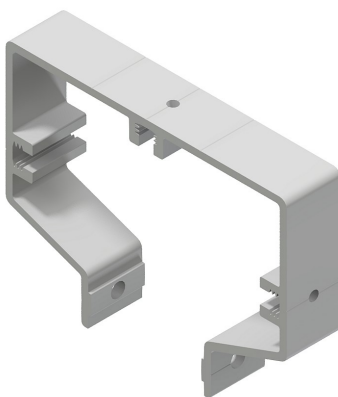
**Part no. 300-1036**

Series 300

### Guide rail bracket

Guide rail bracket for S620  
Anodized aluminum  
Weight 165 g

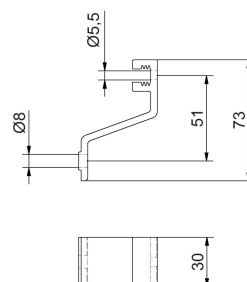
Art.nr 300-2160



### Guide rail bracket

Guide rail bracket for 300-1035 and  
300-1036  
Anodized aluminum  
Weight 42 g

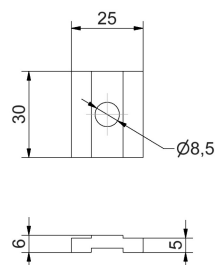
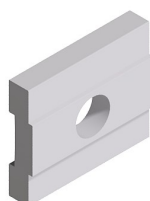
Part no. 300-2165



### Spacer

Spacer for 300-2165  
Anodized aluminum  
Weight 9 g

Part no. 300-2170



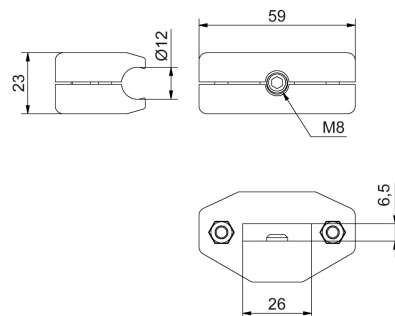
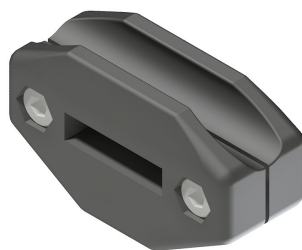


Series 300

**Guide rail support**

Black reinforced nylon  
Including zinc plated fasteners  
Weight 50 g

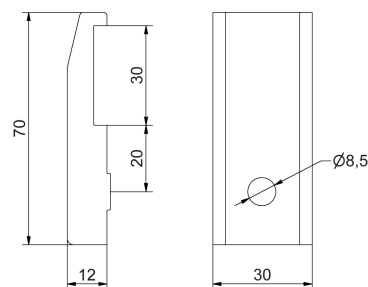
**Part no. 300-1045**



**Guide rail support**

For guide rail 300-3030  
Black reinforced nylon  
Weight 15 g

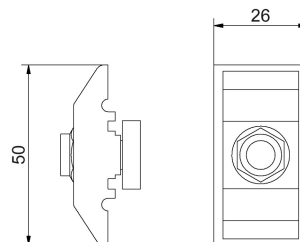
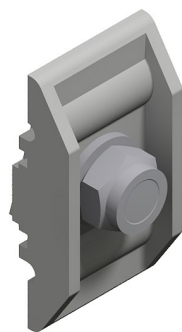
**Part no. 300-1050**



**Guide rail support**

For guide rail profile 300-3050  
Black reinforced nylon  
Including zinc plated fasteners  
Weight 28 g

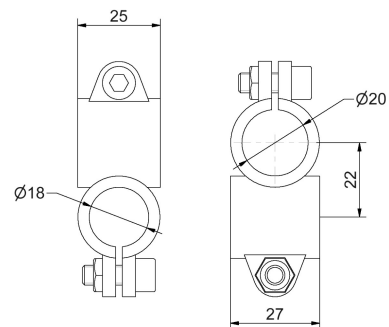
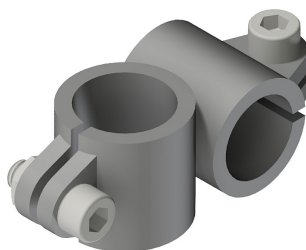
**Part no. 140-1025**



**Guide rail support**

Black reinforced nylon  
Including zinc plated fasteners  
Weight 35 g

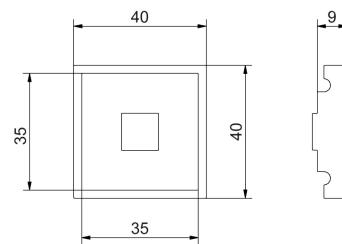
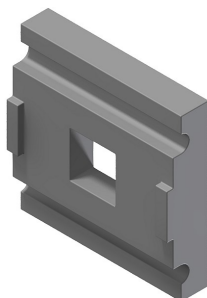
**Part no. 300-1090**



Series 300

**Adapter plate**

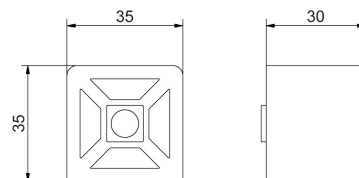
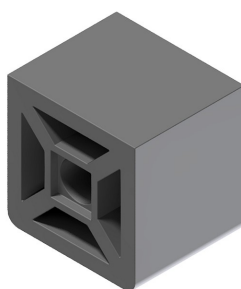
Adapter plate for guide rail bracket  
in curve S140  
Black reinforced nylon  
Weight 15 g



**Part no. 300-2040**

**Spacer**

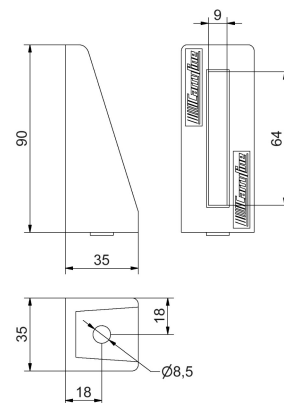
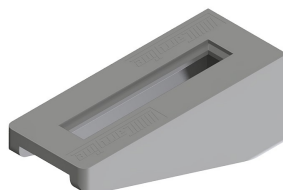
For all angle brackets in nylon  
Black reinforced nylon  
Weight 40 g



**Part no. 300-2030**

**Angle bracket**

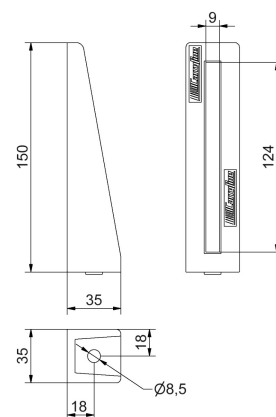
Black reinforced nylon  
Weight 58 g



**Part no. 300-2090**

**Angle bracket**

Black reinforced nylon  
Weight 90 g



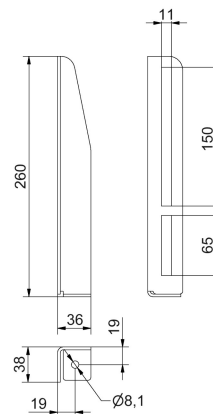
**Part no. 300-2150**

Series 300

**Angle bracket**

Zinc plated steel  
Weight 375 g

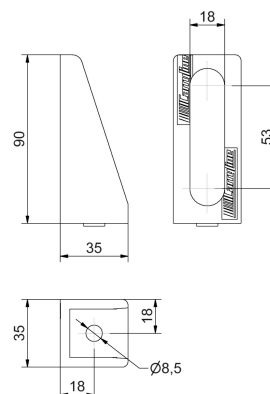
**Part no. 300-2260**



**Angle bracket**

Angle bracket for photocell  
Black acetal  
Weight 36 g

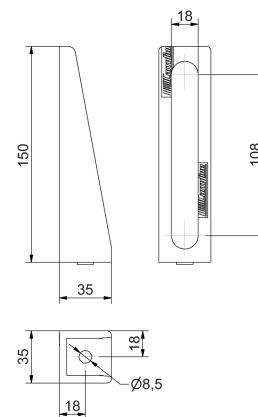
**Part no. 300-2900**



**Angle bracket**

Angle bracket for photocell  
Black acetal  
Weight 52 g

**Part no. 300-2910**

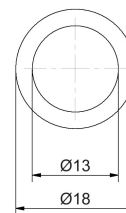


Series 300

**Guide rail**

Anodized aluminum  
Weight 330 g/m  
Length 5.8 m

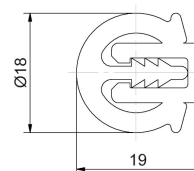
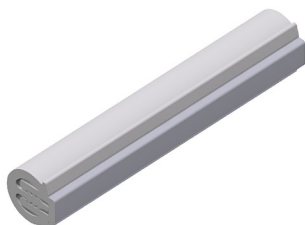
**Part no. 300-3000**



**Guide rail with slide rail**

Anodized aluminum and nylon  
Weight 430 g/m  
Length 5.8 m

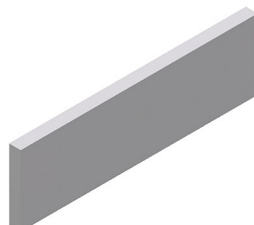
**Part no. 300-3010**



**Guide rail**

Anodized aluminum  
Weight 410 g/m  
Length 5.8 m

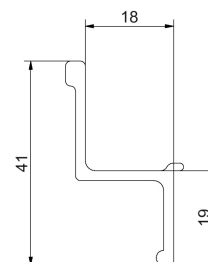
**Part no. 300-3030**



**Guide rail**

Guide rail for palett 200-7020  
Anodized aluminum  
Weight 370 g/m  
Length 5.8 m

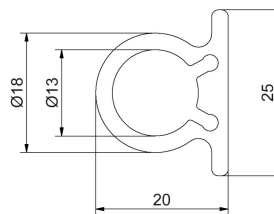
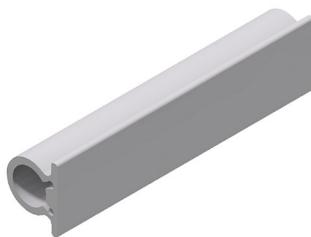
**Part no. 300-3050**



Series 300

**Guide rail**

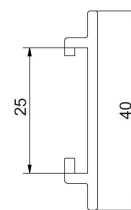
Anodized aluminum  
Weight 470 g/m  
Length 5.8 m



**Part no. 300-3040**

**Plastic strip**

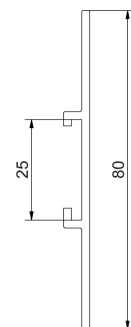
For guide rail 300-3040  
White nylon  
Weight 150 g/m  
Length 12 m



**Part no. 300-3045**

**Plastic strip**

For guide rail 300-3040  
White nylon  
Weight 270 g/m  
Length 12 m



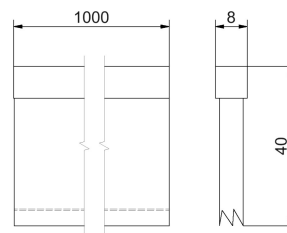
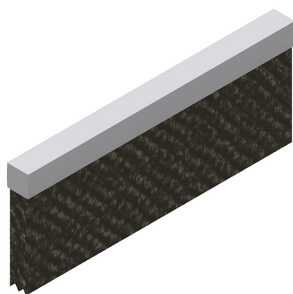
**Part no. 300-3047**

Series 300

**Brush**

Brush made of nylon and zinc plated steel brackets  
Weight 240 g

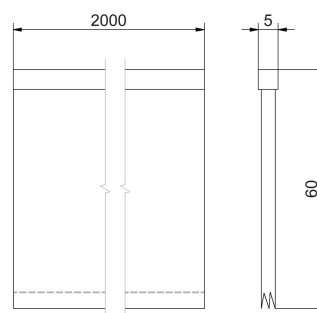
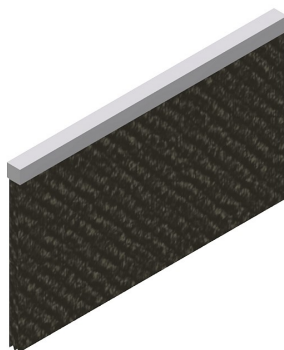
Art.nr 300-3061



**Brush**

Brush made of nylon and zinc plated steel brackets  
Weight 390 g

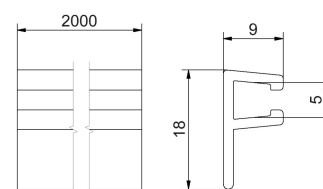
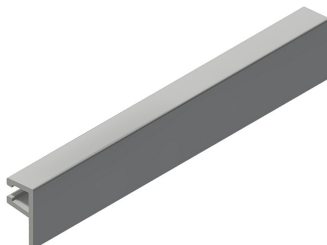
Art.nr 300-3062



**Bracket F-profile**

For brush 300-3062  
Aluminum  
Weight 280 g

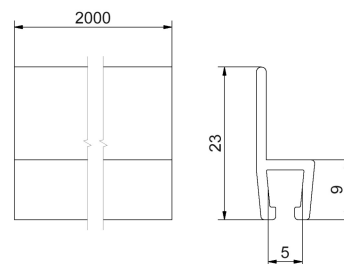
Art.nr 300-3065



**Bracket H-profil**

For brush 300-3062  
Aluminum  
Weight 320 g

Art.nr 300-3066

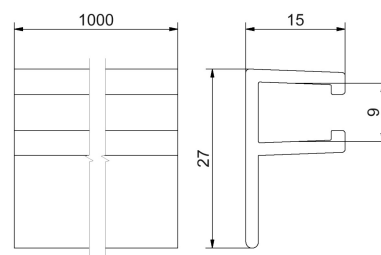
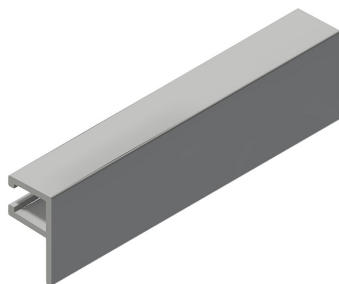


Series 300

### Bracket F-profile

For brush 300-3061  
Aluminum  
Weight 290 g

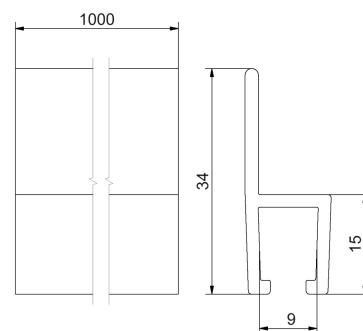
Part no. 300-3067



### Bracket H-profile

For brush 300-3061  
Aluminum  
Weight 320 g

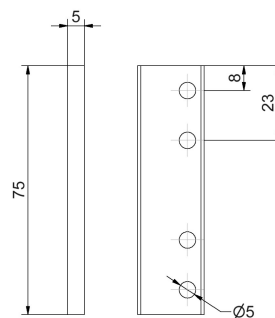
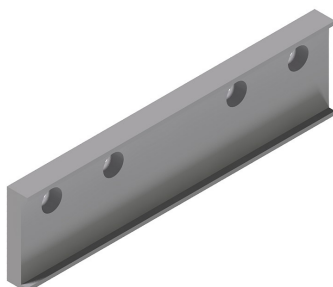
Part no. 300-3068



### Connecting strip

For F-profile 300-3065  
Anodized aluminum  
Weight 15 g

Part no. 300-3064

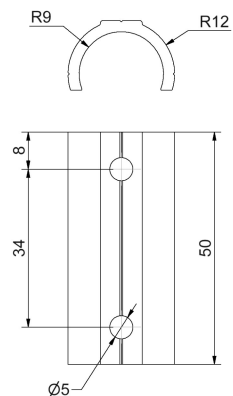
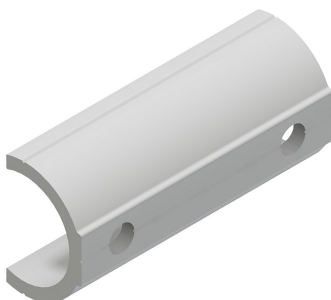


Series 300

**Connecting sleeve**

For guide rail  
Anodized aluminum  
Weight 15 g

**Part no. 300-3091**



**Screw**

For connecting sleeve 300-3091 and  
connecting strip 300-3065  
Zinc plated steel  
Weight 3 g

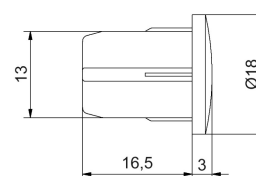
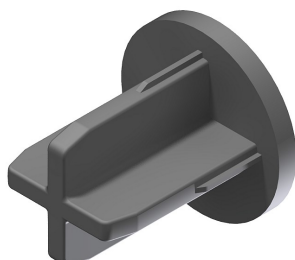
**Part no. 300-3095**



**End cap**

For guide rail 300-3000 and 300-3040  
Black polypropylene  
Weight 2 g

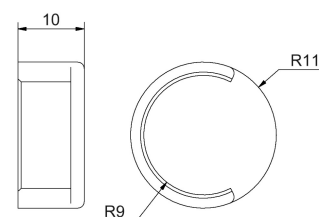
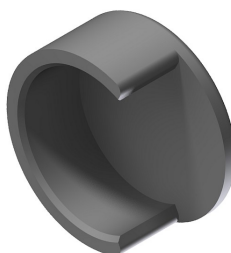
**Part no. 300-3070**



**End cap**

For guide rail 300-3010  
Black acetal  
Weight 2 g

**Part no. 300-3075**

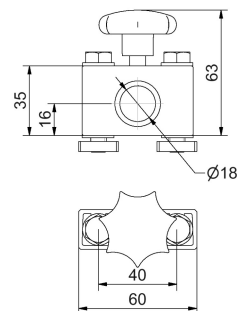
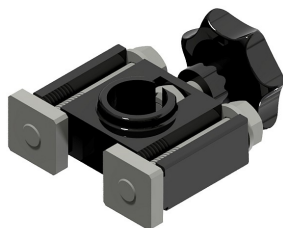




Series 300

**Guide rail bracket**

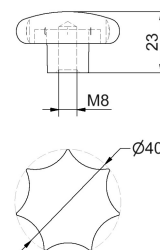
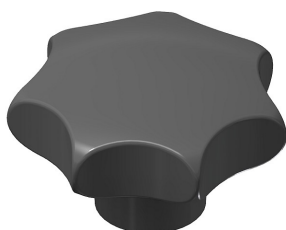
For guide rail 300-3000  
 Black reinforced nylon  
 Including zinc plated fasteners  
 Weight 130 g



**Part no. 300-3200**

**Hand wheel**

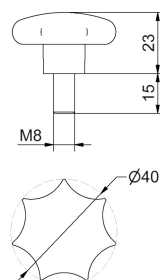
Black thermoplastic and brass bushing  
 Weight 15 g



**Part no. 300-3250**

**Hand wheel**

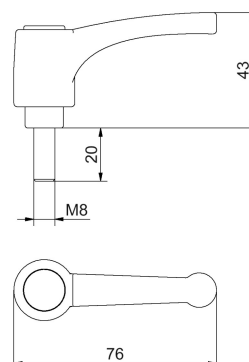
Black thermoplastic and brass bushing  
 Weight 24 g



**Part no. 300-3260**

**Clamping lever**

Black thermoplastic and zinc plated steel  
 Weight 32 g



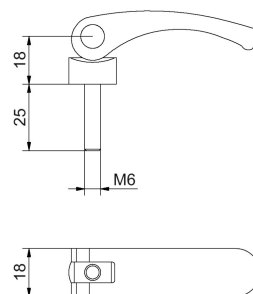
**Part no. 300-3300**

Series 300

**Cam lever**

Black thermoplastic and zinc plated steel  
Weight 33 g

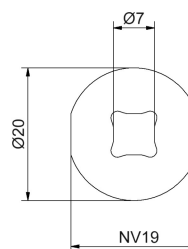
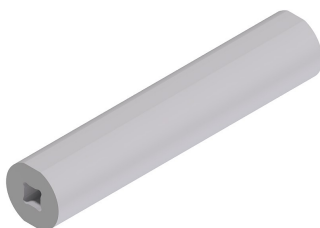
**Part no. 300-3310**



**Spacer tube**

Anodized aluminum  
Weight 750 g/m  
Length 5.8 m

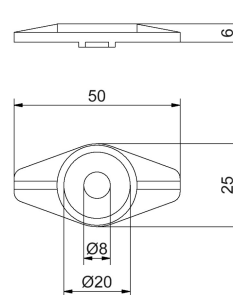
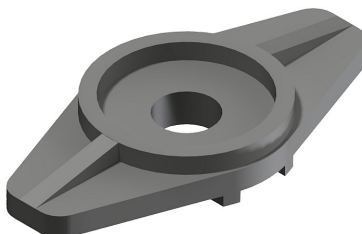
**Part no. 300-4010**



**Support bracket**

Support bracket for 300-4010  
Black reinforced nylon  
Weight 4 g

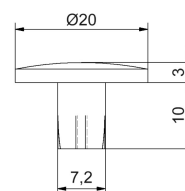
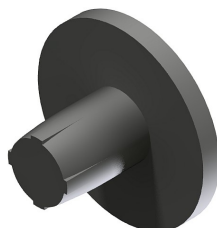
**Part no. 300-4020**

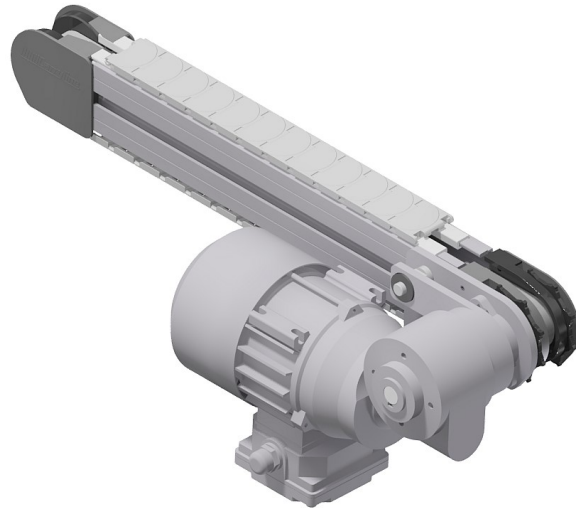



**End cap**

For spacer tube 300-4010  
Black polypropylene  
Weight 2 g

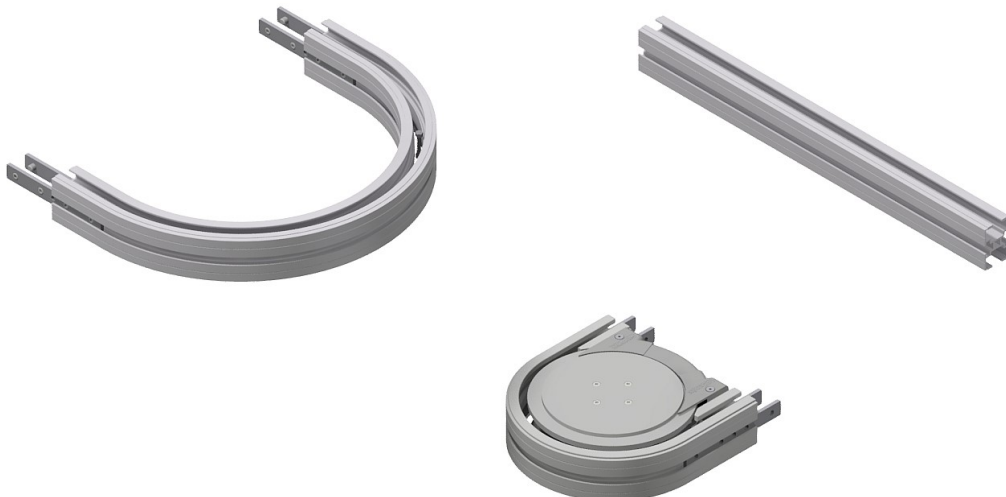
**Part no. 300-4030**



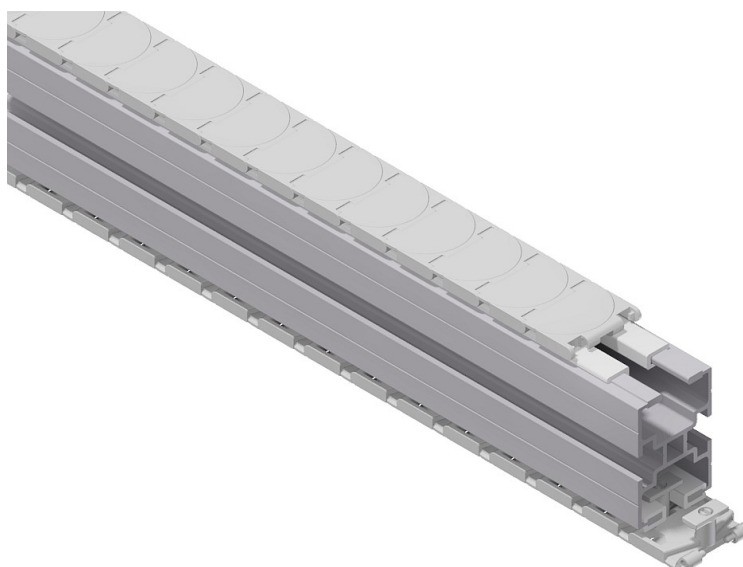


 STEP-files S380

# S380



Series 380



Technical specification S380	
Width of chain	38 mm
Chain pitch	25 mm
Width conveyor profile	40 mm
Height conveyor	75 mm
Radius conveyor chain on the drive and idler unit	40/38 mm
Max. permitted traction on the conveyor chain	420 N
Weight conveyor	≈ 5 kg/m **
Recommended maximum weight on conveyor	≈ 40 kg *
Recommended maximum load	≈ 3 kg/m *
Recommended maximum length of conveyor	≈ 10 m *
Recommended maximum speed	80 m/min
Minimum radius on horizontal bend	R 200 mm
Wheel curve radius	R 100 mm
Vertical bend radius	R 400 mm and R 860 mm
Motor	0,06 kW
Noise level	< 70 dB (A)
Chain material	Acetal
Conveyor profile material	Anodized aluminum
* Recommended maximum length depends on the design, load and number of bends.	
** The weight of the conveyor depends on which type of chain, guide rail and guide rail bracket.	

Series 380

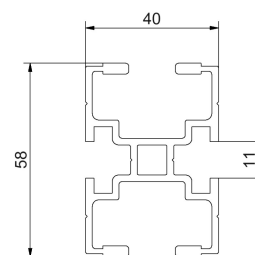
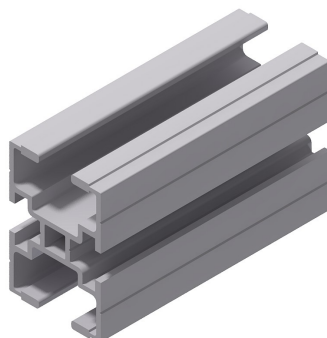
### Conveyor profile S380

Anodized aluminum

Weight 1450 g/m

Length 5.8 m

Part no. 380-1000



### Conveyor chain

Slat standard chain for S380

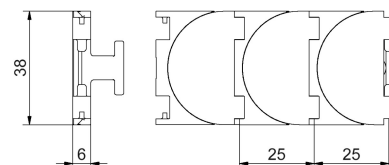
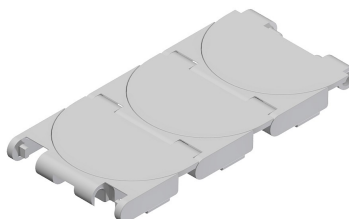
White acetal, food approved

Allowed traction force 100 N.

Weight 280 g/m

Length 40 st/m

Part no. 380-2000



Series 380

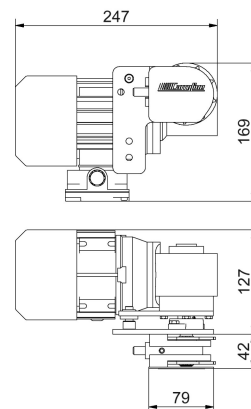
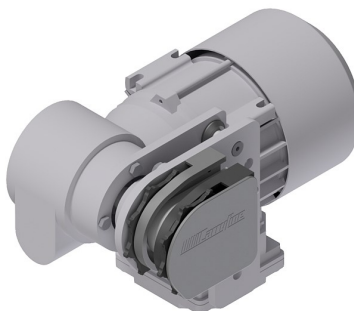
**380-30**

Drive unit with direct transmission S380.

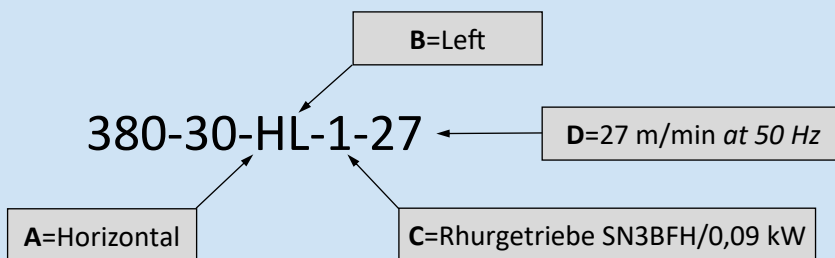
Configuration of default drive with direct transmission **380-30-AB-C-D**.




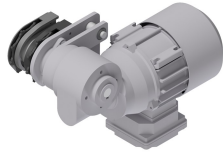
Weight without motor 840 g

Weight with motor 6840 g



Order example



<b>A:</b> <u>Assembly position</u>	<b>B:</b> <u>Placement</u>	<b>C:</b> <u>Motor/gear power</u>	<b>D:</b> <u>Speed m/min at 50 Hz</u>
<b>H: Horizontal</b> 	<b>R: Right</b> 	<b>1:</b> Rhurgetriebe SN3BFH 0,09 kW	4    10    16    29 6    11    19    32 7    12    21    46 8    13    27    64
			<b>W</b> Without motor/gear. Assembly position and shaft prepared for selected placement.
<b>V: Vertical</b> 	<b>L: Left</b> 		

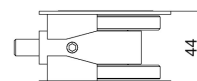
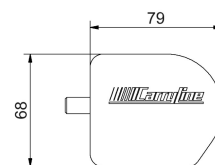
Series 380

**Idler unit**

Standard idler unit to S380

Weight 240 g

**Part no. 380-4000**



Series 380

**Wheel bend**

Standard wheel bend S380 with R100 mm  
Anodized aluminum and wheel in plastic.  
Wheel bend configuration

**Part no. 380-5055-A**

A= Angle on bend

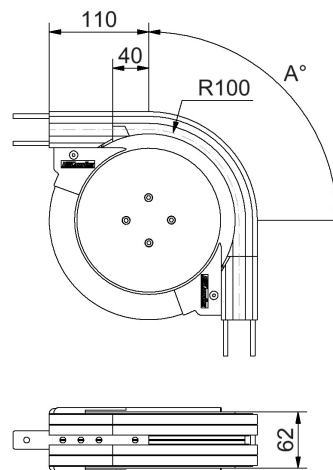
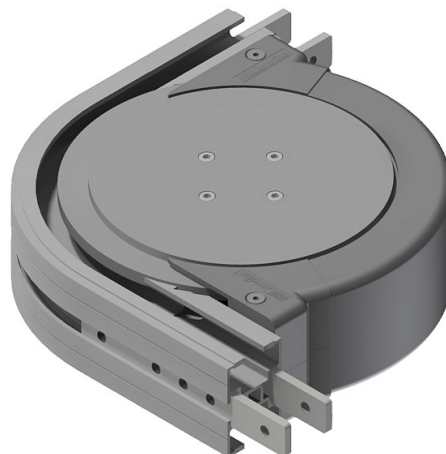
Standard angles for R100
A = 45°
A = 90°
A = 180°

Other angles are manufactured on request

Order example

**380-5055-45**

**A= 45°**





Series 380

**Plain bend**

Standard plain bend S380

Consists of two aluminum profiles and plastic clamp

Plain bend configuration

**Part no. 380-5375-A-B**

A= Bend radius

B= Angle on bend

The following radius and angles are standard

A = Radius	B = Angle
200 mm	15°, 30°, 45°, 90°, 180°
300 mm	15°, 30°, 45°, 90°, 180°
400 mm	15°, 30°, 45°, 90°, 180°

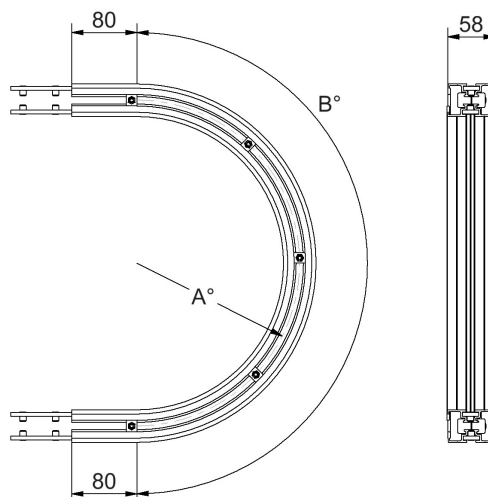
Other radius and angles are manufactured on request

Order example

**380-5375-200-45**

A= 200 mm

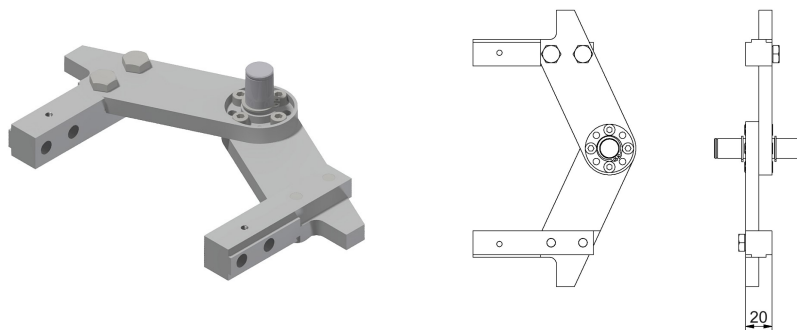
B= 45°



Series 380

**Adjustable support assembly**

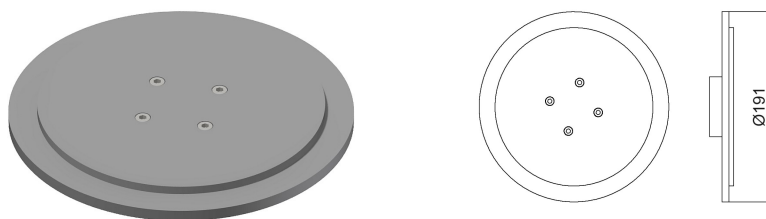
Support assembly for wheel bend R100 S380  
 Complete with shaft  
 Anodized aluminum, stainless steel and zinc plated fasteners  
 Weight 500 g



Part no. 380-5056

**Wheel bend disc**

For wheel bend R100  
 Complete with bearing 6002-2Z  
 Gray PVC and anodized aluminum  
 Weight 520 g



Part no. 380-5057

**Shaft**

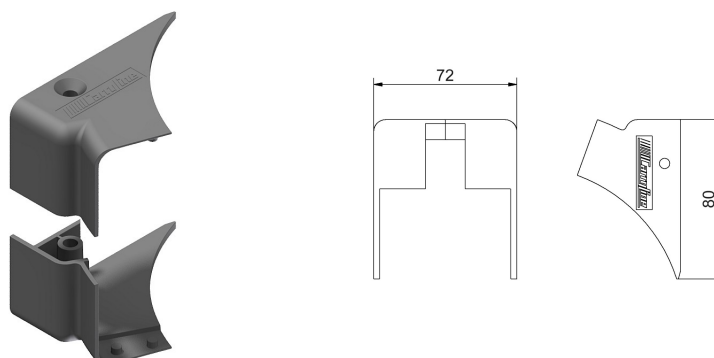
For wheel bend R100  
 Stainless steel  
 Weight 100 g



Part no. 380-5058

**Pinch guard**

For wheel bend R100  
 Black polypropylene  
 Delivered in pairs (2pcs)  
 Weight 29 g



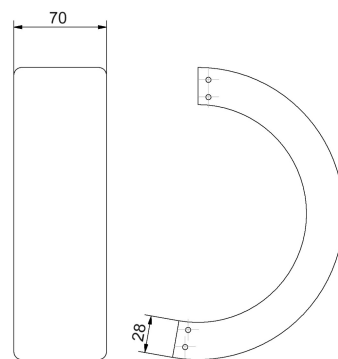
Part no. 380-5060

Series 380

**Pinch guard**

Pinch guard for wheel bend 45° R100  
Black ABS plastic  
Weight 115 g

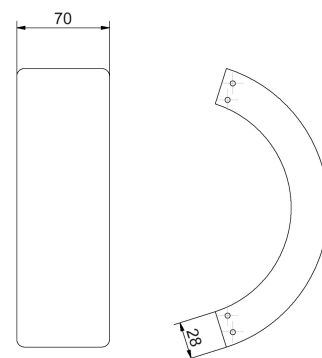
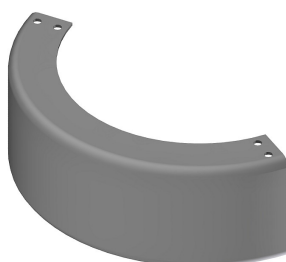
**Part no. 380-5061**



**Pinch guard**

Pinch guard for wheel bend 90° R100  
Black ABS plastic  
Weight 90 g

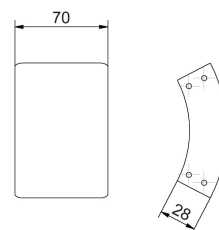
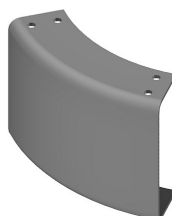
**Part no. 380-5062**



**Pinch guard**

Pinch guard for wheel bend 180° R100  
Black ABS plastic  
Weight 35 g

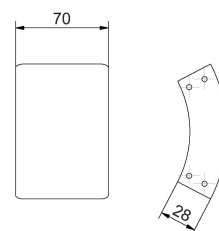
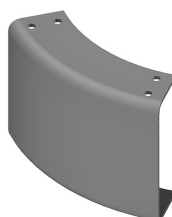
**Part no. 380-5063**




**Pinch guard**

Pinch guard for wheel bend X° R100  
Black ABS plastic

**Part no. 380-5064**





 STEP-files S400

# S400



Series 400

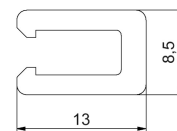
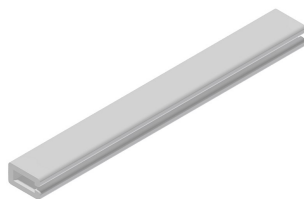
**Slide rail**

Slide rail for S140, S220, S620, S830

White nylon

Weight 70 g/m

Length 25 m



**Part no. 400-1000**

**Slide rail**

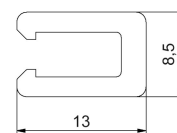
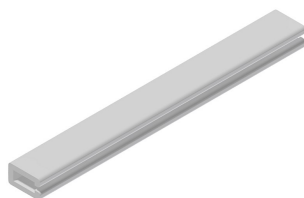
Slide rail PVDF for S140, S220, S620, S830

Low moisture absorption and good chemical resistance

White PVDF

Weight 70 g/m

Length 25 m



**Part no. 400-1001**

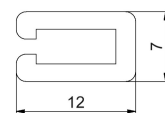
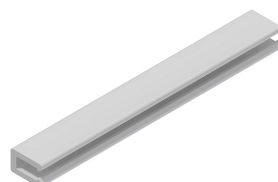
**Slide rail**

Slide rail for S380

White nylon

Weight 65 g/m

Length 25 m



**Part no. 400-1010**

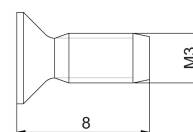
**Screw**

Screw for slide rail

Self-tapping screw with T10

Zinc plated steel

Weight 1 g



**Part no. 400-1005**

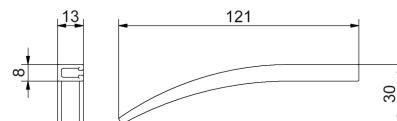
Series 400

### Chain guide

For idler unit  
Black nylon  
Weight 7 g

Manufactured in version right and left.  
R = Right  
L = Left

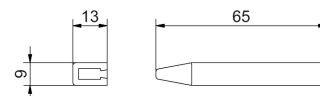
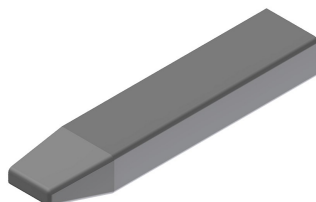
Part no. 400-1040R  
Part no. 400-1040L



### Chain guide

Black nylon  
Weight 5 g

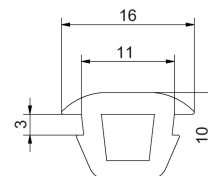
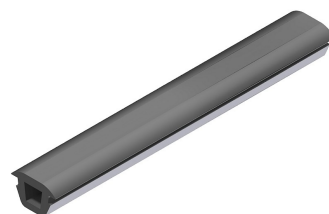
Part no. 400-1050

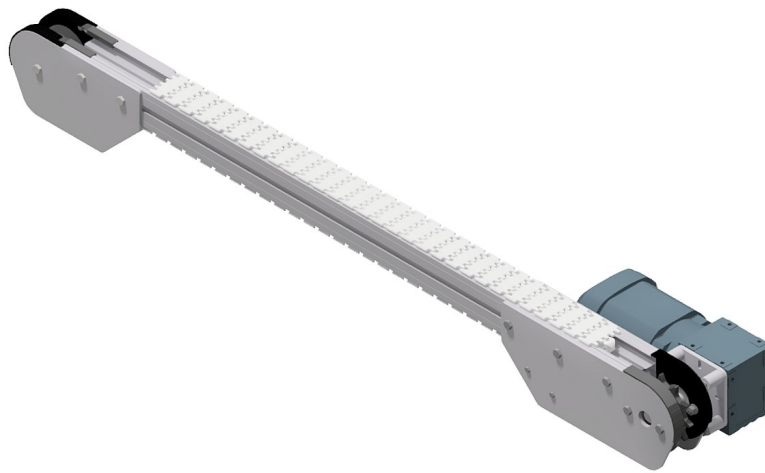



### Cover board

Black thermoplastic rubber  
Weight 80 g/m  
Length 25 m

Part no. 400-1025



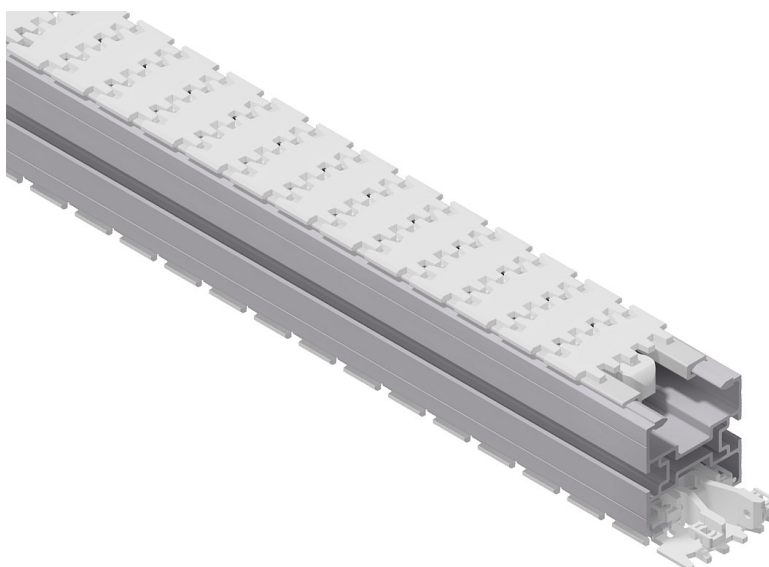


 STEP-files S620

# S620



Series 620



Technical specification S620	
Width of chain	62 mm
Chain pitch	30 mm
Width conveyor profile	64 mm
Height conveyor	78 mm
Radius conveyor chain on the drive and idler unit	70 mm
Max. permitted traction on the conveyor chain	500 N
Weight conveyor	≈ 5 kg/m **
Recommended maximum weight on conveyor	≈ 105 kg *
Recommended maximum load	≈ 10 kg/m *
Recommended maximum length of conveyor	≈ 20 m *
Recommended maximum speed	60 m/min
Minimum radius on horizontal bend	R 191 mm
Wheel curve radius	R 141 mm and R191
Vertical bend radius	R 400 mm och R 860 mm
Motor	0,18 - 0,37 kW
Noise level	< 70 dB (A)
Chain material	Acetal
Conveyor profile material	Anodized aluminum
* Recommended maximum length depends on the design, load and number of bends.	
** The weight of the conveyor depends on which type of chain, guide rail and guide rail bracket.	

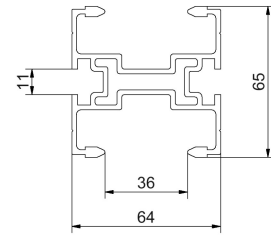
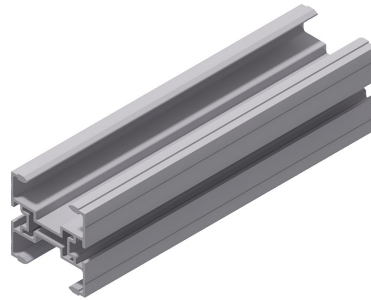


Series 620

### Conveyor profile S620

Anodized aluminum  
Weight 2150 g/m  
Length 5.8 m  
Qty/ package 16 pcs

Part no. 620-1000



Series 620

### Conveyor chain S620

Acetal, nylon and stainless steel.  
 Standard version top flights are made of white acetal which is food approved  
 Allowed traction force 500 N.

On request, chain and top flight can be delivered in non-standard material.  
 Enter the following additional letter.

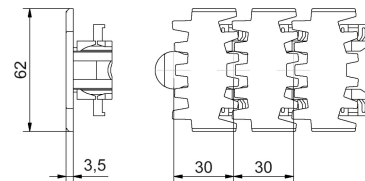
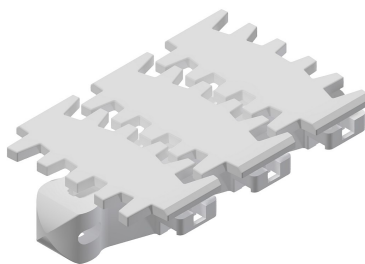
- L = Low friction
- V = Heat resistance
- A = Antistatic
- F = Flocked

Order example 620-2000L

### Finger chain

Slat standard chain for S620 och S520  
 Weight 760 g/m  
 Qty 33 pcs/m

Part no. 620-2000

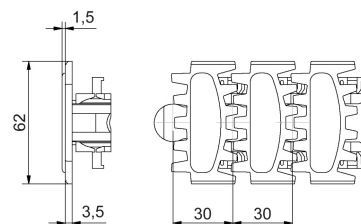
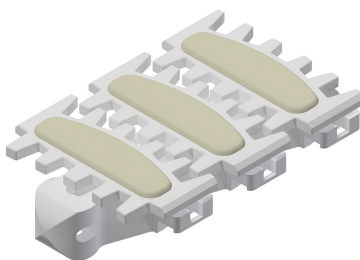


Link for standard chain  
 Part no. 620-2001

### Finger chain friction

Standard chain with friction S620 och S520  
 Weight 770 g/m  
 Qty 33 st/m

Part no. 620-2010



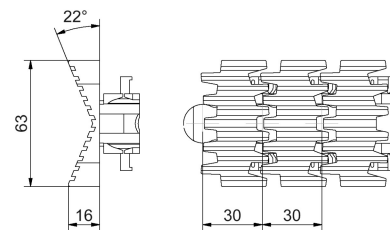
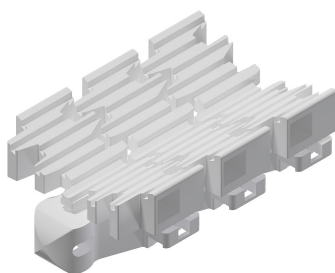
Link for friction chain  
 Part no. 620-2011

Series 620

**V-chain**

For S620 and S520  
 Weight 880 g/m  
 Qty 33 pcs/m

**Part no. 620-2130**

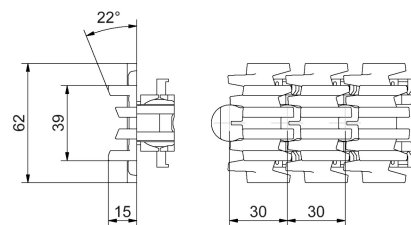
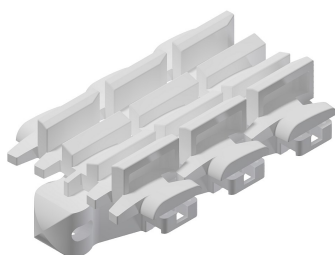


Link for v-chain  
**Part no. 620-2131**

**V-chain**

For S620 and S520  
 Weight 890 g/m  
 Qty 33 pcs/m

**Part no. 620-2135**

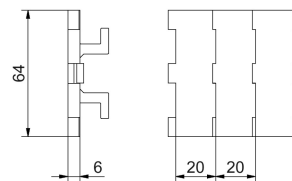
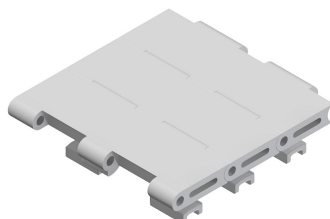


Link for v-chain  
**Part no. 620-2136**

**Chain for straight running**

For S620 and S520  
 Weight 700 g/m  
 Qty 50 pcs/m

**Part no. 620-2200**

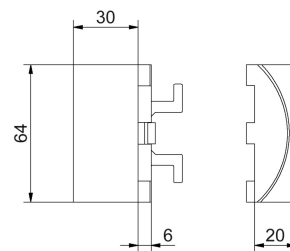
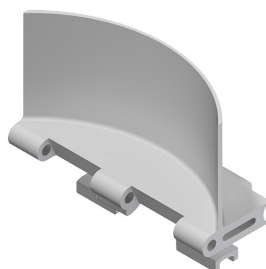


Link for straight running chain  
**Part no. 620-2201**

**Link to straight running chain with carrier**

For S620 and S520  
 Weight 15 g

**Part no. 620-2210**

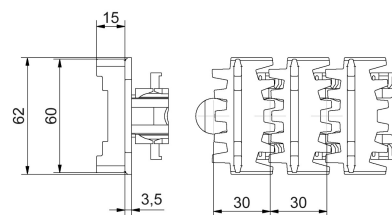
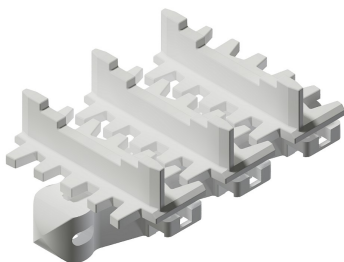


Series 620

**Chain with carrier**

For S620 and S520  
 Weight 880 g/m  
 Qty 33 pcs/m

**Part no. 620-2067**

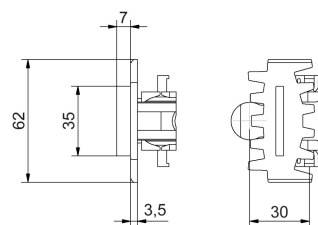
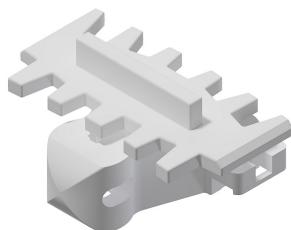


Link for carrier chain  
**Part no. 620-2068**

**Link with carrier**

For S620 and S520  
 Weight 28 g

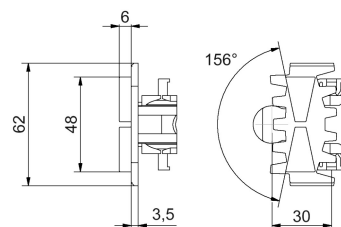
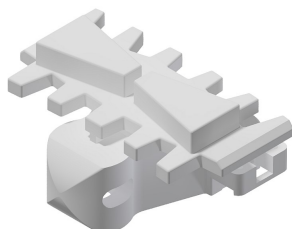
**Art.nr 620-2065**



**Link with carrier**

For S620 and S520  
 Weight 30 g

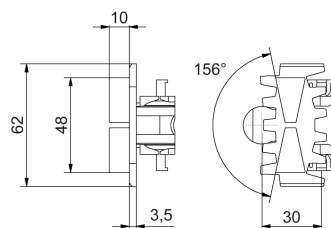
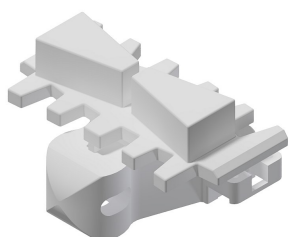
**Art.nr 620-2179**



**Link with carrier**

For S620 and S520  
 Weight 35 g

**Art.nr 620-2189**



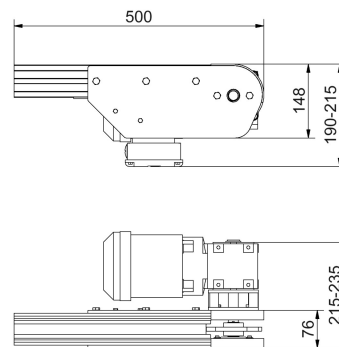
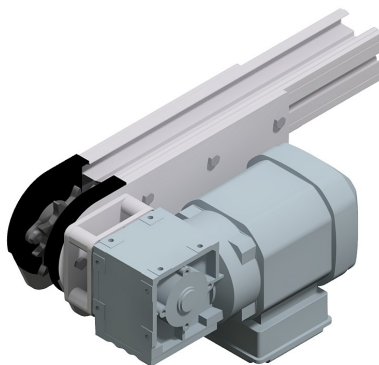
Series 620

**620-30**

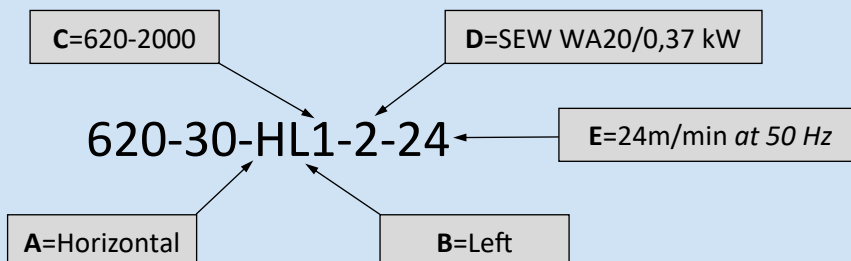
Drive unit with direct transmission S620.  
Configuration of default drive with direct transmission **620-30-ABC-D-E**.

If needed, roller transfers and brackets can be found on page 110.

Weight without motor 3500 g  
Weight with motor 10500-16500 g



Order example



<b>A:</b> <u>Assembly position</u>	<b>B:</b> <u>Placement</u>	<b>C:</b> <u>Conveyor chain</u>	<b>D:</b> <u>Motor/gear</u> <u>Power</u>	<b>E:</b> <u>Speed m/min</u> <u>at 50 Hz</u>
<b>H:</b> Horizontal  	<b>R:</b> Right  	<b>1:</b> 620-2000 620-2010	<b>1:</b> SEW WA20 0,25 kW	8    18    34 10    20    47 12    25    59 15    29
		<b>2:</b> 620-2189 620-2179		<b>2:</b> SEW WA20 0,37 kW
<b>V:</b> Vertical  	<b>L:</b> Left  	<b>3:</b> 620-2065 620-2135	<b>3:</b> SEW WA30 0,37 kW	6    15    30 8    18    34 10    20    48 12    25    59
		<b>4:</b> 620-2130		
				<b>W</b> Without motor/gear. Assembly position and shaft prepared for selected placement. More options →

Series 620

Cont. 620-30

<b>D:</b> <u>Motor/gear</u> <u>Power</u>	<b>E:</b> <u>Speed m/min</u> <u>at 50 Hz</u>		
<b>5:</b> SEW SA37 0,37 kW	8 10 13 16	19 25 27 31	36
<b>6:</b> Lenze G500-B45 0,18 kW	13 15 17 19	21 25 28 31	36 41 45 52
<b>7:</b> Lenze G500-B110 0,18 kW	8 10 12 15	19 21 25 33	38 41
<b>8:</b> Lenze G500-B45 0,25 kW	19 22 25 28	32 36 41 46	52
<b>9:</b> Lenze G500-B110 0,25 kW	11 12 15 19	21 25 27 31	38 42 46 52
<b>10:</b> Lenze G500-B45 0,37 kW	28 32 37 42	47 54	

<b>D:</b> <u>Motor/gear</u> <u>Power</u>	<b>E:</b> <u>Speed m/min</u> <u>at 50 Hz</u>		
<b>11:</b> Lenze G500-B110 0,37 kW	11 13 16 20	22 25 28 32	34 39 43 47
<b>14:</b> Lenze Smart Motor G500-B45 max 0,47 kW	Adjustable speed 6-31 m/min		
<b>15:</b> Lenze Smart Motor G500-B45 max 0,47 kW	Adjustable speed 10-50 m/min		
	<b>W</b> Without motor/gear. Assembly position and shaft prepared for selected place- ment.		

If needed, roller transfers and brackets can be found on page 110.

## Series 620

### Cont. 620-30

#### Bracket for roller transfer and connecting strip between conveyors

The following configuration is listed on order number 620-30-ABC-D-E- **with one additional letter**.

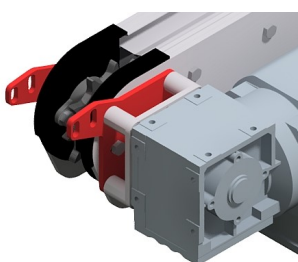
**A** = 900-3117 and 900-7112.

**B** = 900-3119 and 900-7120.

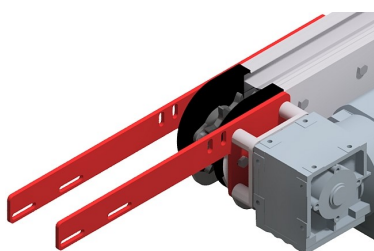
**C** = 900-3118 and 900-7130, 7 mm level difference.

Order example 620-30-HL1-2-24-**A**

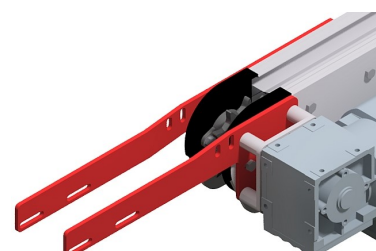
**A**



**B**



**C**



#### Bracket for roller transfer and connecting strip including roller transfer

The following configuration is listed on the existing order number 140-30-ABC-D-E- **with two extra letters**.

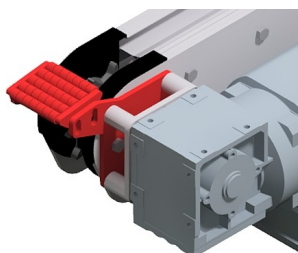
**AR** = 900-3117, 900-7112 and 900-7000

**BR** = 900-3119, 900-7120 and 900-7000

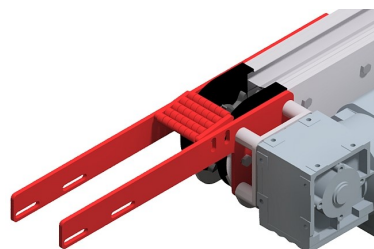
**CR** = 900-3118, 900-7130 and 900-7000, 7 mm level difference.

Order example: 620-30-HL1-2-24-**AR**

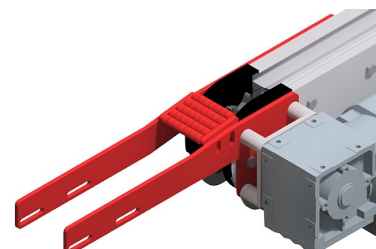
**AR**



**BR**



**CR**



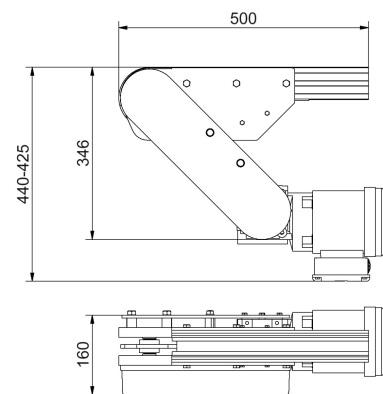
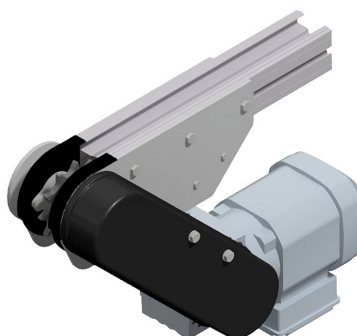
Series 620

**620-31**

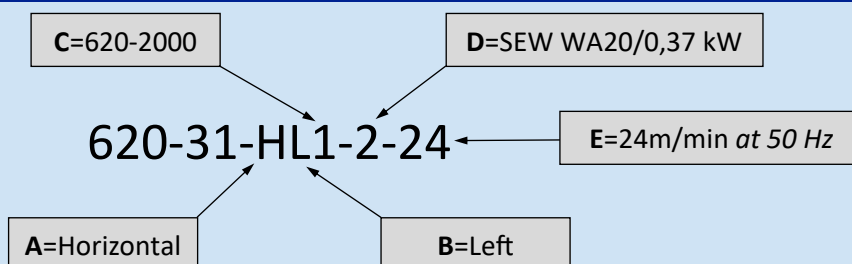
Drive unit with suspended motor S620.  
Configuration of default drive

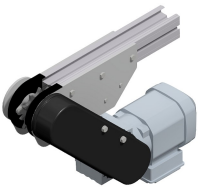
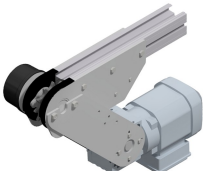
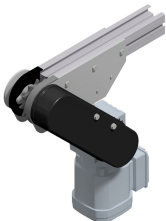
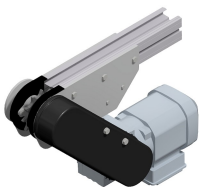
**620-31-ABC-D-E.**

If needed, roller transfers and brackets can be found on page 115.



Order example



<b>A:</b> <u>Assembly position</u>	<b>B:</b> <u>Placement</u>	<b>C:</b> <u>Conveyor chain</u>	<b>D:</b> <u>Motor/gear</u> <u>Power</u>	<b>E:</b> <u>Speed m/min</u> <u>at 50 Hz</u>
<b>H:</b> Horizontal 	<b>R:</b> Right 	<b>1:</b> 620-2000 620-2010	<b>1:</b> SEW WA20 0,25 kW	8    18    34 10    20    47 12    25    59 15    29
		<b>2:</b> 620-2189 620-2179		<b>2:</b> SEW WA20 0,37 kW
<b>V:</b> Vertical 	<b>L:</b> Left 	<b>3:</b> 620-2065 620-2135	<b>3:</b> SEW WA30 0,37 kW	6    15    30 8    18    34 10    20    48 12    25    59
		<b>4:</b> 620-2130		
				<b>W</b> Without motor/gear. Assembly position and shaft prepared for selected place- ment. More options →



Series 620

Cont. 620-31

<b>D:</b> <b>Motor/gear</b> <b>Power</b>	<b>E:</b> <b>Speed m/min</b> <b>at 50 Hz</b>		
<b>5:</b> SEW SA37 0,37 kW	8 10 13 16	19 25 27 31	36
<b>6:</b> Lenze G500-B45 0,18 kW	13 15 17 19	21 25 28 31	36 41 45 52
<b>7:</b> Lenze G500-B110 0,18 kW	8 10 12 15	19 21 25 33	38 41
<b>8:</b> Lenze G500-B45 0,25 kW	19 22 25 28	32 36 41 46	52
<b>9:</b> Lenze G500-B110 0,25 kW	11 12 15 19	21 25 27 31	38 42 46 52
<b>10:</b> Lenze G500-B45 0,37 kW	28 32 37 42	47 54	

<b>D:</b> <b>Motor/gear</b> <b>Power</b>	<b>E:</b> <b>Speed m/min</b> <b>at 50 Hz</b>		
<b>11:</b> Lenze G500-B110 0,37 kW	11 13 16 20	22 25 28 32	34 39 43 47
<b>14:</b> Lenze Smart Motor G500-B45 max 0,47 kW	Adjustable speed 6-31 m/min		
<b>15:</b> Lenze Smart Motor G500-B45 max 0,47 kW	Adjustable speed 10-50 m/min		
	<b>W</b> Without motor/gear. Assembly position and shaft prepared for selected place- ment.		

If needed, roller transfers and brackets can be found on page 115.

## Series 620

### Cont. 620-31

#### Bracket for roller transfer and connecting strip between conveyors

The following configuration is listed on order number 620-31-ABC-D-E- **with one additional letter.**

**A** = 900-7112.

**B** = 900-7120.

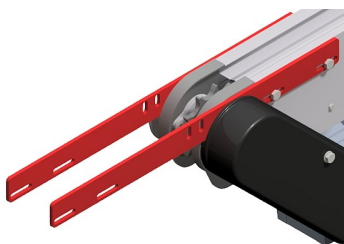
**C** = 900-7130, with 7 mm level difference

Order example 620-31-HL1-2-24-**A**

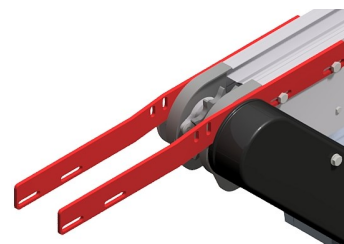
**A**



**B**



**C**



#### Bracket for roller transfer and connecting strip including roller transfer

The following configuration is listed on the existing order number 620-31-ABC-D-E- **with two extra letters.**

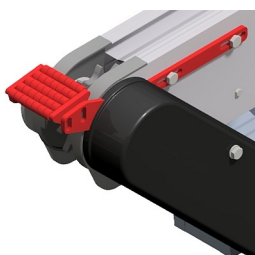
**AR** = 900-7112 and 900-7000

**BR** = 900-7120 and 900-7000

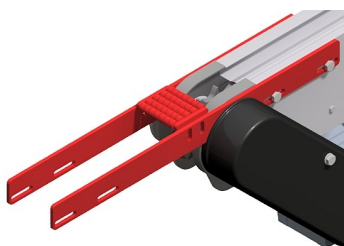
**CR** = 900-7130 and 900-7000, 7 mm level difference between conveyor.

Order example: 620-31-HL1-2-24-**AR**

**AR**



**BR**



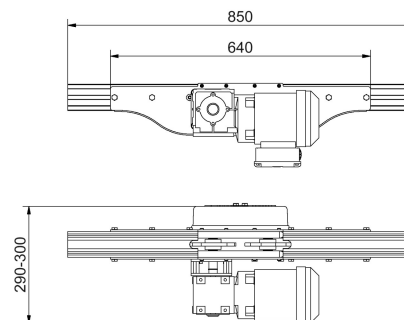
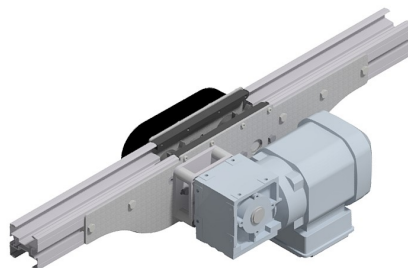
**CR**



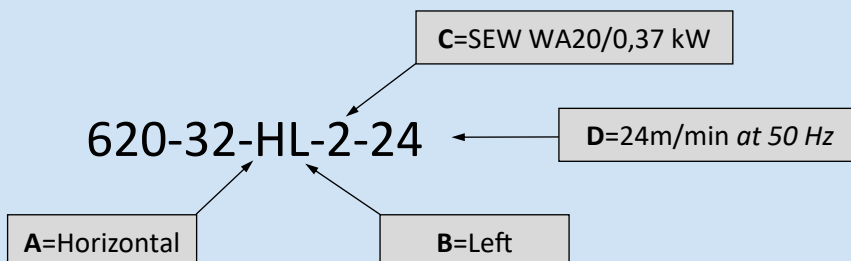
Series 620

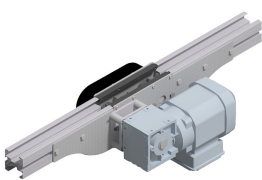
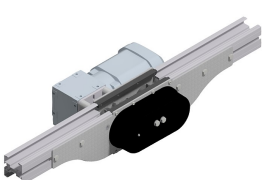
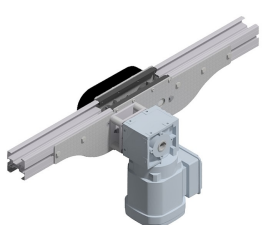
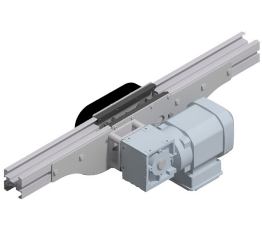
**620-32**

Drive unit with intermediate motor and returnchain S620.  
Configuration of default drive  
**620-32-AB-C-D.**



Order example



<b>A:</b> <u>Assembly position</u>	<b>B:</b> <u>Placement</u>	<b>C:</b> <u>Motor/gear</u> <u>Power</u>	<b>D:</b> <u>Speed m/min</u> <u>at 50 Hz</u>		
<b>H: Horizontal</b> 	<b>R: Right</b> 	<b>1:</b> SEW WA20 0,25 kW	8	18	34
			10	20	47
<b>V: Vertical</b> 	<b>L: Left</b> 	<b>2:</b> SEW WA20 0,37 kW	12	25	59
			15	29	
		<b>3:</b> SEW WA30 0,37 kW	18	34	
			20	48	
			25	59	
			30		
			6	15	30
			8	18	34
			10	20	48
			12	25	59
			<b>W</b> Without motor/gear. Assembly position and shaft prepared for selected placement. More options →		

Series 620

Cont. 620-32

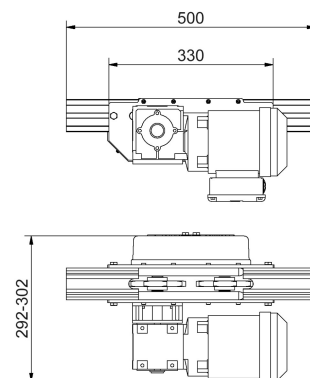
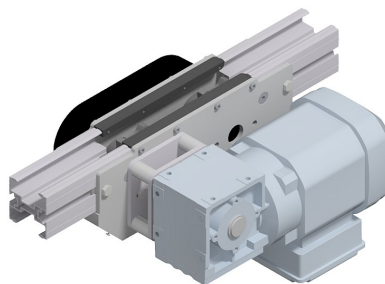
<b>C:</b> <b>Motor/gear</b> <b>Power</b>	<b>D:</b> <b>Speed m/min</b> <b>at 50 Hz</b>		
<b>5:</b> SEW SA37 0,37 kW	8 10 13 16	19 25 27 31	36
<b>6:</b> Lenze G500-B45 0,18 kW	13 15 17 19	21 25 28 31	36 41 45 52
<b>7:</b> Lenze G500-B110 0,18 kW	8 10 12 15	19 21 25 33	38 41
<b>8:</b> Lenze G500-B45 0,25 kW	19 22 25 28	32 36 41 46	52
<b>9:</b> Lenze G500-B110 0,25 kW	11 12 15 19	21 25 27 31	38 42 46 52
<b>10:</b> Lenze G500-B45 0,37 kW	28 32 37 42	47 54	

<b>C:</b> <b>Motor/gear</b> <b>Power</b>	<b>D:</b> <b>Speed m/min</b> <b>at 50 Hz</b>		
<b>11:</b> Lenze G500-B110 0,37 kW	11 13 16 20	22 25 28 32	34 39 43 47
<b>14:</b> Lenze Smart Motor G500-B45 max 0,47 kW	Adjustable speed 6-31 m/min		
<b>15:</b> Lenze Smart Motor G500-B45 max 0,47 kW	Adjustable speed 10-50 m/min		
	<b>W</b> Without motor/gear. Assembly position and shaft prepared for selected place- ment.		

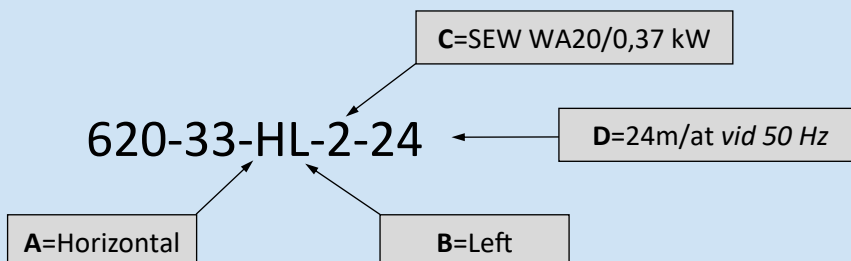
Series 620

**620-33**

Catenary drive unit for circuit conveyor S620.  
Configuration of default drive  
**620-33-AB-C-D.**



Order example



<b>A:</b> <u>Assembly position</u>	<b>B:</b> <u>Placement</u>	<b>C:</b> <u>Motor/gear</u> <u>Power</u>	<b>D:</b> <u>Speed m/min</u> <u>at 50 Hz</u>		
<b>H: Horizontal</b>  	<b>R: Right</b>  	<b>1:</b> SEW WA20 0,25 kW	8	18	34
			10	20	47
<b>V: Vertical</b>  	<b>L: Left</b>  	<b>2:</b> SEW WA20 0,37 kW	12	25	59
			15	29	
<b>V: Vertical</b>  	<b>L: Left</b>  	<b>3:</b> SEW WA30 0,37 kW	18	34	
			20	48	
<b>V: Vertical</b>  	<b>L: Left</b>  	<b>3:</b> SEW WA30 0,37 kW	25	59	
			30		
			6	15	30
			8	18	34
			10	20	48
			12	25	59
			<b>W</b> Without motor/gear. Assembly position and shaft prepared for selected placement. More options →		

Series 620

Cont. 620-33

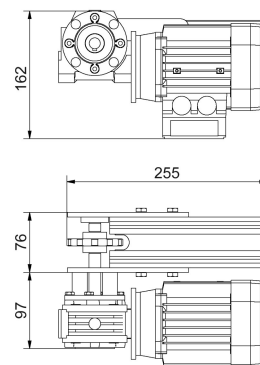
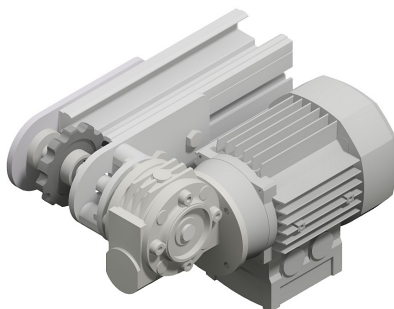
<b>C:</b> <b>Motor/gear</b> <b>Power</b>	<b>D:</b> <b>Speed m/min</b> <b>at 50 Hz</b>		
<b>5:</b> SEW SA37 0,37 kW	8 10 13 16	19 25 27 31	36
<b>6:</b> Lenze G500-B45 0,18 kW	13 15 17 19	21 25 28 31	36 41 45 52
<b>7:</b> Lenze G500-B110 0,18 kW	8 10 12 15	19 21 25 33	38 41
<b>8:</b> Lenze G500-B45 0,25 kW	19 22 25 28	32 36 41 46	52
<b>9:</b> Lenze G500-B110 0,25 kW	11 12 15 19	21 25 27 31	38 42 46 52
<b>10:</b> Lenze G500-B45 0,37 kW	28 32 37 42	47 54	

<b>C:</b> <b>Motor/gear</b> <b>Power</b>	<b>D:</b> <b>Speed m/min</b> <b>at 50 Hz</b>		
<b>11:</b> Lenze G500-B110 0,37 kW	11 13 16 20	22 25 28 32	34 39 43 47
<b>14:</b> Lenze Smart Motor G500-B45 max 0,47 kW	Adjustable speed 6-31 m/min		
<b>15:</b> Lenze Smart Motor G500-B45 max 0,47 kW	Adjustable speed 10-50 m/min		
	<b>W</b> Without motor/gear. Assembly position and shaft prepared for selected place- ment.		

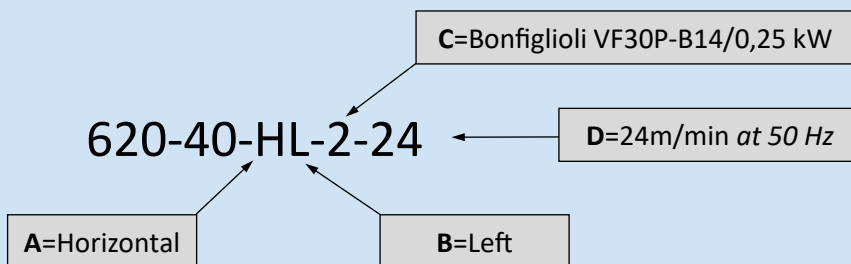
Series 620

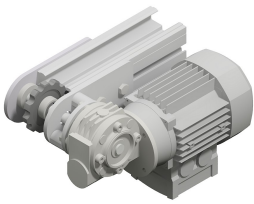
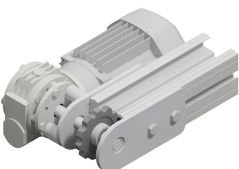

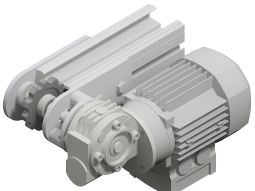
**620-40**

Drive unit for straight conveyor.  
Configuration of default drive  
**620-40-AB-C-D.**



Order example



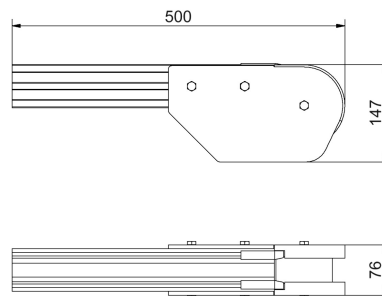
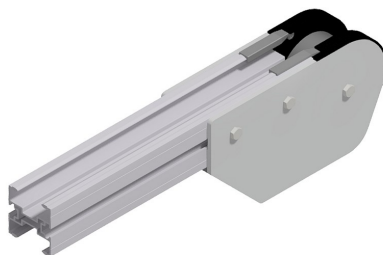
<b>A:</b> <u>Assembly position</u>	<b>B:</b> <u>Placement</u>	<b>C:</b> <u>Motor/gear</u> <u>Power</u>	<b>D:</b> <u>Speed m/min</u> <u>at 50 Hz</u>
<b>H:</b> Horizontal 	<b>R:</b> Right 	<b>1:</b> Bonfiglioli VF30P-B5 0,09 kW	7    23 8    30 11   46 15
		<b>2:</b> Bonfiglioli VF30P-B14 0,25 kW	8    30 11   46 15 23
<b>V:</b> Vertical 	<b>L:</b> Left 		
			<b>W</b> Without motor/gear. Assembly position and shaft prepared for selected place- ment. More options →

Series 620

### Idler unit

Standard idler unit for S620  
Weight 2200 g

Part no. 620-4005



### Bracket for roller transfer and bracket including roller transfer

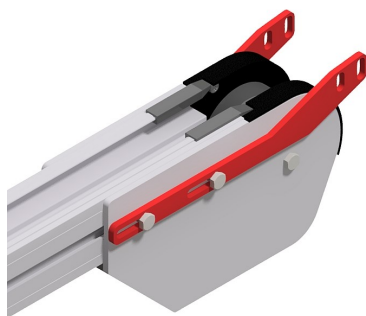
The following configuration is listed on the existing order number 620-4005- with one/ or two additional letter.

A = 900-7111

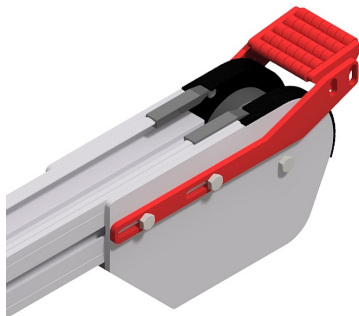
AR = 900-7111 and 900-7000

Order example: 620-4005-A

A



AR





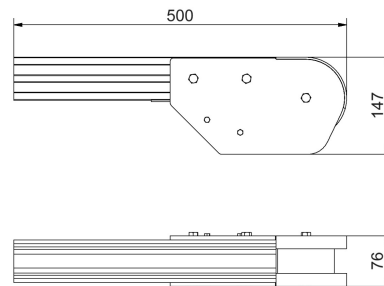
Series 620

**Idler unit**

Used as front idler unit for conveyor where drive unit 620-32 is included.  
Configuration of idler unit

**Part no. 620-4055-A**

If needed, roller transfers and brackets can be found on page 124.



**Order example**

**620-4055-1** ← **A=620-2000**

<b>A:</b>			
<b><u>Transportörskedja</u></b>			
<b>1:</b> 620-2000 620-2010	<b>2:</b> 620-2189 620-2179	<b>3:</b> 620-2065 620-2135	<b>4:</b> 620-2130

## Series 620

### Cont. 620-4055-A

#### Bracket for roller transfer and connecting strip between conveyors

The following configuration is listed on order number 620-4055-A- **with one additional letter**.

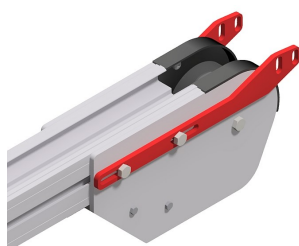
**A** = 900-7112.

**B** = 900-7120.

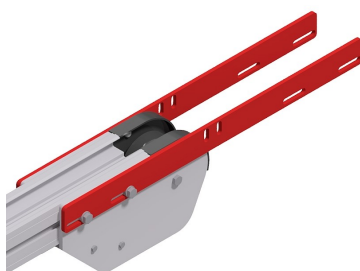
**C** = 900-7130, 7 mm level difference.

Order example: 620-4055-1-A

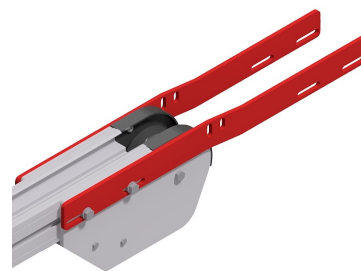
**A**



**B**



**C**



#### Bracket for roller transfer and connecting strip including roller transfer

The following configuration is listed on the existing order number 620-4055-1- **with two extra letters**.

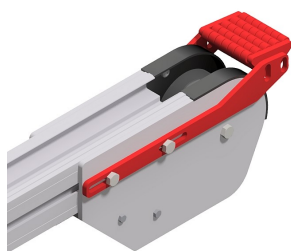
**AR** = 900-7112 and 900-7000

**BR** = 900-7120 and 900-7000

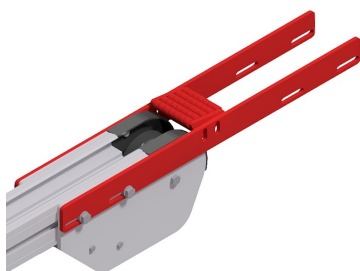
**CR** = 900-7130 and 900-7000, 7 mm level difference.

Order example: 620-4055-1-AR

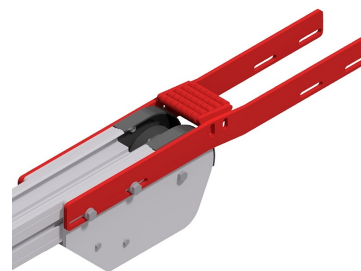
**AR**



**BR**



**CR**

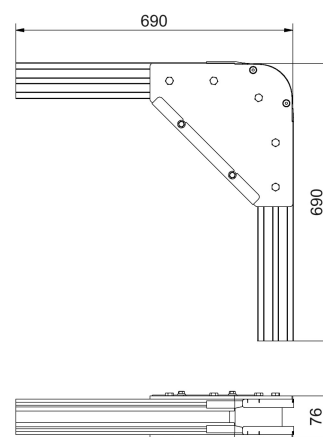
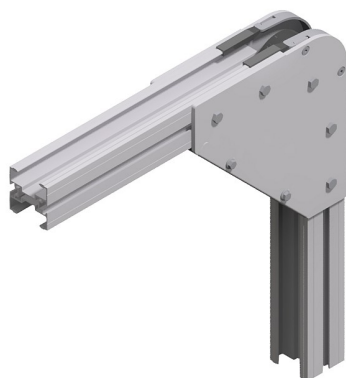


Series 620

### Idler unit

Idler unit 90° for S620

Part no. 16970



### Bracket for roller transfer and bracket including roller transfer

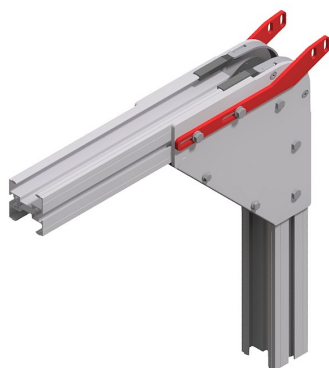
The following configuration is listed on the existing order number 16970- with one/ or two additional letter.

A = 900-7111

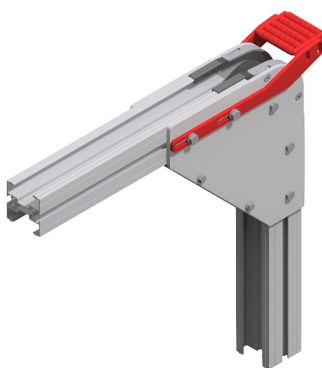
AR = 900-7111 and 900-7000

Order example: 16970-A

A



AR

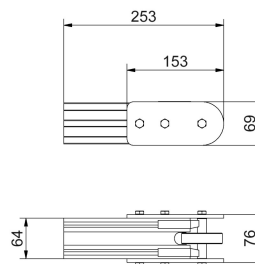
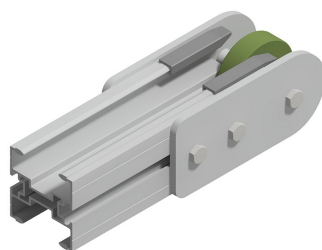


## Series 620

**Idler unit**

Used for straight going chain together with drive 620-40.

**Part no. 620-4060**



Series 620

**Wheel bend**

Standard wheel bend S620 with R141 mm Aluminum profile and wheel in plastic

Configuration of default wheel bend  
**Part no. 620-5025-A**

A= Angle on bend

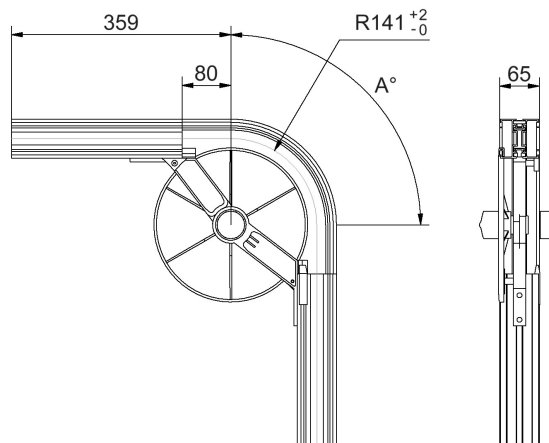
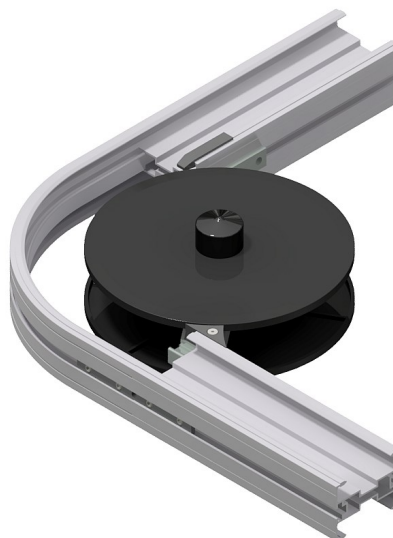
Standard angles for R141
A = 45°
A = 90°
A = 180°

Other angles are manufactured on request  
 Connecting strip 100-7010 is ordered separately

Order example

**620-5025-45**

A= 45°



Series 620

**Wheel bend**

Standard wheel bend S620 with R 191 mm  
Aluminum profile and wheel in plastic

Configuration of default wheel bend  
**Part no. 620-5055-A**

A= Angle on bend

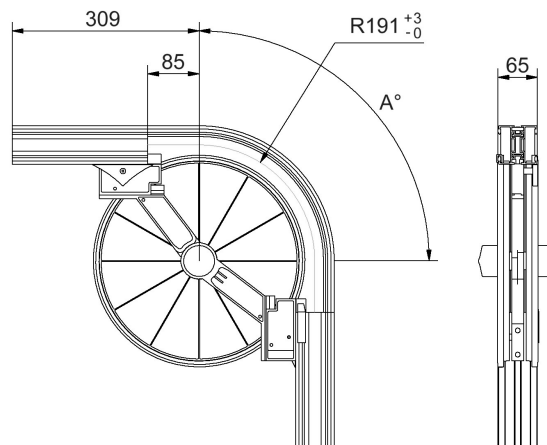
Standard angles for R191
A = 45°
A = 90°
A = 180°

Other angles are manufactured on request  
Connecting strip 100-7010 is ordered separately

Order example

**620-5055-45**

**A= 45°**

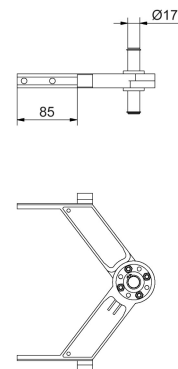
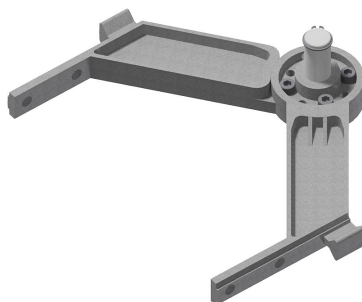


Series 620

**Adjustable support assembly**

Support assembly for wheel bend R141 S620  
 Complete with shaft  
 Zinc die-cast and stainless steel  
 Weight 690 g

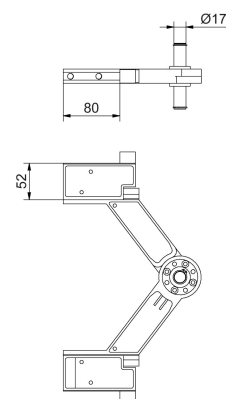
Part no. 830-5026



**Adjustable support assembly**

Support assembly for wheel bend R191 S620  
 Complete with shaft  
 Zinc die-cast and stainless steel  
 Weight 1380 g

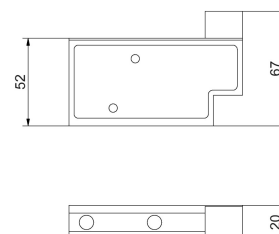
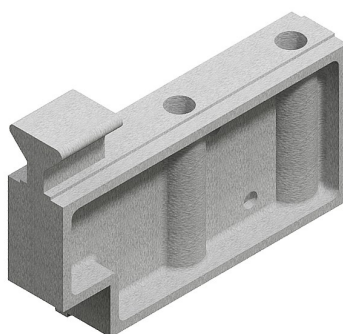
Part no. 830-5056



**Spacer**

For adjustable support assembly  
 Zinc die-cast  
 Weight 240 g

Part no. 830-5057

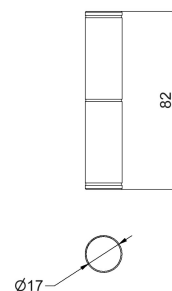


Series 620

**Shaft**

For wheel bend R141  
Stainless steel  
Weight 145 g

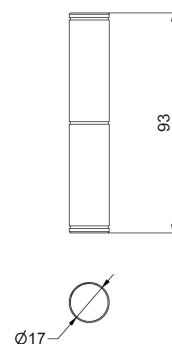
**Part no. 830-5028**



**Shaft**

For wheel bend R191  
Stainless steel  
Weight 165 g

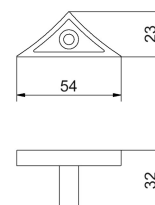
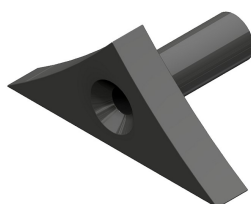
**Part no. 830-5058**



**Pinch guard**

For wheel bend R141  
Black polyamide  
Weight 6 g

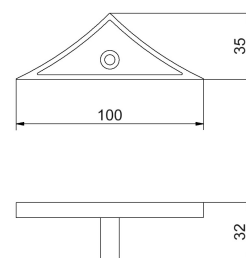
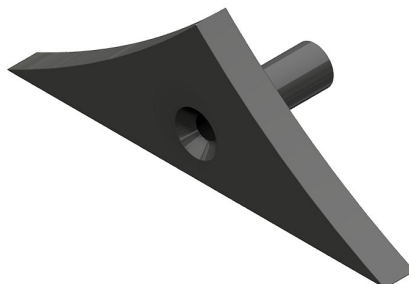
**Part no. 830-5029**



**Pinch guard**

For wheel bend R191  
Black polyamide  
Weight 11 g

**Part no. 830-5059**





Series 620

**Disc**

To wheel bend R141  
 Complete with bearing 6003-2Z  
 Black nylon

Weight 335 g

Part no. 830-5027

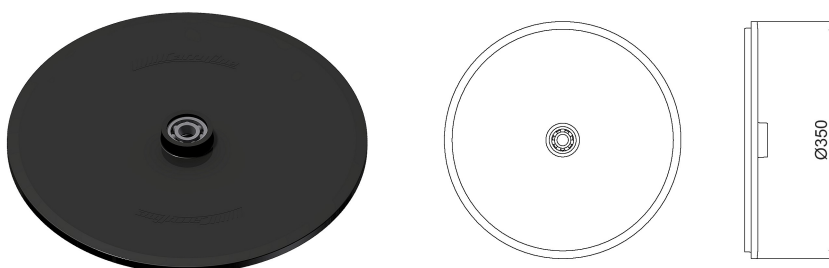


**Disc**

To wheel bend R191  
 Complete with bearing 6203-2Z  
 Black nylon

Weight 825 g

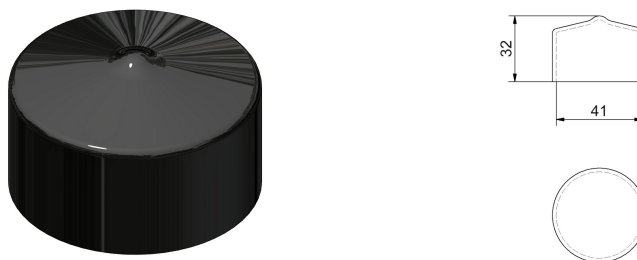
Part no. 830-5060



**Plastic cover**

To wheel bend Ø252  
 Black PVC  
 Weight 11 g

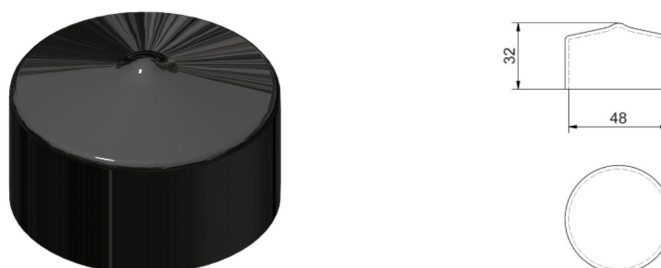
Part no. 830-5031



**Plastic cover**

To wheel bend Ø350  
 Black PVC  
 Weight 15 g

Part no. 830-5062



Series 620

**Plain bend**

Standard plain bend S620 consists of two aluminum profiles and plastic clamp

Plain bend configuration

**Part no. 620-5375-A-B**

A= Bend radius

B= Angle on bend

The following radius and angles are standard

A = Radius	B = Angle
191 mm	15°, 30°, 45°, 90°, 180°
289 mm	15°, 30°, 45°, 90°, 180°
389 mm	15°, 30°, 45°, 90°, 180°
489 mm	15°, 30°, 45°, 90°, 180°
589 mm	15°, 30°, 45°, 90°, 180°

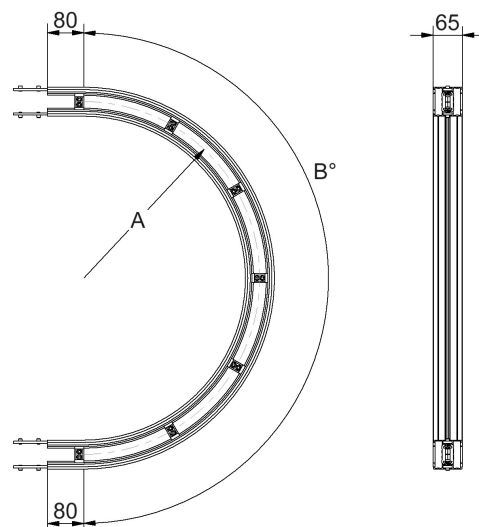
Other radius and angles are manufactured on request

Order example

**620-5375-389-90**

A= 389 mm

B= 90°



Series 620

**Vertical bend**

Standard vertical bend R400  
Anodized aluminum and curve clamps in plastic

Vertical bend configuration  
**Part no. 620-5645-A**

A= Angle on bend

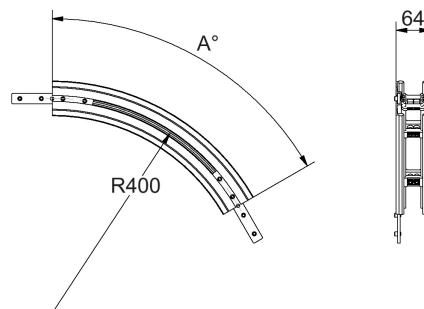
Standard angles for R400
A = 10°
A = 15°
A = 20°
A = 30°
A = 45°
A = 60°
A = 90°

Other radius and angles are manufactured on request.  
Minimum 10°

Order example

**620-5645-45**

A= 45°



Series 620

**Vertical bend**

Standard vertical bend R860  
Anodized aluminum and curve clamps in plastic

Vertical bend configuration  
**Part no. 620-5695-A**

A= Angle on bend

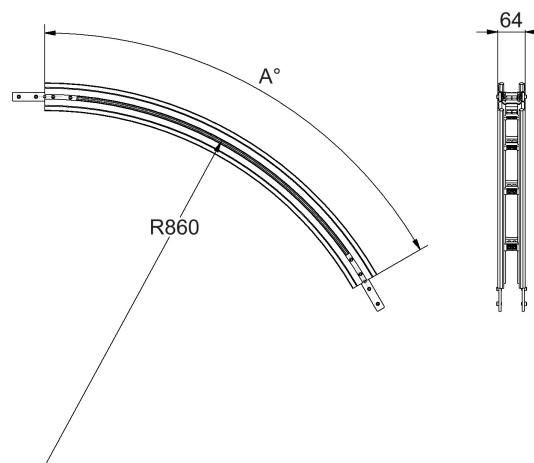
Standard angles for R860
A = 5°
A = 10°
A = 15°
A = 20°
A = 30°
A = 45°
A = 60°
A = 90°

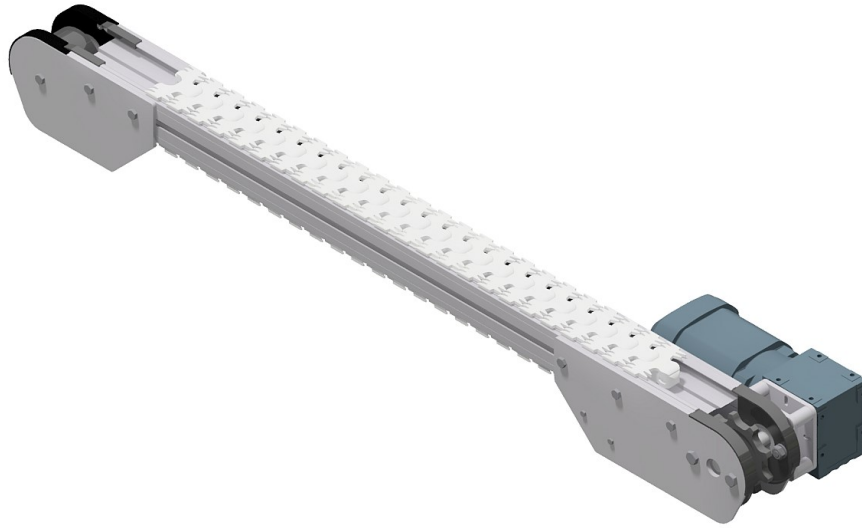
Other radius and angles are manufactured on request.  
Minimum 5°


Order example

620-5695-45

A= 45°



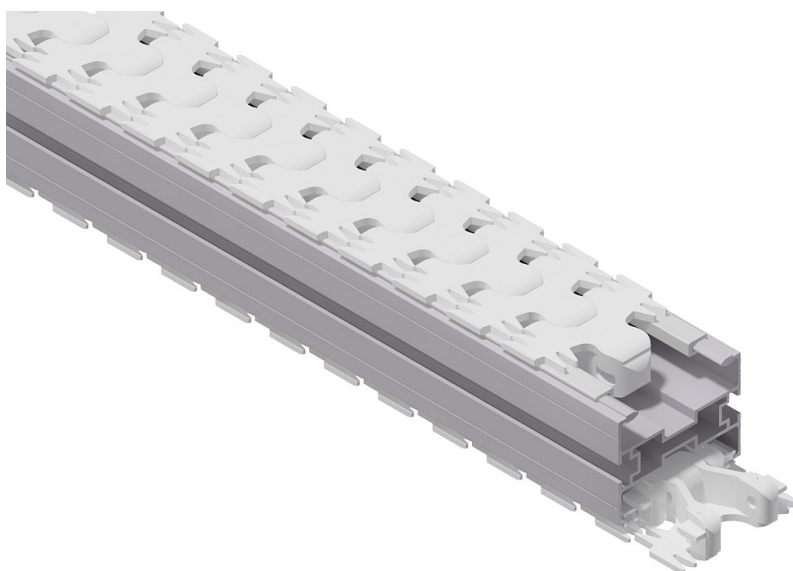


 STEP-files S830

# S830



Series 830



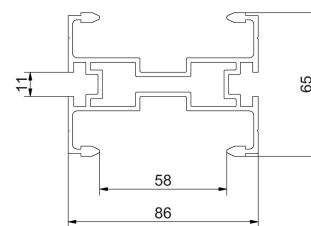
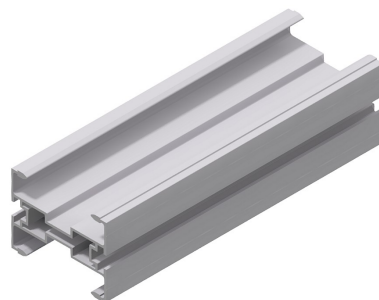
Technical specification S830	
Width of chain	83 mm
Chain pitch	38 mm
Width conveyor profile	86 mm
Height conveyor	80 mm
Radius conveyor chain on the drive and idler unit	70 mm
Max. permitted traction on the conveyor chain	1250 N
Weight conveyor	≈ 7 kg/m **
Recommended maximum load on conveyor	≈ 200 kg *
Recommended maximum load	≈ 20 kg/m *
Recommended maximum length of conveyor	≈ 20 m *
Recommended maximum speed	50 m/min
Minimum radius on plain bend	R 150 mm
Wheel curve radius	R 150 mm and R 200 mm
Vertical bend radius	R 400 mm and R 860 mm
Motor	0,18 - 0,37 kW
Noise level	< 70 dB (A)
Chain material	Acetal
Conveyor profile material	Anodized aluminum
* Recommended maximum length depends on the design, load and number of bends.	
** The weight of the conveyor depends on which type of chain, guide rail and guide rail bracket.	

Series 830

### Conveyor profile S830

Anodized aluminum  
Weight 2400 g/m  
Length 5.8 m  
Qty/package 15 pcs

Part no. 830-1000



Series 830

### Conveyor chain S830

Acetal, nylon and stainless steel.

Standard version top flights are made of white acetal which is food approved

Allowed traction force 1250 N.

On request, chain and top flight can be delivered in non-standard material.

Enter the following additional letter.

**L** = Low friction

**V** = Heat resistance

**A** = Antistatic

**F** = Flocked

Order example 830-2000L

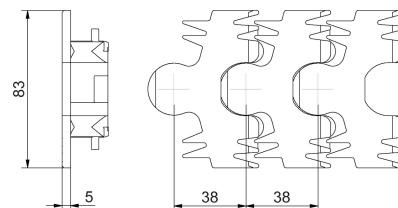
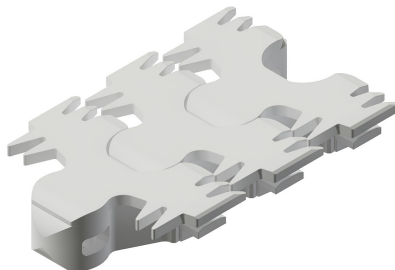
### Finger chain

Slat standard chain for S830 and S530

Weight 1420 g/m

Qty 27 pcs/m

**Part no. 830-2000**



Top flight for standard chain

**Part no. 830-2001**

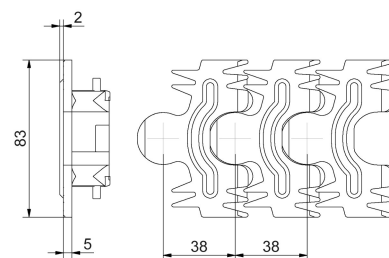
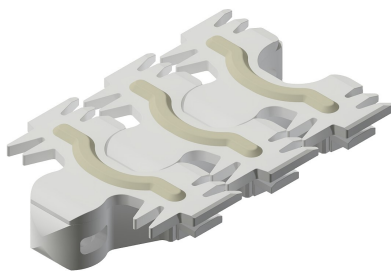
### Finger chain

Standard chain with friction top flight for S830 and S530

Weight 1440 g/m

Qty 27 pcs/m

**Part no. 830-2010**



Top flight for friction chain

**Art.nr 830-2011**



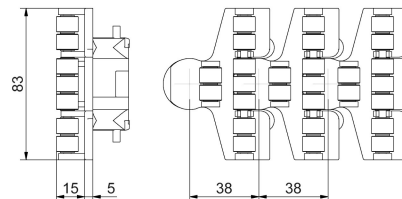
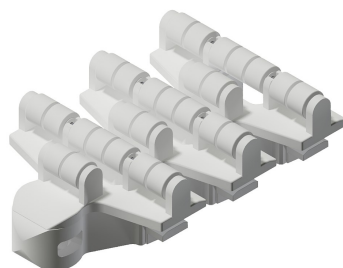
Series 830

**Chain with rollers**

For S830 and S530

Weight 2030 g/m  
Qty 27 pcs/m

**Part no. 830-2050**

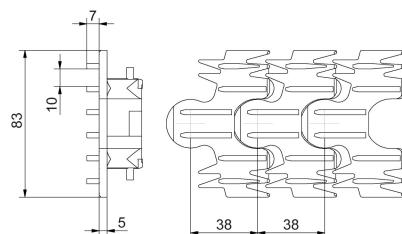
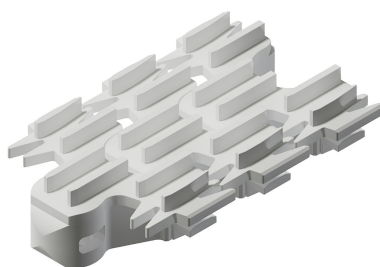


Top flight to roller chain  
**Part no. 830-2051**

**Rib chain**

To S830 and S530  
Weight 1550 g/m  
Qty 27 pcs/m

**Part no. 830-2055**

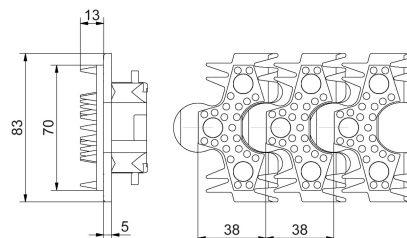
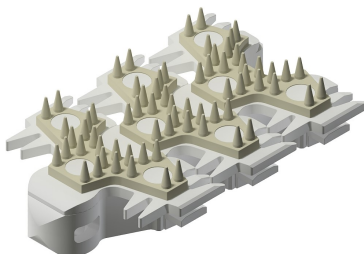


Top flight to rib chain  
**Part no. 830-2056**

**Friction chain**

Friction chain with soft pimples  
To S830 and S530  
Weight 1600 g/m  
Qty 27 pcs/m

**Part no. 830-2110**



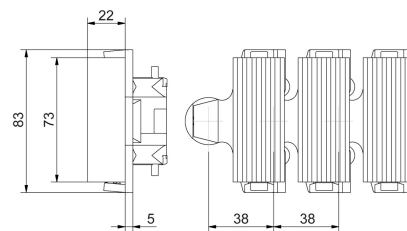
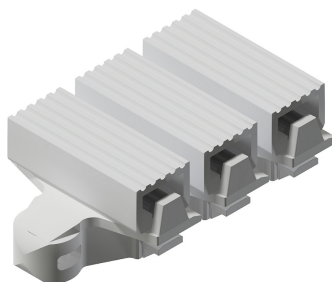
Top flight to friction chain with soft  
pimples  
**Part no. 830-2111**

Series 830

### Side grip chain

For S830 and S530  
Weight 2260 g/m  
Qty 27 pcs/m

Part no. 830-2120

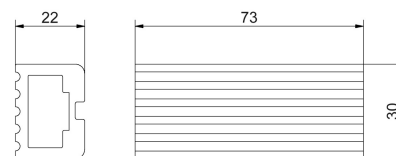
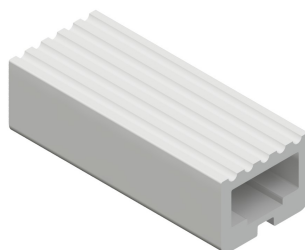


Top flight to side grip chain  
Part no. 830-2121

### Rubber block

Rubber block for chain 830-2120  
White TPE  
Weight 27 g

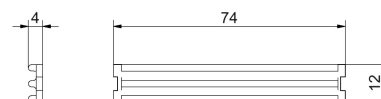
Part no. 830-2122



### Locking rail

Locking rail for 830-2122  
Black reinforced nylon  
Weight 4 g

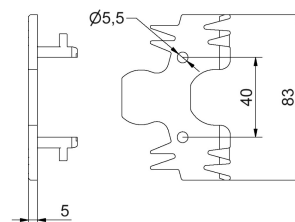
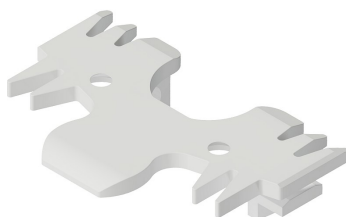
Part no. 830-2123



Series 830

**Top flight**

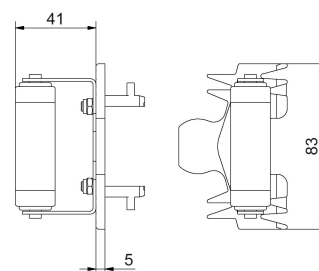
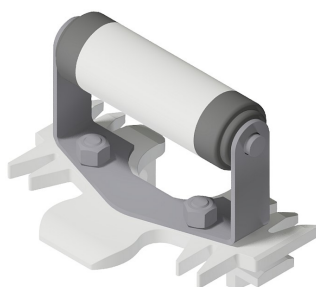
With holes for carrier  
For S830 and S530  
Weight 20 g



**Part no. 830-2075**

**Top flight**

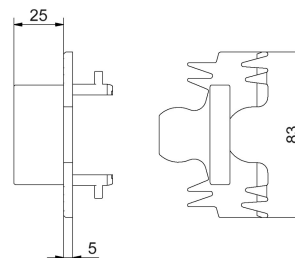
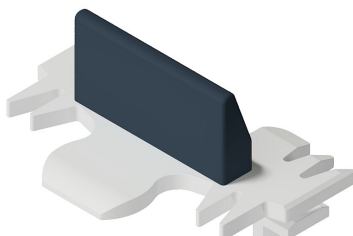
With roller carrier  
For S830 and S530  
Weight 75 g



**Part no. 830-2079**

**Top flight**

With carrier  
For S830 and S530  
Weight 33 g



**Part no. 830-2081**

Series 830

**830-30**

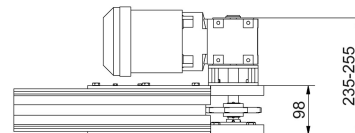
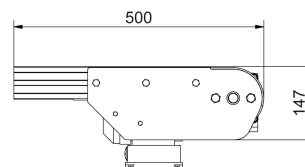
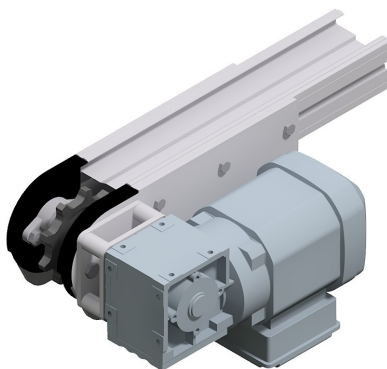
Drive unit with direct transmission S830.

Configuration of default drive with direct transmission **830-30-ABC-D-E**.

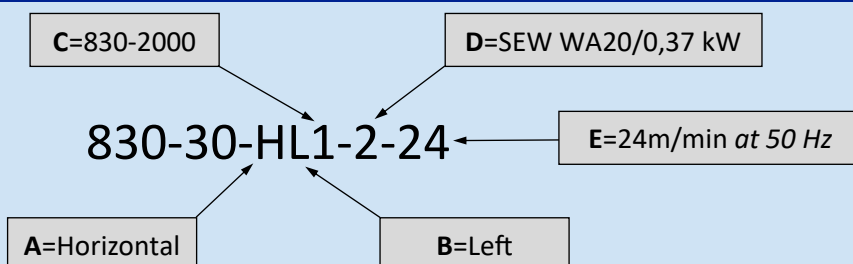
If needed, roller transfers and brackets can be found on page 142.

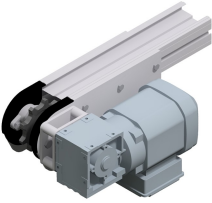
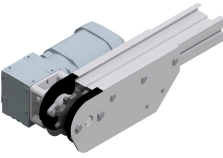
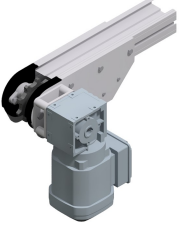
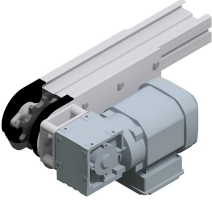
Weight without motor 3900 g

Weight with motor 10900-16900 g



Order example



<b>A:</b> <u>Assembly position</u>	<b>B:</b> <u>Placement</u>	<b>C:</b> <u>Conveyor chain</u>	<b>D:</b> <u>Motor/gear</u> <u>Power</u>	<b>E:</b> <u>Speed m/min</u> <u>at 50 Hz</u>
<b>H:</b> Horizontal 	<b>R:</b> Right 	<b>1:</b> 830-2000 830-2010	<b>1:</b> SEW WA20 0,25 kW	8    18    34 10    20    47 12    25 15    29
		<b>2:</b> 830-2081		<b>2:</b> SEW WA20 0,37 kW
<b>V:</b> Vertical 	<b>L:</b> Left 	<b>3:</b> 830-2055 830-2079 830-2110	<b>3:</b> SEW WA30 0,37 kW	6    15    30 8    18    34 10    20    48 12    25
		<b>4:</b> 830-2050		<b>4:</b> SEW WA30 0,55 kW
				<b>W</b> Without motor/gear. Assembly position and shaft prepared for selected place- ment. More options →

Series 830

Cont. 830-30

<b>D:</b> <u>Motor/gear</u> <u>Power</u>	<b>E:</b> <u>Speed m/min</u> <u>at 50 Hz</u>		
<b>5:</b> SEW SA37 0,37 kW	8 10 13 16	19 25 27 31	36
<b>6:</b> Lenze G500-B45 0,18 kW	13 15 17 19	21 25 28 31	36 41 45
<b>7:</b> Lenze G500-B110 0,18 kW	8 10 12 15	19 21 25 33	38 41
<b>8:</b> Lenze G500-B45 0,25 kW	19 22 25 28	32 36 41 46	
<b>9:</b> Lenze G500-B110 0,25 kW	11 12 15 19	21 25 27 31	38 42 46
<b>10:</b> Lenze G500-B45 0,37 kW	28 32 37 42	47	

<b>D:</b> <u>Motor/gear</u> <u>Power</u>	<b>E:</b> <u>Speed m/min</u> <u>at 50 Hz</u>		
<b>11:</b> Lenze G500-B110 0,37 kW	11 13 16 20	22 25 28 32	34 39 43 47
<b>12:</b> Lenze G500-B45 0,55 kW	26 28 32 37	42 47	
<b>13:</b> Lenze G500-B110 0,55 kW	17 20 22 25	28 31 39 43	47
<b>14:</b> Lenze Smart Motor G500-B45 max 0,47 kW	Adjustable speed 6-31 m/min		
<b>15:</b> Lenze Smart Motor G500-B45 max 0,47 kW	Adjustable speed 10-50 m/min		
	<b>W</b> Without motor/gear. Assembly position and shaft prepared for selected place- ment.		

If needed, roller transfers and brackets can be found at page 142.

## Series 830

## Cont. 830-30

## Bracket for roller transfer and connecting strip between conveyors

The following configuration is listed on order number 830-30-ABC-D-E- **with one additional letter**.

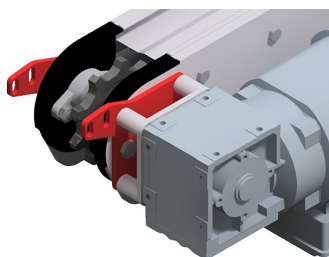
**A** = 900-3117 and 900-7112.

**B** = 900-3119 and 900-7120.

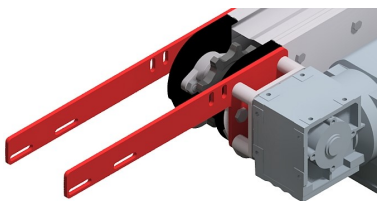
**C** = 900-3118 and 900-7130, 7 mm level difference.

Order example: 830-30-HL1-2-24-A

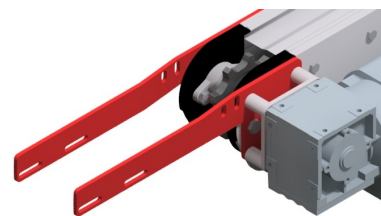
A



B



C



## Bracket for roller transfer and connecting strip including roller transfer

The following configuration is listed on the existing order number 830-30-ABC-D-E- **with two extra letters**.

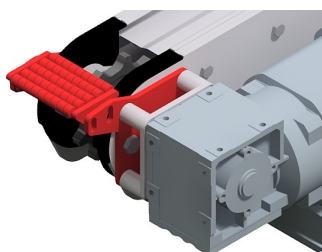
**AR** = 900-3117, 900-7112 and 900-7010

**BR** = 900-3119, 900-7120 and 900-7010

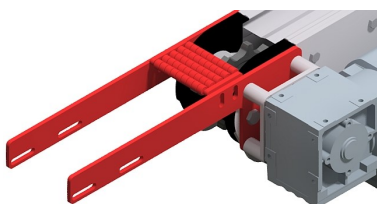
**CR** = 900-3118, 900-7130 and 900-7010, 7 mm level difference.

Order example: 830-30-HL1-2-24-AR

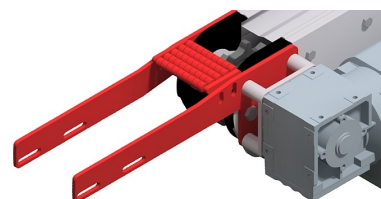
AR



BR



CR

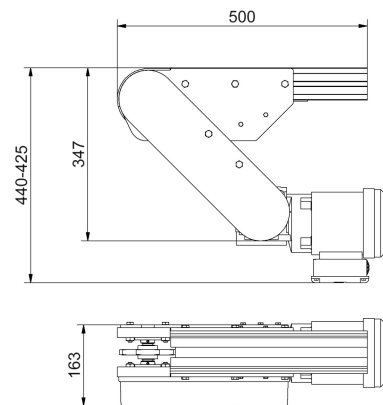
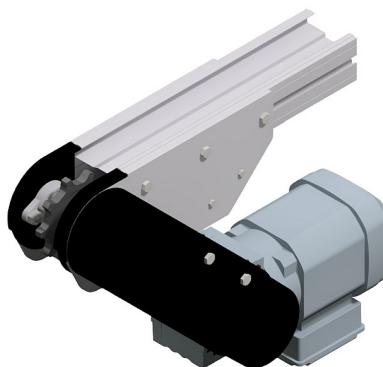


Series 830

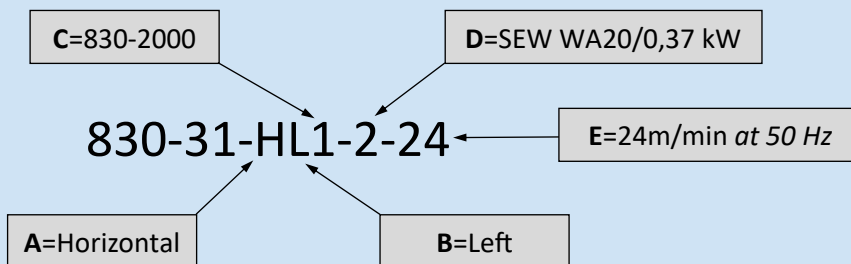
**830-31**

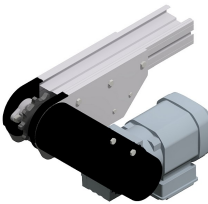
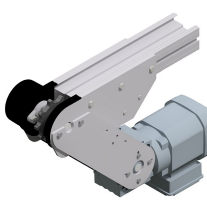

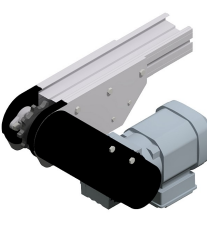
Drive unit with suspended motor S830.  
Configuration of default drive  
**830-31-ABC-D-E.**

If needed, roller transfers and brackets  
can be found at page 145.



Order example



<b>A:</b> <u>Assembly position</u>	<b>B:</b> <u>Placement</u>	<b>C:</b> <u>Conveyor chain</u>	-	<b>D:</b> <u>Motor/gear</u> <u>Power</u>	<b>E:</b> <u>Speed m/min</u> <u>at 50 Hz</u>												
<b>H:</b> Horizontal  	<b>R:</b> Right  	<b>1:</b> 830-2000 830-2010	-	<b>1:</b> SEW WA20 0,25 kW	<table border="1"> <tr><td>8</td><td>18</td><td>34</td></tr> <tr><td>10</td><td>20</td><td>47</td></tr> <tr><td>12</td><td>25</td><td></td></tr> <tr><td>15</td><td>29</td><td></td></tr> </table>	8	18	34	10	20	47	12	25		15	29	
		8		18	34												
10	20	47															
12	25																
15	29																
<b>2:</b> 830-2081	<b>2:</b> SEW WA20 0,37 kW	<table border="1"> <tr><td>18</td><td>34</td><td></td></tr> <tr><td>20</td><td>48</td><td></td></tr> <tr><td>25</td><td></td><td></td></tr> <tr><td>30</td><td></td><td></td></tr> </table>	18	34		20	48		25			30					
18	34																
20	48																
25																	
30																	
<b>V:</b> Vertical  	<b>L:</b> Left  	<b>3:</b> 830-2055 830-2079 830-2110	-	<b>3:</b> SEW WA30 0,37 kW	<table border="1"> <tr><td>6</td><td>15</td><td>30</td></tr> <tr><td>8</td><td>18</td><td>34</td></tr> <tr><td>10</td><td>20</td><td>48</td></tr> <tr><td>12</td><td>25</td><td></td></tr> </table>	6	15	30	8	18	34	10	20	48	12	25	
		6		15	30												
8	18	34															
10	20	48															
12	25																
<b>4:</b> 830-2050	<b>4:</b> SEW WA30 0,55 kW	<table border="1"> <tr><td>15</td><td>34</td><td></td></tr> <tr><td>18</td><td>48</td><td></td></tr> <tr><td>20</td><td></td><td></td></tr> <tr><td>30</td><td></td><td></td></tr> </table>	15	34		18	48		20			30					
15	34																
18	48																
20																	
30																	
					<b>W</b> Without motor/gear. Assembly position and shaft prepared for selected place- ment. More options →												

Series 830

Cont. 830-31

<b>D:</b> <b>Motor/gear</b> <b>power</b>	<b>E:</b> <b>Speed m/min</b> <b>at 50 Hz</b>		
<b>5:</b> SEW SA37 0,37 kW	8 10 13 16	19 25 27 31	36
<b>6:</b> Lenze G500-B45 0,18 kW	13 15 17 19	21 25 28 31	36 41 45
<b>7:</b> Lenze G500-B110 0,18 kW	8 10 12 15	19 21 25 33	38 41
<b>8:</b> Lenze G500-B45 0,25 kW	19 22 25 28	32 36 41 46	
<b>9:</b> Lenze G500-B110 0,25 kW	11 12 15 19	21 25 27 31	38 42 46
<b>10:</b> Lenze G500-B45 0,37 kW	28 32 37 42	47	

<b>D:</b> <b>Motor/gear</b> <b>power</b>	<b>E:</b> <b>Speed m/min</b> <b>at 50 Hz</b>		
<b>11:</b> Lenze G500-B110 0,37 kW	11 13 16 20	22 25 28 32	34 39 43 47
<b>12:</b> Lenze G500-B45 0,55 kW	26 28 32 36	42 47	
<b>13:</b> Lenze G500-B110 0,55 kW	17 20 22 25	28 31 39 43	47
<b>14:</b> Lenze Smart Motor G500-B45 max 0,47 kW	Adjustable speed 6-31 m/min		
<b>15:</b> Lenze Smart Motor G500-B45 max 0,47 kW	Adjustable speed 10-50 m/min		
	<b>W</b> Without motor/gear. Assembly position and shaft prepared for selected place- ment.		

If needed, roller transfers and brackets can be found at page 145.



## Series 830

### Cont. 830-31

#### Bracket for roller transfer and connecting strip between conveyors

The following configuration is listed on order number 830-31-ABC-D-E- **with one additional letter.**

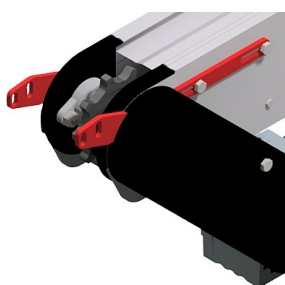
**A** = 900-7112.

**B** = 900-7120.

**C** = 900-7130, 7 mm level difference.

Order example: 830-31-HL1-2-24-A

**A**



**B**



**C**



#### Bracket for roller transfer and connecting strip including roller transfer

The following configuration is listed on the existing order number 830-31-ABC-D-E- **with two extra letters.**

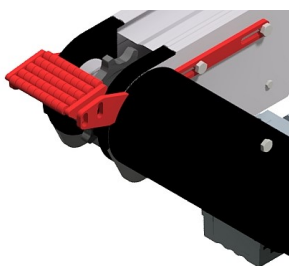
**AR** = 900-7112 and 900-7010

**BR** = 900-7120 and 900-7010

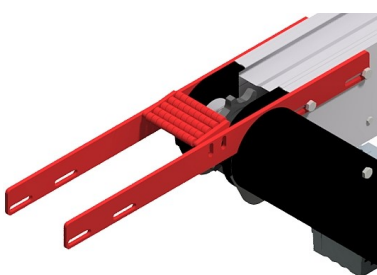
**CR** = 900-7130 and 900-7010, 7 mm level difference.

Order example: 830-31-HL1-2-24-AR

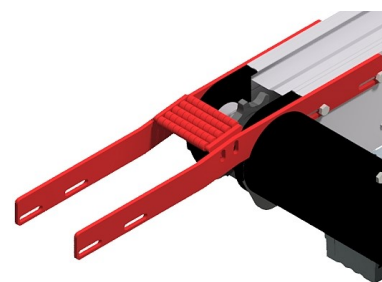
**AR**



**BR**



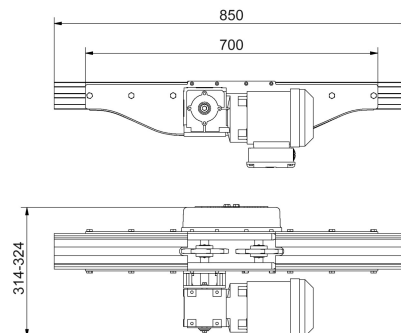
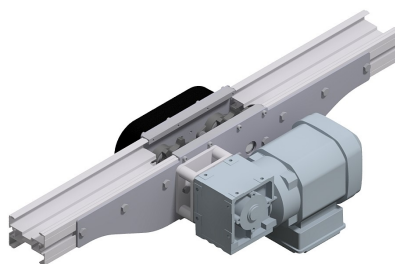
**CR**



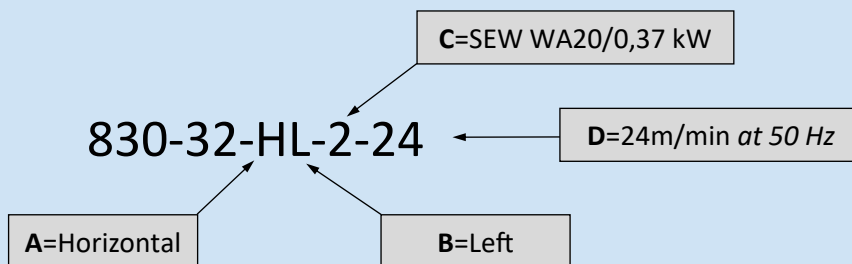
Series 830

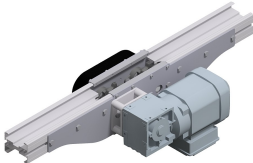
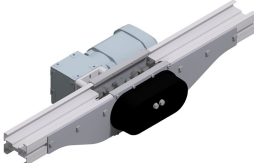
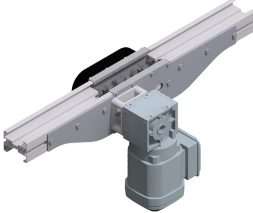
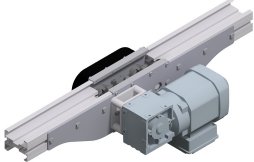
**830-32**

Drive unit with intermediate motor and returnchain S830.  
Configuration of default drive  
**830-32-AB-C-D.**



Order example



<b>A:</b> <u>Assembly position</u>	<b>B:</b> <u>Placement</u>	<b>C:</b> <u>Motor/gear</u> <u>Power</u>	<b>D:</b> <u>Speed m/min</u> <u>at 50 Hz</u>		
<b>H:</b> Horizontal 	<b>R:</b> Right 	<b>1:</b> SEW WA20 0,25 kW	8	18	34
			10	20	47
<b>V:</b> Vertical 	<b>L:</b> Left 	<b>2:</b> SEW WA20 0,37 kW	18	34	
			20	48	
		<b>3:</b> SEW WA30 0,37 kW	6	15	30
			8	18	34
		<b>4:</b> SEW WA30 0,55 kW	10	20	48
			12	25	
			15	34	
			18	48	
			20		
			30		
			<b>W</b> Without motor/gear. Assembly position and shaft prepared for selected place- ment. More options →		

Series 830

Cont. 830-32

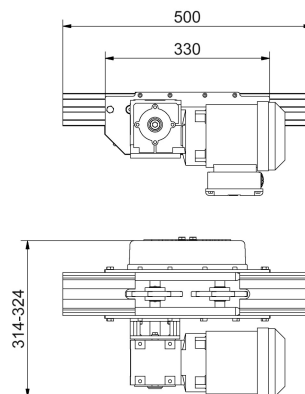
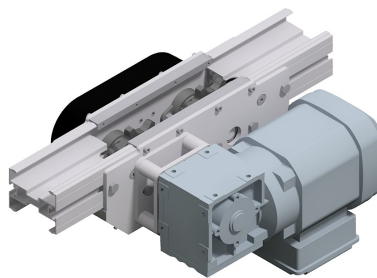
<b>C:</b> <b>Motor/gear</b> <b>power</b>	<b>D:</b> <b>Speed m/min</b> <b>at 50 Hz</b>		
<b>5:</b> SEW SA37 0,37 kW	8 10 13 16	19 25 27 31	36
<b>6:</b> Lenze G500-B45 0,18 kW	13 15 17 19	21 25 28 31	36 41 45
<b>7:</b> Lenze G500-B110 0,18 kW	8 10 12 15	19 21 25 33	38 41
<b>8:</b> Lenze G500-B45 0,25 kW	19 22 25 28	32 36 41 46	
<b>9:</b> Lenze G500-B110 0,25 kW	11 12 15 19	21 25 27 31	38 42 46
<b>10:</b> Lenze G500-B45 0,37 kW	28 32 37 42	47	

<b>C:</b> <b>Motor/gear</b> <b>power</b>	<b>D:</b> <b>Speed m/min</b> <b>at 50 Hz</b>		
<b>11:</b> Lenze G500-B110 0,37 kW	11 13 16 20	22 25 28 32	34 39 43 47
<b>12:</b> Lenze G500-B45 0,55 kW	26 28 32 36	42 47	
<b>13:</b> Lenze G500-B110 0,55 kW	17 20 22 25	28 31 39 43	47
<b>14:</b> Lenze Smart Motor G500-B45 max 0,47 kW	Adjustable speed 6-31 m/min		
<b>15:</b> Lenze Smart Motor G500-B45 max 0,47 kW	Adjustable speed 10-50 m/min		
	<b>W</b> Without motor/gear. Assembly position and shaft prepared for selected place- ment.		

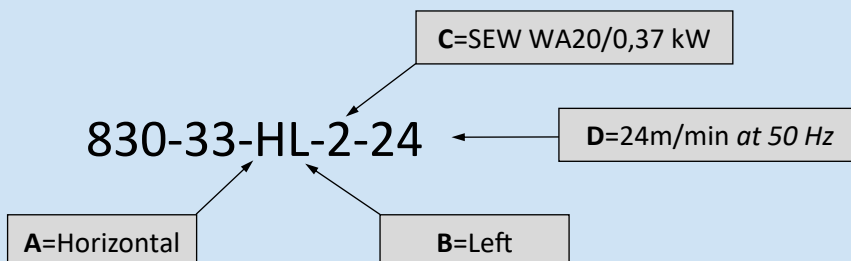
Series 830

**830-33**

Catenary drive unit for circuit conveyor S830.  
Configuration of default drive  
**830-33-AB-C-D.**



Order example



<b>A:</b> <u>Assembly position</u>	<b>B:</b> <u>Placement</u>	<b>C:</b> <u>Motor/gear</u> <u>Power</u>	<b>D:</b> <u>Speed m/min</u> <u>at 50 Hz</u>
<b>H:</b> Horizontal  	<b>R:</b> Right  	<b>1:</b> SEW WA20 0,25 kW	8    18    34 10    20    47 12    25 15    29
		<b>2:</b> SEW WA20 0,37 kW	18    34 20    48 25 30
<b>V:</b> Vertical  	<b>L:</b> Left  	<b>3:</b> SEW WA30 0,37 kW	6    15    30 8    18    34 10    20    48 12    25
		<b>4:</b> SEW WA30 0,55 kW	15    34 18    48 20 30
			<b>W</b> Without motor/gear. Assembly position and shaft prepared for selected place- ment. More options →

Series 830

Cont. 830-33

<b>C:</b> <b>Motor/gear</b> <b>power</b>	<b>D:</b> <b>Speed m/min</b> <b>at 50 Hz</b>		
<b>5:</b> SEW SA37 0,37 kW	8 10 13 16	19 25 27 31	36
<b>6:</b> Lenze G500-B45 0,18 kW	13 15 17 19	21 25 28 31	36 41 45
<b>7:</b> Lenze G500-B110 0,18 kW	8 10 12 15	19 21 25 33	38 41
<b>8:</b> Lenze G500-B45 0,25 kW	19 22 25 28	32 36 41 46	
<b>9:</b> Lenze G500-B110 0,25 kW	11 12 15 19	21 25 27 31	38 42 46
<b>10:</b> Lenze G500-B45 0,37 kW	28 32 37 42	47	

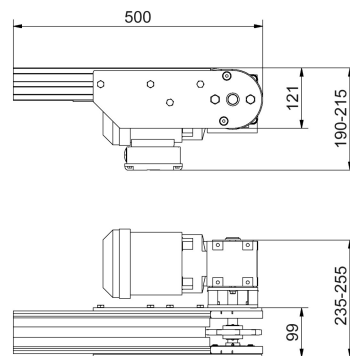
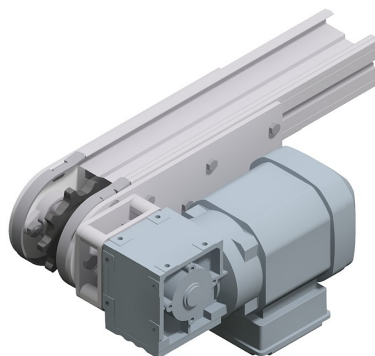
<b>C:</b> <b>Motor/gear</b> <b>power</b>	<b>D:</b> <b>Speed m/min</b> <b>at 50 Hz</b>		
<b>11:</b> Lenze G500-B110 0,37 kW	11 13 16 20	22 25 28 32	34 39 43 47
<b>12:</b> Lenze G500-B45 0,55 kW	26 28 32 36	42 47	
<b>13:</b> Lenze G500-B110 0,55 kW	17 20 22 25	28 31 39 43	47
<b>14:</b> Lenze Smart Motor G500-B45 max 0,47 kW	Adjustable speed 6-31 m/min		
<b>15:</b> Lenze Smart Motor G500-B45 max 0,47 kW	Adjustable speed 10-50 m/min		
	<b>W</b> Without motor/gear. Assembly position and shaft prepared for selected place- ment.		

Series 830

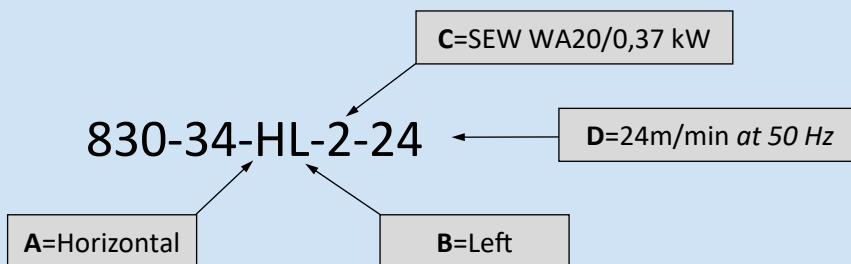
**830-34**

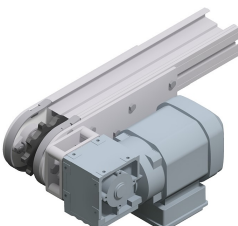
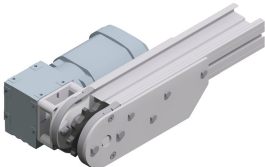
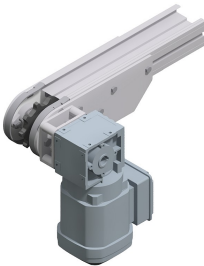
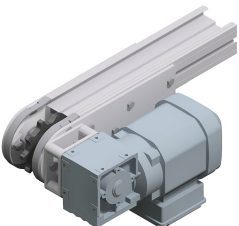
Drive unit for side grip conveyor S830.  
Configuration of default drive

**830-34-AB-C-D.**



Order example



<u>A:</u> <u>Assembly position</u>	<u>B:</u> <u>Placement</u>	<u>C:</u> <u>Motor/gear</u> <u>Power</u>	<u>D:</u> <u>Speed m/min</u> <u>at 50 Hz</u>		
<b>H:</b> Horizontal 	<b>R:</b> Right 	<b>1:</b> SEW WA20 0,25 kW	8 10 12 15	18 20 25 29	34 47
		<b>2:</b> SEW WA20 0,37 kW	18 20 25 30	34 48	
<b>V:</b> Vertical 	<b>L:</b> Left 	<b>3:</b> SEW WA30 0,37 kW	6 8 10 12	15 18 20 25	30 34 48
		<b>4:</b> SEW WA30 0,55 kW	15 18 20 30	34 48	
			<b>W</b> Without motor/gear. Assembly position and shaft prepared for selected place- ment. More options →		

Series 830

Cont. 830-34

<b>C:</b> <b>Motor/gear</b> <b>power</b>	<b>D:</b> <b>Speed m/min</b> <b>at 50 Hz</b>		
<b>5:</b> SEW SA37 0,37 kW	8 10 13 16	19 25 27 31	36
<b>6:</b> Lenze G500-B45 0,18 kW	13 15 17 19	21 25 28 31	36 41 45
<b>7:</b> Lenze G500-B110 0,18 kW	8 10 12 15	19 21 25 33	38 41
<b>8:</b> Lenze G500-B45 0,25 kW	19 22 25 28	32 36 41 46	
<b>9:</b> Lenze G500-B110 0,25 kW	11 12 15 19	21 25 27 31	38 42 46
<b>10:</b> Lenze G500-B45 0,37 kW	28 32 37 42	47	

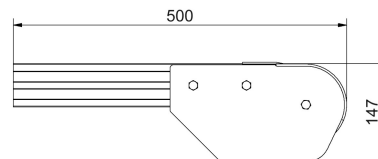
<b>C:</b> <b>Motor/gear</b> <b>power</b>	<b>D:</b> <b>Speed m/min</b> <b>at 50 Hz</b>		
<b>11:</b> Lenze G500-B110 0,37 kW	11 13 16 20	22 25 28 32	34 39 43 47
<b>12:</b> Lenze G500-B45 0,55 kW	26 28 32 36	42 47	
<b>13:</b> Lenze G500-B110 0,55 kW	17 20 22 25	28 31 39 43	47
<b>14:</b> Lenze Smart Motor G500-B45 max 0,47 kW	Adjustable speed 6-31 m/min		
<b>15:</b> Lenze Smart Motor G500-B45 max 0,47 kW	Adjustable speed 10-50 m/min		
	<b>W</b> Without motor/gear. Assembly position and shaft prepared for selected place- ment.		

Series 830

### Idler unit

Standard idler unit for S830  
Weight 2400 g

Part no. 830-4005



### Bracket for roller transfer and bracket including roller transfer

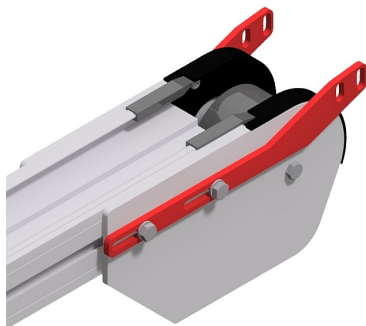
The following configuration is listed on order number 830-4005- **with an additional letter**.

**A** = 900-7111

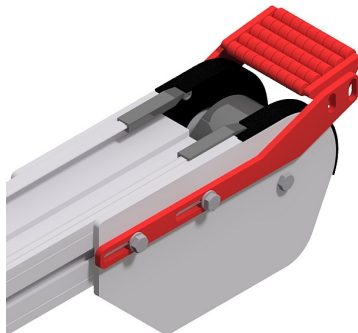
**AR** = 900-7111 and 900-7010

Order example: 830-4005-A

A



AR





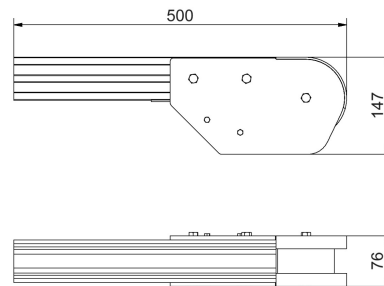
Series 830

**Idler unit**

Used as front idler unit for conveyor where drive unit 830-32 is included.  
Configuration of idler unit

**Part no. 830-4055-A**

If needed, roller transfers and brackets can be found on page 156.



**Order example**

**830-4055-1**

A=830-2000

<b>A:</b>			
<b><u>Transportörskedja</u></b>			
<b>1:</b> 620-2000 620-2010	<b>2:</b> 830-2181	<b>3:</b> 830-2055 830-2079 830-2110	<b>4:</b> 830-2050

### Series 830

Cont. 830-4055-A

#### Bracket for roller transfer and connecting strip between conveyors

The following configuration is listed on order number 830-4055-A- **with one additional letter**.

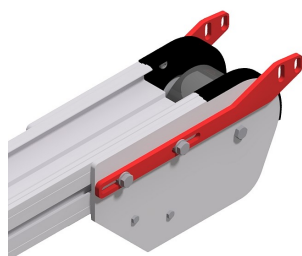
**A** = 900-7112.

**B** = 900-7120.

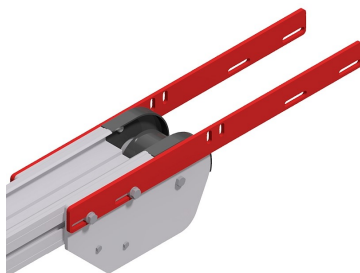
**C** = 900-7130, 7 mm level difference.

Order example: 830-4055-1-A

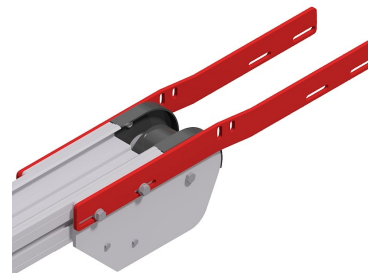
**A**



**B**



**C**



#### Bracket for roller transfer and connecting strip including roller transfer

The following configuration is listed on the existing order number 830-4055-1- **with two extra letters**.

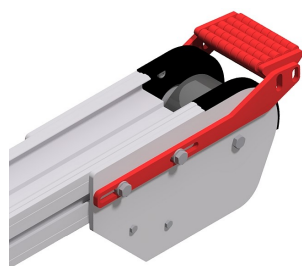
**AR** = 900-7112 and 900-7010

**BR** = 900-7120 and 900-7010

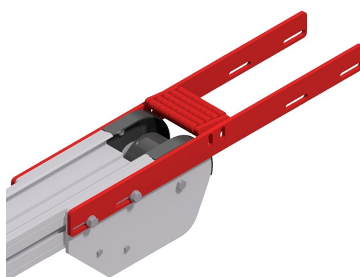
**CR** = 900-7130 and 900-7010, 7 mm level difference.

Order example: 830-4055-1-AR

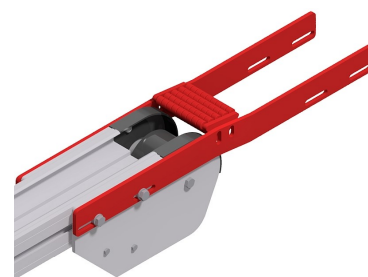
**AR**



**BR**



**CR**

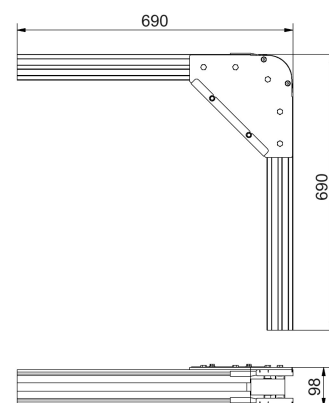
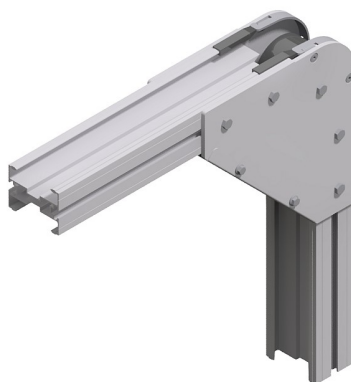


Series 830

### Idler unit

Idler unit 90° S830

Part no. 15309



### Bracket for roller transfer and bracket including roller transfer

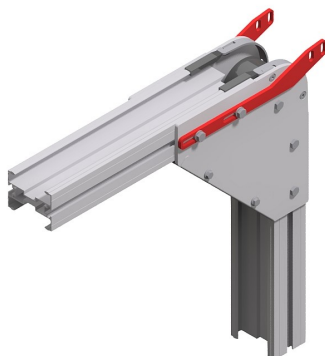
The following configuration is listed on order number 15309- **with an additional letter**.

**A** = 900-7111

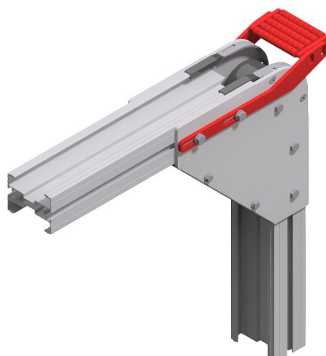
**AR** = 900-7111 and 900-7010

Order example: 15309-A

**A**



**AR**



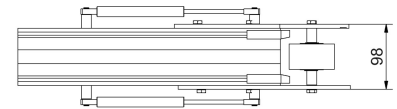
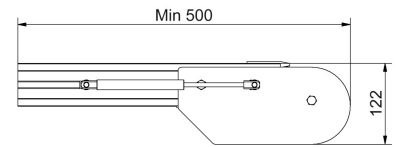
Series 830

### Idler unit

Idler unit for side grip conveyor.  
Used with 830-34.

Manufactured in version right and left .  
R = Right  
L = Left

**Part no. 830-4010R**  
**Part no. 830-4010L**



Series 830

**Wheel bend**

Standard wheel bend S830 with R150 mm  
Anodized aluminum profile and wheel in plastic

Configuration of wheel bend  
**Part no. 830-5025-A**

A= Angle on bend

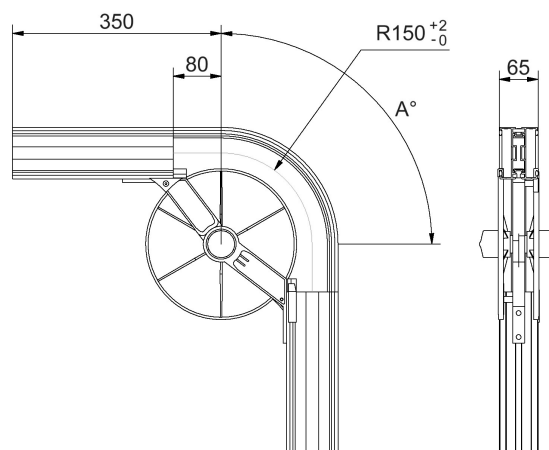
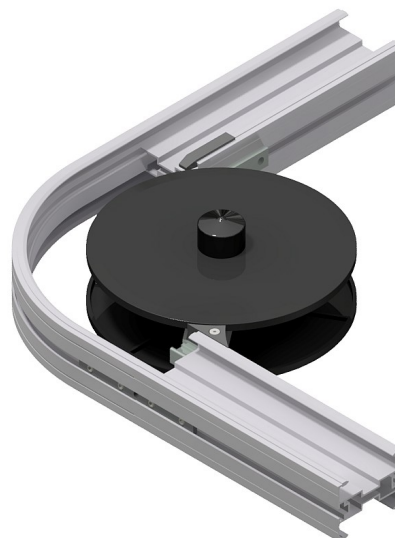
Standard angles for R150
A = 45°
A = 90°
A = 180°

Other angles are manufactured on request  
Connecting strip 100-7010 is ordered separately

Order example

**830-5025-45**

A= 45°



Series 830

**Wheel bend**

Standard wheel bend S830 with R200 mm  
Anodized aluminum profile and wheel in plastic

Configuration of wheel bend  
**Part no. 830-5055-A**

A= Angle on bend

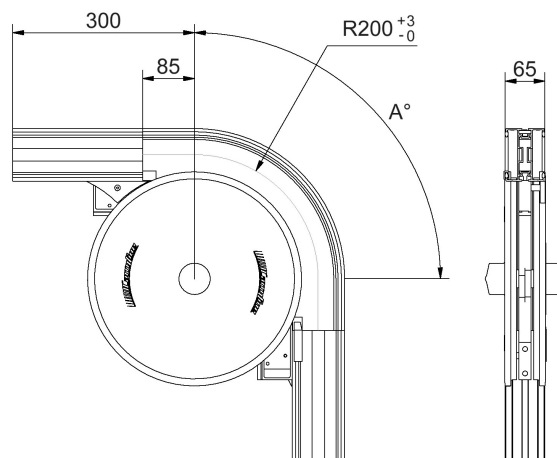
Standard angles for R200
A = 45°
A = 90°
A = 180°

Other angles are manufactured on request  
Connecting strip 100-7010 is ordered separately

Order example

**830-5055-45**

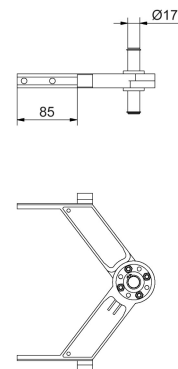
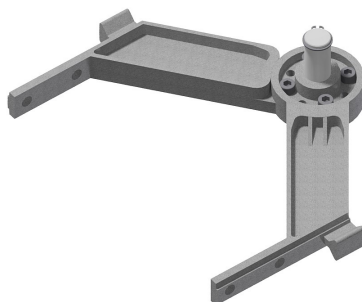
A= 45°



Series 830

### Adjustable support assembly

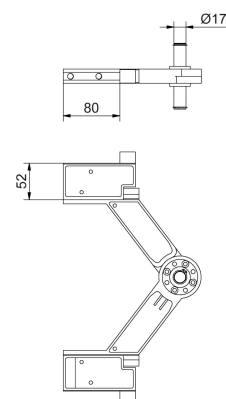
Support assembly for wheel bend R150  
S830  
Complete with shaft  
Zinc die-cast and stainless steel  
Weight 690 g



Part no. 830-5026

### Adjustable support assembly

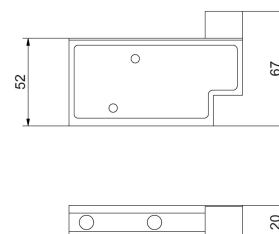
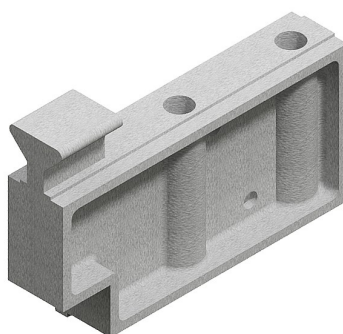
Support assembly for wheel bend R200  
S830  
Complete with shaft  
Zinc die-cast and stainless steel  
Weight 1380 g



Part no. 830-5056

### Spacer

For adjustable support assembly  
Zinc die-cast  
Weight 240 g



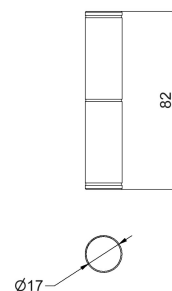
Part no. 830-5057

Series 830

**Shaft**

For wheel bend R150  
 Stainless steel  
 Weight 145 g

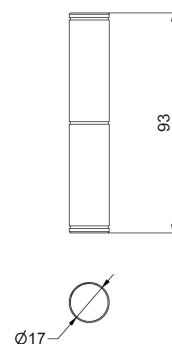
**Part no. 830-5028**



**Shaft**

For wheel bend R200  
 Stainless steel  
 Weight 165 g

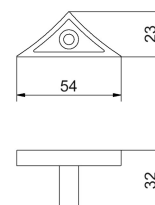
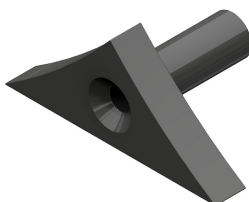
**Part no. 830-5058**



**Pinch guard**

For wheel bend R150  
 Black polyamide  
 Weight 6 g

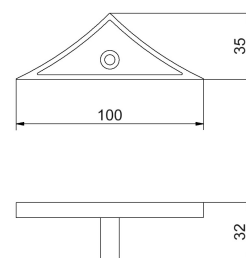
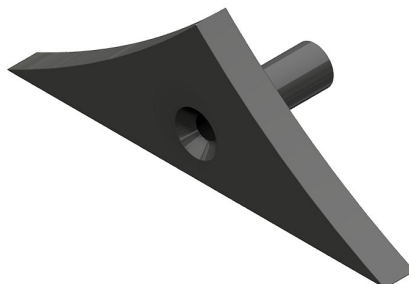
**Part no. 830-5029**



**Pinch guard**

For wheel bend R200  
 Black polyamide  
 Weight 11 g

**Part no. 830-5059**

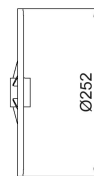
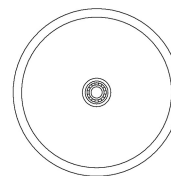




Series 830

**Disc**

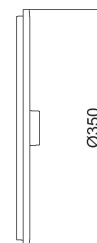
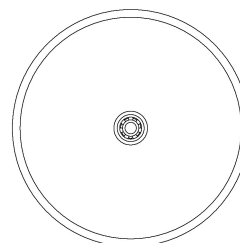
For wheel bend R150  
 Complete with bearing 6003-2Z  
 Black nylon  
 Weight 335 g



**Part no. 830-5027**

**Disc**

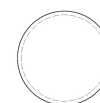
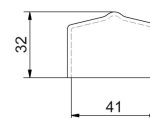
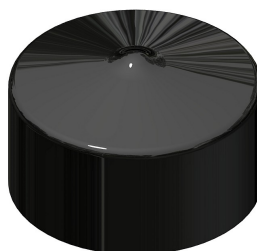
For wheel bend R200  
 Complete with bearing 6203-2Z  
 Black nylon  
 Weight 825 g



**Part no. 830-5060**

**Plastic cover**

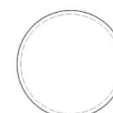
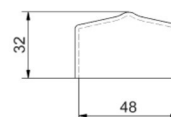
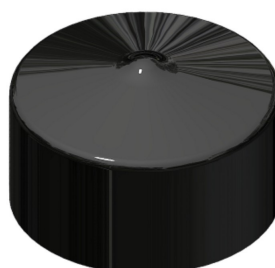
For wheel bend Ø252  
 Black PVC  
 Weight 11 g



**Part no.830-5031**

**Plastic cover**

For wheel bend Ø350  
 Black PVC  
 Weight 15 g



**Part no.830-5062**

Series 830

**Plain bend**

Standard plain bend S140  
 R600 consists of an aluminum profile  
 Other radius of two aluminum profiles and plastic clamp.

Plain bend configuration

**Part no. 830-5375-A-B**

A= Bend radius

B= Bend angle

The following radius and angles are standard

A = Radius	B = Angle
200 mm	15°, 30°, 45°, 90°, 180°
300 mm	15°, 30°, 45°, 90°, 180°
400 mm	15°, 30°, 45°, 90°, 180°
500 mm	15°, 30°, 45°, 90°, 180°
600 mm	15°, 30°, 45°, 90°, 180°
900 mm	15°, 30°, 45°, 90°, 180°

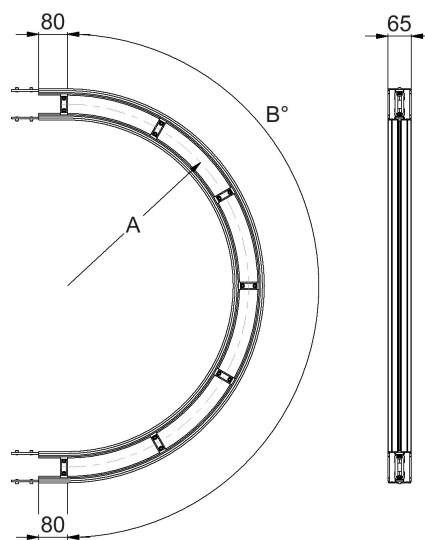
Other radius and angles are manufactured on request

Order example

**830-5375-600-90**

A= 600 mm

B= 90°



Series 830

**Vertical bend**

Standard vertical bend R400 consists of two aluminum profiles and plastic clamp

Vertical bend configuration  
**Part no. 830-5645-A**

A= Bend angle

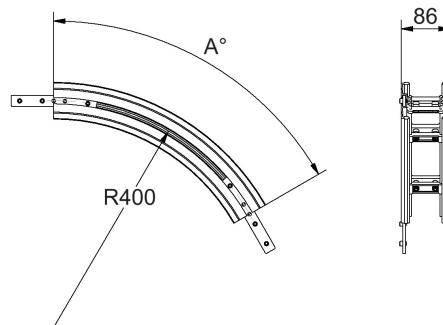
Standard angles to R400
A = 10°
A = 15°
A = 20°
A = 30°
A = 45°
A = 60°
A = 90°

Other radius and angles are manufactured on request  
 Minimum 10°

Order example

**830-5645-45**

**A= 45°**



Series 830

**Vertical bend**

Standard vertical bend R860 consists of two aluminum profiles and plastic clamp

Vertical bend configuration  
**Part no. 830-5695-A**

A= Bend angle

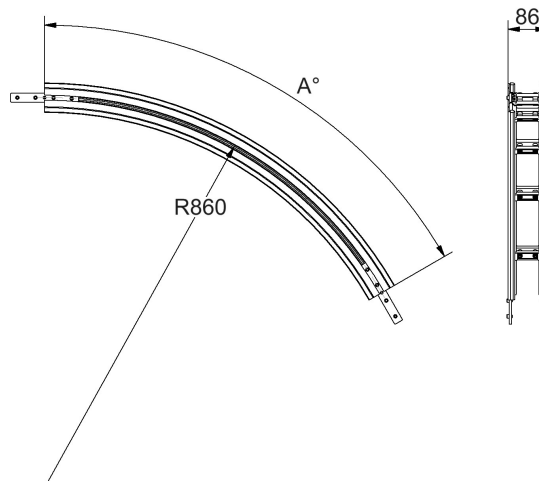
Standard angles to R860
A = 5°
A = 10°
A = 15°
A = 20°
A = 30°
A = 45°
A = 60°
A = 90°

Other radius and angles are manufactured on request  
 Minimum 5°


Order example

**830-5695-45**

A= 45°





 STEP-files S900

# S900

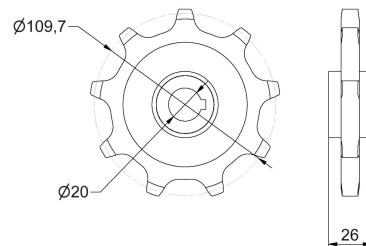


Series 900

**Sprocket**

Sprocket for S830, S140 and S220  
 Black reinforced nylon and zinc plated steel  
 Weight 131 g

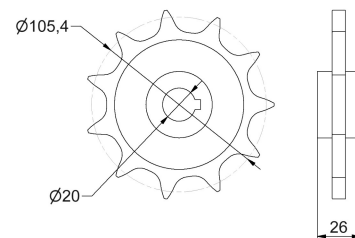
**Part no. 900-1010**



**Sprocket**

Sprocket for S620  
 Black reinforced nylon and zinc plated steel  
 Weight 118 g

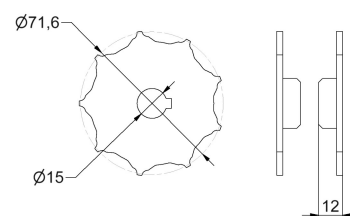
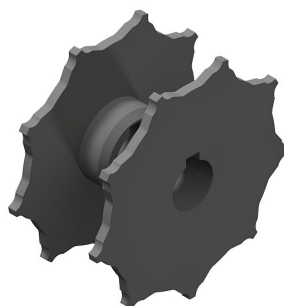
**Part no. 900-1020**



**Sprocket**

Sprocket for S380  
 Black acetal  
 Weight 35 g

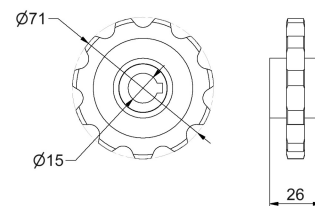
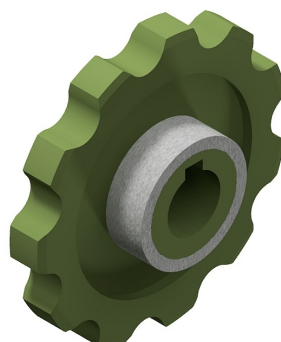
**Part no. 900-1025**



**Sprocket**

Sprocket for chain 620-2200  
 Green amide plastic and zinc plated steel  
 Weight 70 g

**Part no. 900-1026**

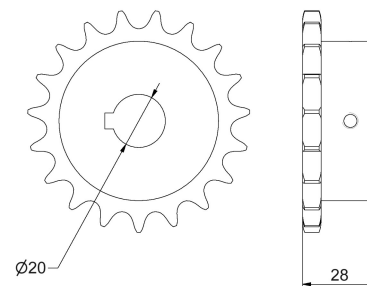
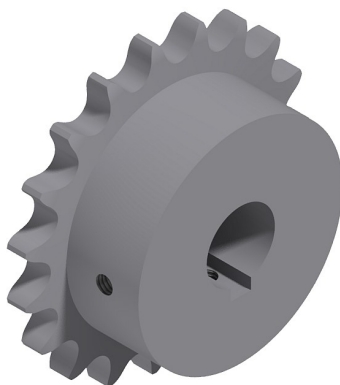


Series 900

**Sprocket**

Sprocket for 1/2" chain and shaft  $\varnothing 20$  mm  
 19 teeth  
 Untreated steel  
 Weight 630 g

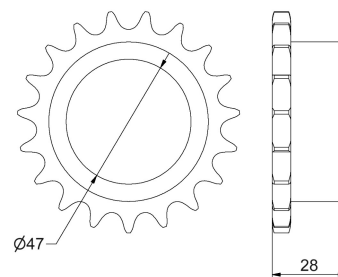
**Part no. 16656**



**Sprocket**

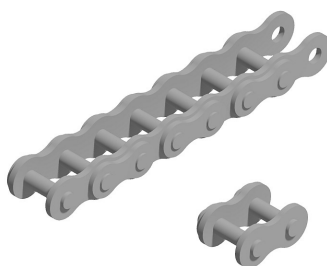
Sprocket for 1/2" chain and clamping joint  
 19 teeth  
 Untreated steel  
 Weight 330 g

**Part no. 16657**



**Chain**

Chain 1/2" for suspended drive, intermediate, and catenary drive unit.  
 Delivered in number of links/semi-link including chain lock.  
 Untreated steel.



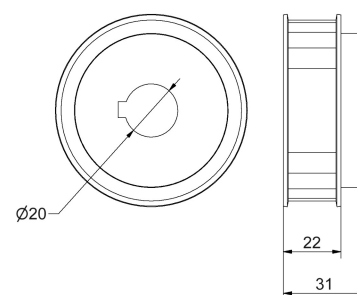
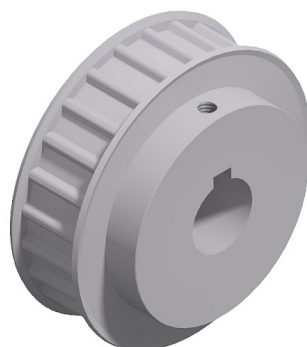
Part no.	Nr of links
<b>16840</b>	19 links including chain lock
<b>16843</b>	19 links + semi-link including chain lock
<b>17048</b>	34 links including chain lock

## Series 900

**Timing pulley**

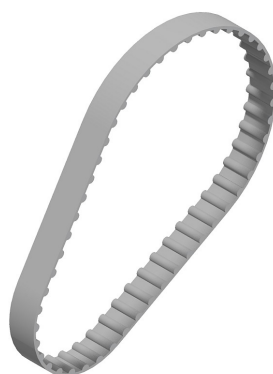
Timing pulley AT10 with flanges  
24 teeth  
Aluminum  
Weight 240 g

**Part no. 17047**

**Timing belt**

Timing belt AT10 with length 890 mm  
and width 16 mm.  
Polyurethane  
Weight 85 g

**Part no. 17046**



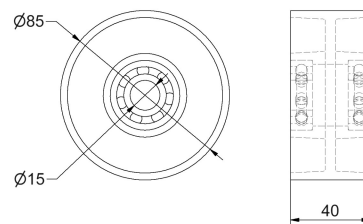
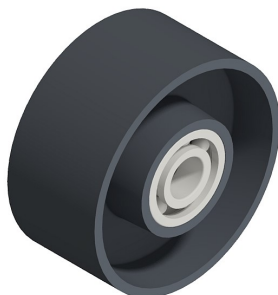


Series 900

**Idler wheel**

Idler wheel with ball bearings 6202-2Z  
for S620, S830 and S140  
Black nylon  
Weight 175 g

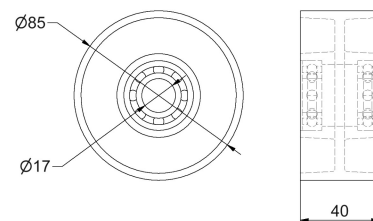
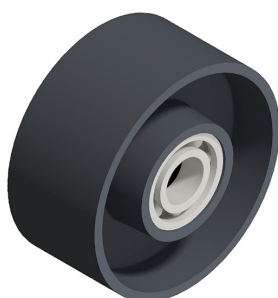
**Part no. 900-1035**



**Idler wheel**

Idler wheel with ball bearings 6003-2Z  
for S220  
Black nylon  
Weight 163 g

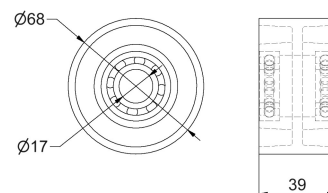
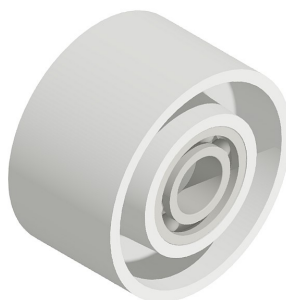
**Part no. 900-1037**



**Idler wheel**

Idler wheel with ball bearings 6003-2Z  
for S220  
White acetal  
Weight 160 g

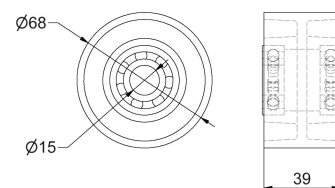
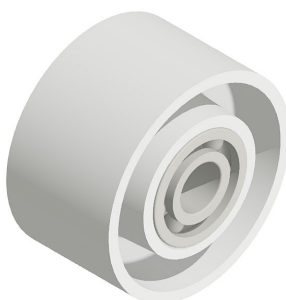
**Part no. 900-1036**



**Idler wheel**

Idler wheel with ball bearings 6202-2Z  
for idler unit 830-4010R/L  
White acetal  
Weight 160 g

**Part no. 900-1030**

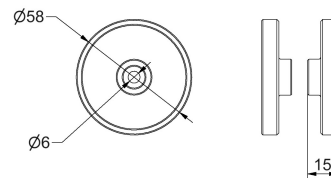


Series 900

**Idler wheel**

Idler wheel for S380  
 Black acetal  
 Weight 38 g

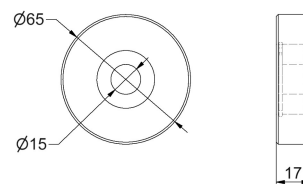
**Part no. 900-1038**



**Idler wheel**

Idler wheel with ball bearings 6202-2Z  
 for chain 620-2200  
 Green amide plastic  
 Weight 90 g

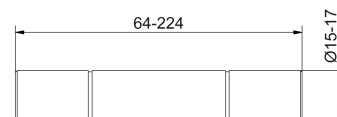
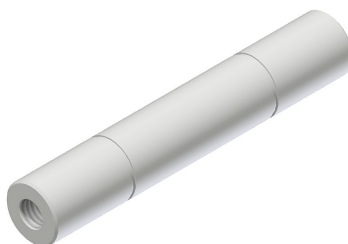
**Part no. 900-1032**



**Shaft for idler**

Shaft for idler units according to table  
 Stainless steel

Part no.	Idler unit
<b>13800</b>	620-4005 620-4055
<b>13382</b>	830-4005 830-4055
<b>13801</b>	140-4005 140-4055
<b>13802</b>	220-4005

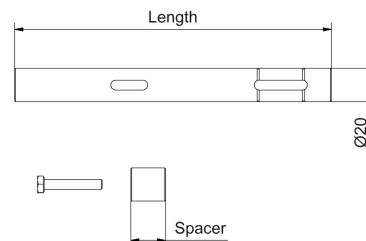
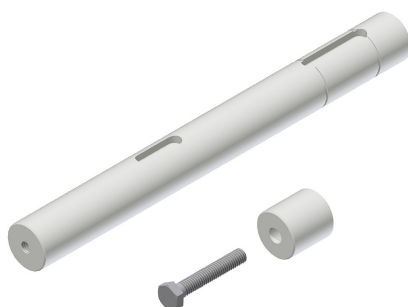


Series 900

**Shaft for drive unit**

Shaft for SEW WA 20 and Lenze B45 for drive units according to table.  
Stainless steel

SEW WA30, SA37 and Lenze B110 uses drive shaft along with correct spacer according to table.

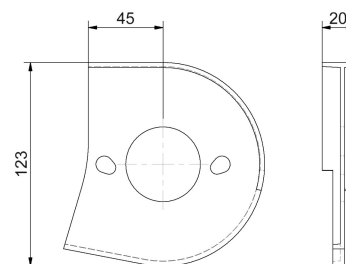


Standard drive shafts for SEW WA20 and Lenze B45			Part. No for spacers for other gears including M6 x 35	
Drive shaft Part.no	Fits drive unit	Length of drive shaft	Spacer for WA30 and B110	Spacer for SA37
<b>13146</b>	620-30	191 mm	<b>15261</b>	<b>15262</b>
<b>13262</b>	620-31/830-31 140-31/220-31	134 mm	<b>15261</b>	<b>15262</b>
<b>13271</b>	620-31	128 mm		
<b>13176</b>	620-32	238 mm	<b>15261</b>	<b>15262</b>
<b>13160</b>	620-32/620-33	118 mm		
<b>13185</b>	620-33	239 mm	<b>15261</b>	<b>15262</b>
<b>13144</b>	830-30/830-34	213 mm	<b>15261</b>	<b>15262</b>
<b>13270</b>	830-31	143 mm		
<b>13177</b>	830-32	260 mm	<b>15261</b>	<b>15262</b>
<b>13161</b>	830-32/830-33 140-32/140-33	138 mm		
<b>13186</b>	830-33/140-33	261 mm	<b>15261</b>	<b>15262</b>
<b>13143</b>	140-30	273 mm	<b>15261</b>	<b>15262</b>
<b>13269</b>	140-31	203 mm		
<b>13178</b>	140-32	290 mm	<b>15261</b>	<b>15262</b>
<b>13142</b>	220-30	351 mm	<b>15261</b>	<b>15262</b>
<b>13268</b>	220-31	281 mm		
<b>16852</b>	220-32	402 mm	<b>15261</b>	<b>15262</b>
<b>16854</b>	220-32	275 mm		

Series 900

**Chain guide**

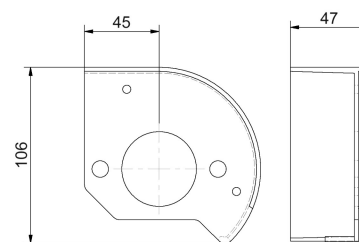
Chain guide for drive unit S620 and S830  
 Black nylon  
 Weight 34 g  
 Manufactured in version right and left.  
 R = Right  
 L = Left



**Part no. 900-2120R**  
**Part no. 900-2120L**

**Chain guide**

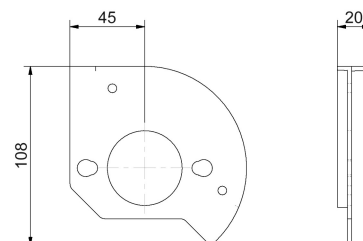
Chain guide for drive unit S140 and S220  
 Black nylon  
 Weight 45 g  
 Manufactured in version right and left.  
 R = Right  
 L = Left



**Part no. 900-2100R**  
**Part no. 900-2100L**

**Chain guide**

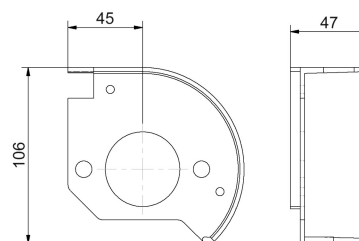
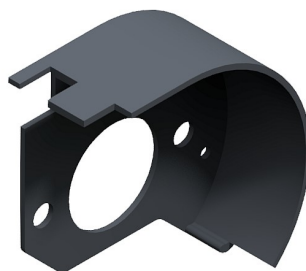
Chain guide for idler unit S620 and S830  
 Black nylon  
 Weight 27 g  
 Manufactured in version right and left.  
 R = Right  
 L = Left



**Part no. 900-2121R**  
**Part no. 900-2121L**

**Chain guide**

Chain guide for idler unit S140  
 Black nylon  
 Weight 44 g  
 Manufactured in version right and left.  
 R = Right  
 L = Left



**Part no. 900-2110R**  
**Part no. 900-2110L**

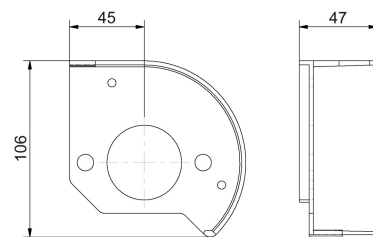
Series 900

**Chain guide**

Chain guide for idler unit S220  
 Black nylon  
 Weight 45 g

Manufactured in version right and left.  
 R = Right  
 L = Left

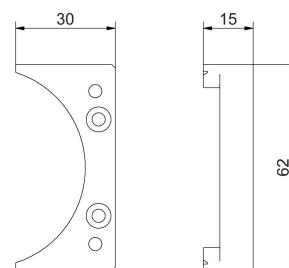
**Part no. 900-2115R**  
**Part no. 900-2115L**



**Chain guide**

Chain guide for idler unit S380  
 Black acetal  
 Weight 15 g

**Part no. 900-2125**

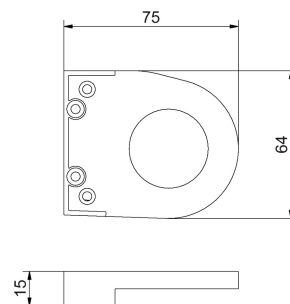
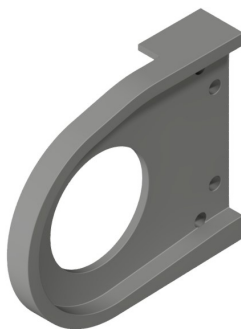


**Chain guide**

Chain guide for idler unit S380  
 Black acetal  
 Weigh 24 g

Manufactured in version right and left.  
 R = Right  
 L = Left

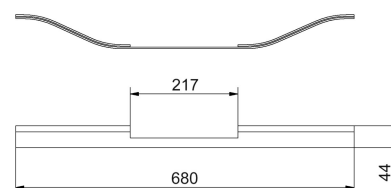
**Part no. 900-2127R**  
**Part no. 900-2127L**



**Slide rail**

Slide rail for intermediate drive unit  
 S140  
 White nylon  
 Weight 130 g

**Part no. 900-2135**

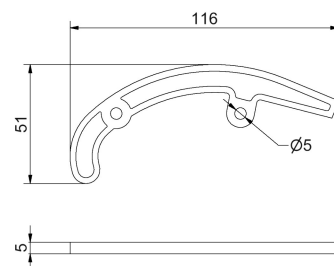


Series 900

**Return guide**

Return guide for chain  
Black nylon  
Weight 7 g

**Part no. 900-2140**



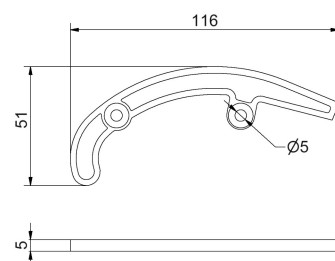
**Return guide**

Return guide for chain, with  
countersunk holes  
Black nylon  
Weight 7 g

Manufactured in version right and left.  
R = Right  
L = Left

**Part no. 900-2150R**

**Part no. 900-2150L**



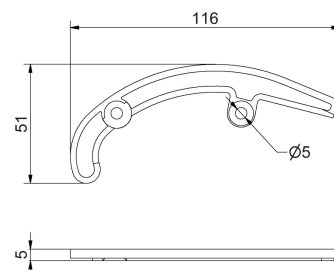
**Return guide**

Return guide for chain, with  
countersunk holes and milled edges.  
Black nylon  
Weight 7 g

Manufactured in version right and left.  
R = Right  
L = Left

**Part no. 900-2160R**

**Part no. 900-2160L**

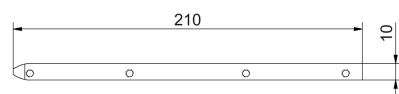
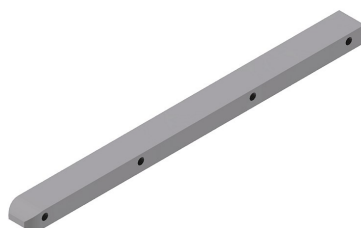


Series 900

**Slide bar**

Slide bar for intermediate drive unit  
S620, S830 and S140  
Zinc plated steel  
Weight 260 g

**Part no. 900-2136**

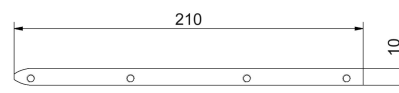
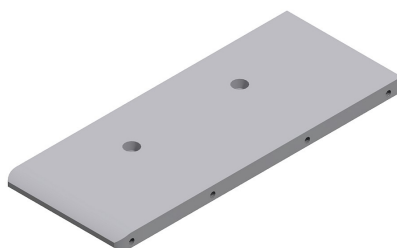


**Slide bar**

Slide bar for intermediate drive unit  
S220  
Zinc plated steel  
Weight 260 g

Manufactured in version right and left.  
R = Right  
L = Left

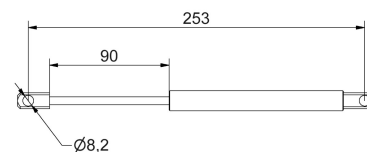
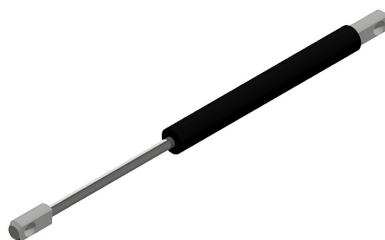
**Part no. 15305R**  
**Part no. 15305L**



**Gas spring**

Gas spring including eye end fitting  
Weight 95 g

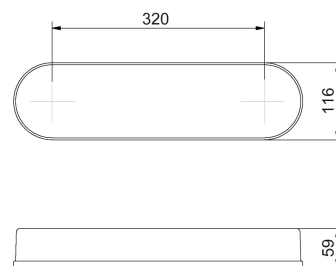
Part no.	Spring force
<b>900-2231</b>	40 N
<b>900-2232</b>	80 N
<b>900-2230</b>	120 N
<b>900-2233</b>	200 N
<b>900-2234</b>	280 N
<b>900-2235</b>	350 N



Series 900

**Chain guard**

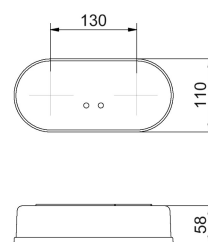
Chain guard for chain transmission  
 Black thermoplastic  
 Weight 245 g



**Part no. 900-2260**

**Chain guard**

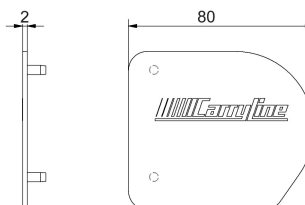
Chain guard for chain transmission  
 Black thermoplastic  
 Weight 120 g



**Part no. 900-2270**

**Cover**

Cover for drive unit and idler unit for  
 S380  
 Black reinforced nylon  
 Weight 14 g



Manufactured in version right and left.  
 R = Right  
 L = Left

**Part no. 900-2280R**

**Part no. 900-2280L**

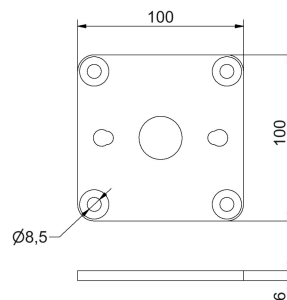
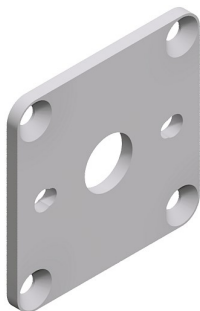


Series 900

**Mounting plate**

Mounting plate standard.  
Anodized aluminum  
Weight 142 g

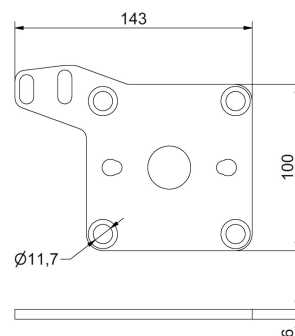
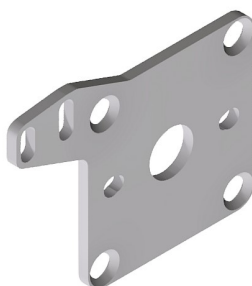
**Part no. 900-3077**



**Mounting plate**

Mounting plate with bracket for roller transfer  
Anodized aluminum  
Weight 157 g

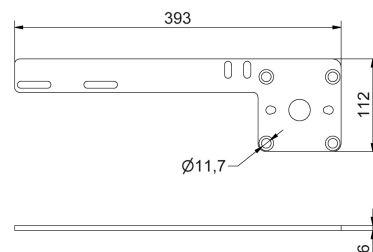
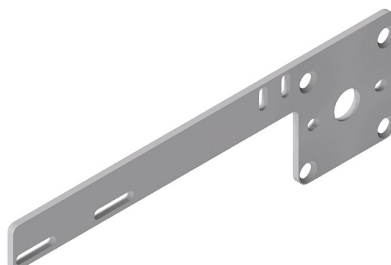
**Part no. 900-3117**



**Mounting plate**

Mounting plate with connecting strip and bracket for roller transfer  
Anodized aluminum  
Weight 335 g

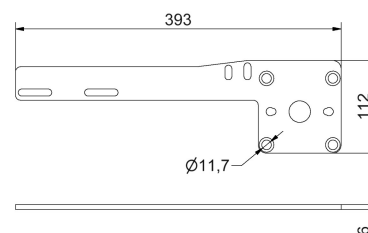
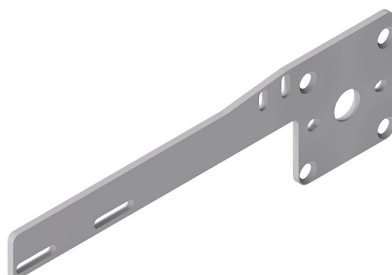
**Part no. 900-3119**



**Mounting plate**

Mounting plate with connecting strip, bracket for roller transfer and 7mm level difference  
Anodized aluminum  
Weight 340 g

**Part no. 900-3118**

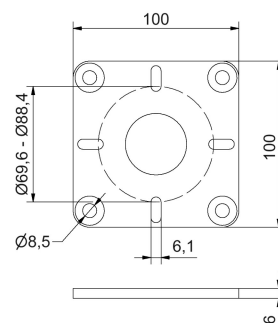
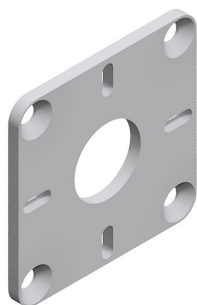


Series 900

**Motor plate**

Motor plate for SEW WA20, WA30,  
SA37 and Lenze B45  
Anodized aluminum  
Weight 130 g

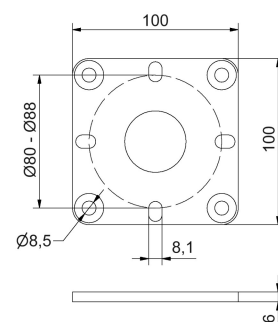
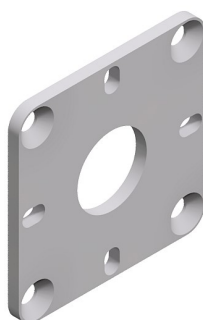
**Part no. 900-3075**



**Motor plate**

Motor plate for Lenze B110  
Anodized aluminum  
Weight 130 g

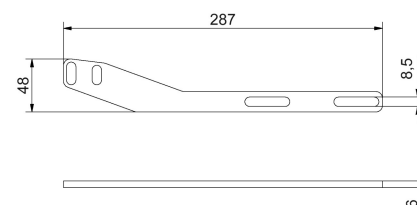
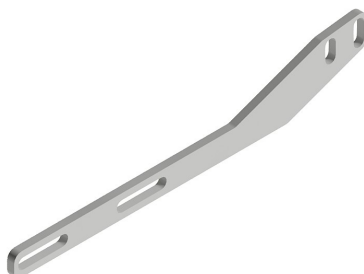
**Part no. 900-3076**



**Bracket**

Bracket for idler unit with roller transfer  
Anodized aluminum  
Weight 90 g

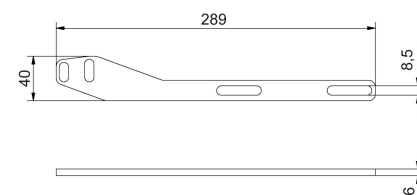
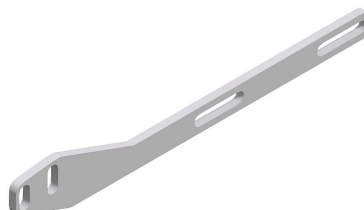
**Part no. 900-7111**



**Bracket**

Bracket for drive unit with roller transfer  
Anodized aluminum  
Weight 90 g

**Part no. 900-7112**

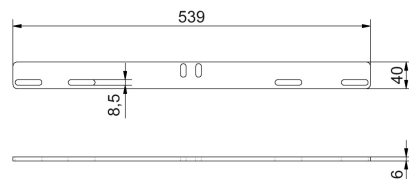
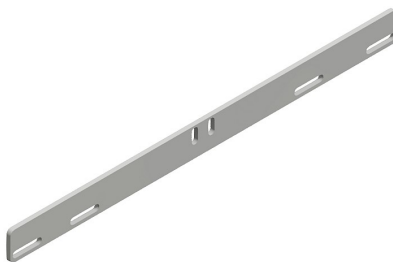


Series 900

### Connecting strip

Connecting strip between conveyors  
Anodized aluminum  
Weight 325 g

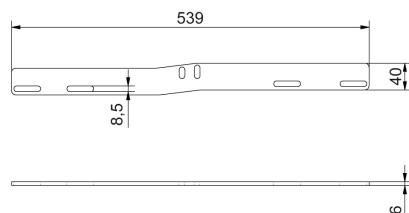
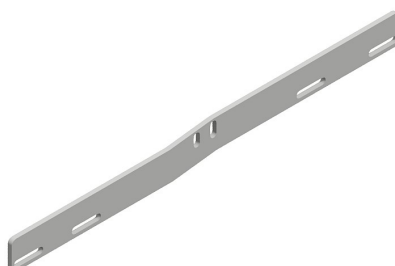
Part no. 900-7120



### Connecting strip

Connecting strip between conveyors  
with 7mm level difference  
Anodized aluminum  
Weight 330 g

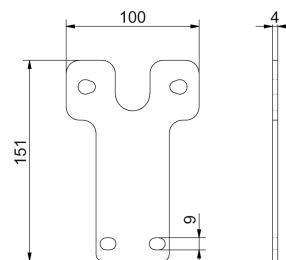
Part no. 900-7130



### Conveyor bracket

Conveyor bracket for drive unit  
Zinc plated steel  
Weight 295 g

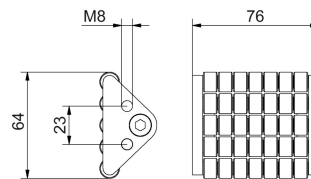
Part no. 900-3200



Series 900

**Roller transfer**

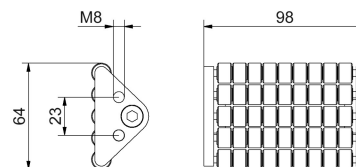
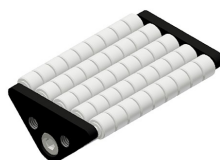
Roller transfer for S620  
 Reinforced nylon, acetal, anodized aluminum, stainless and zinc plated steel  
 Weight 157 g



**Art.nr 900-7000**

**Roller transfer**

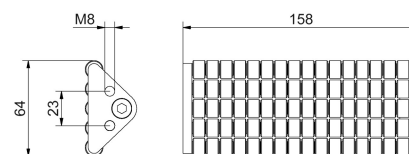
Roller transfer for S830  
 Reinforced nylon, acetal, anodized aluminum, stainless and zinc plated steel  
 Weight 195 g



**Part no. 900-7010**

**Roller transfer**

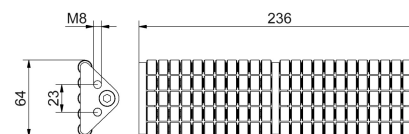
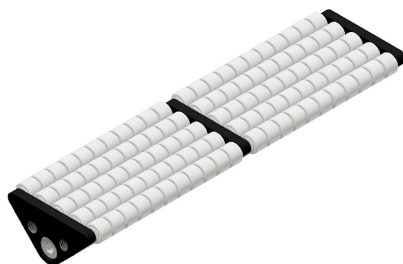
Roller transfer for S140  
 Reinforced nylon, acetal, anodized aluminum, stainless and zinc plated steel  
 Weight 305 g



**Part no. 900-7020**

**Roller transfer**

Roller transfer for S220  
 Reinforced nylon, acetal, anodized aluminum, stainless and zinc plated steel  
 Weight 443 g

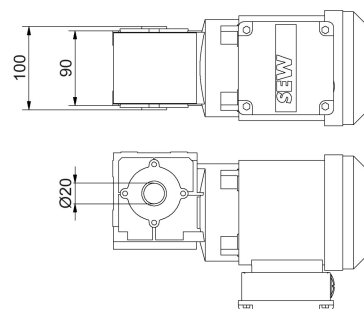
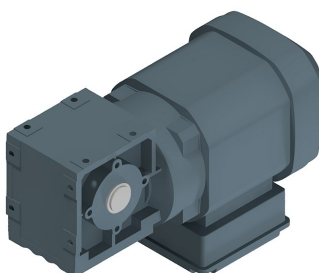


**Part no. 900-7030**

Series 900

**SEW WA20 with motor**

SEW WA20 with motor.  
 Enter output rpm according to table  
 when ordering.  
 Other add-on on request  
 Weight 7000-8800 g



**Order example**

900-4025/53

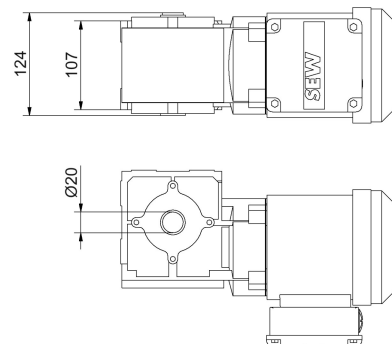
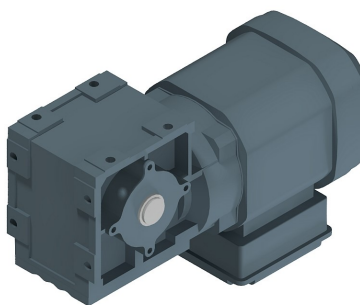
Rpm

Part no. for WA20	Power	Rpm	Speed at 50 Hz m/min	Ratio
900-4025	0,25 kW	23	8	60
900-4025	0,25 kW	29	10	48
900-4025	0,25 kW	36	12	39
900-4025	0,25 kW	43	15	32,5
900-4025	0,25 kW	51	18	27,5
900-4025	0,25 kW	57	20	24,5
900-4025	0,25 kW	72	25	19,5
900-4025	0,25 kW	85	29	16,5
900-4025	0,25 kW	98	34	14,33
900-4025	0,25 kW	137	47	10,25
900-4025	0,25 kW	171	59	8,2
Part no. for WA20	Power	RPM	Speed at 50 Hz m/min	Ratio
900-4030	0,37 kW	51	18	27,5
900-4030	0,37 kW	58	20	24,5
900-4030	0,37 kW	73	25	19,5
900-4030	0,37 kW	86	30	16,5
900-4030	0,37 kW	99	34	14,33
900-4030	0,37 kW	138	48	10,25
900-4030	0,37 kW	173	59	8,2

Series 900

**SEW WA30 with motor**

SEW WA30 with motor.  
 Enter output rpm according to table  
 when ordering.  
 Other add-on on request  
 Weight 11000-13000 g



**Order example**

**Rpm**

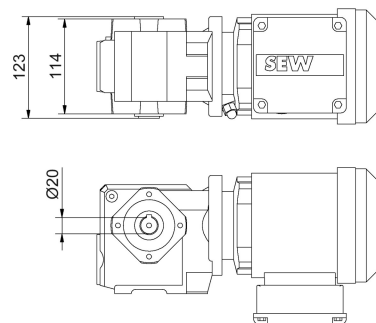
**900-4040/56**

Part no. for WA30	Power	Rpm	Speed at 50 Hz m/min	Ratio
900-4040	0,37 kW	19	6	75
900-4040	0,37 kW	24	8	60
900-4040	0,37 kW	29	10	48
900-4040	0,37 kW	36	12	39
900-4040	0,37 kW	44	15	32,5
900-4040	0,37 kW	51	18	27,5
900-4040	0,37 kW	58	20	24,5
900-4040	0,37 kW	73	25	19,5
900-4040	0,37 kW	86	30	16,33
900-4040	0,37 kW	99	34	14,33
900-4040	0,37 kW	138	48	10,25
900-4040	0,37 kW	173	59	8,2
Part no. for WA30	Power	Rpm	Speed at 50 Hz m/min	Ratio
900-4045	0,55 kW	44	15	32,5
900-4045	0,55 kW	52	18	27,5
900-4045	0,55 kW	59	20	24,5
900-4045	0,55 kW	87	30	16,33
900-4045	0,55 kW	100	34	14,33
900-4045	0,55 kW	140	48	10,25
900-4045	0,55 kW	175	60	8,2

Series 900

**SEW SA37 with motor**

SEW SA37 with motor.  
 Enter output rpm according to table  
 when ordering.  
 Other add-on on request  
 Weight 13000 g



**Order example**

900-4050/54

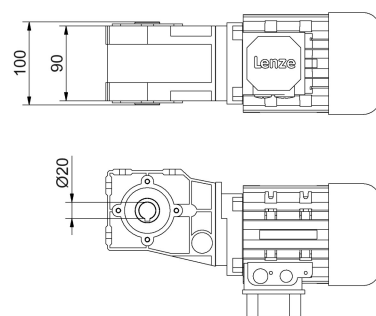
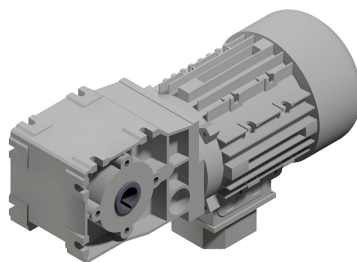
Rpm

Part no. for SA37	Power	Rpm	Speed at 50 Hz m/min	Ratio
900-4050	0,37 kW	22	8	63,33
900-4050	0,37 kW	28	10	51,3
900-4050	0,37 kW	38	13	37,66
900-4050	0,37 kW	46	16	30,68
900-4050	0,37 kW	56	19	25,38
900-4050	0,37 kW	71	25	19,89
900-4050	0,37 kW	78	27	18,24
900-4050	0,37 kW	91	31	15,53
900-4050	0,37 kW	106	36	13,39

Series 900

**Lenze B45 with motor**

Lenze G500-B45 with motor.  
 Enter output rpm according to table  
 when ordering.  
 Other add-on on request  
 Weight 7000-9300 g



**Order example**

**Rpm**

**900-4210/55**

Part no. for G500-B45	Power	Rpm	Speed at 50 Hz m/min	Ratio
900-4210	0,18 kW	36	13	37,48
900-4210	0,18 kW	42	15	32,59
900-4210	0,18 kW	47	17	28,8
900-4210	0,18 kW	55	19	25,05
900-4210	0,18 kW	61	21	22,27
900-4210	0,18 kW	71	25	19,36
900-4210	0,18 kW	79	28	17,37
900-4210	0,18 kW	90	31	15,11
900-4210	0,18 kW	102	36	13,38
900-4210	0,18 kW	117	41	11,64
900-4210	0,18 kW	130	45	10,46
Part no. for G500-B45	Power	Rpm	Speed at 50 Hz m/min	Ratio
900-4211	0,25 kW	55	19	25,05
900-4211	0,25 kW	62	22	22,27
900-4211	0,25 kW	71	25	19,36
900-4211	0,25 kW	79	28	17,37
900-4211	0,25 kW	91	32	15,11
900-4211	0,25 kW	102	36	13,38
900-4211	0,25 kW	118	41	11,64
900-4211	0,25 kW	131	46	10,46

More options →



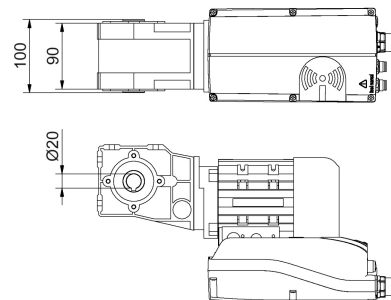
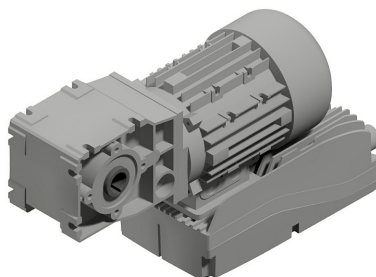
Series 900

Cont. Lenze G500-B45 with motor

Part no. for G500-B45	Power	Rpm	Speed at 50 Hz m/min	Ratio
<b>900-4212</b>	0,37 kW	<b>81</b>	28	17,37
<b>900-4212</b>	0,37 kW	<b>93</b>	32	15,11
<b>900-4212</b>	0,37 kW	<b>105</b>	37	13,38
<b>900-4212</b>	0,37 kW	<b>121</b>	42	11,64
<b>900-4212</b>	0,37 kW	<b>135</b>	47	10,46
<b>900-4212</b>	0,37 kW	<b>155</b>	54	9,1
Part no. for G500-B45	Power	Rpm	Speed at 50 Hz m/min	Ratio
<b>900-4213</b>	0,55 kW	<b>73</b>	26	19,36
<b>900-4213</b>	0,55 kW	<b>81</b>	28	17,37
<b>900-4213</b>	0,55 kW	<b>93</b>	32	15,11
<b>900-4213</b>	0,55 kW	<b>105</b>	37	13,38
<b>900-4213</b>	0,55 kW	<b>121</b>	42	11,64
<b>900-4213</b>	0,55 kW	<b>135</b>	47	10,46

**Lenze B45 with Smart motor**

Lenze G500-B45 with Smart motor and 0,47 kW.  
 Configurable with NFC for variable speeds  
 Weight 8800 g

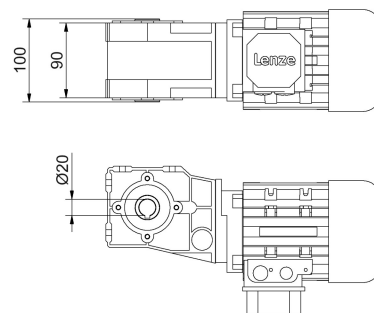
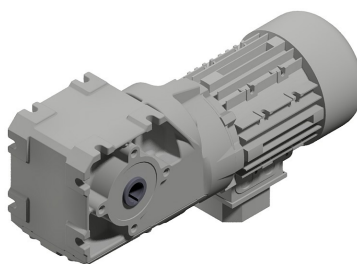


Part no. for G500-B45 Smart motor	Power	Rpm	Speed at 50 Hz m/min	Ratio
<b>900-4214</b>	0,47 kW	<b>17-90</b>	6-31	28,08
<b>900-4215</b>	0,47 kW	<b>29-150</b>	10-50	17,37

Series 900

**Lenze B110 with motor**

Lenze G500-B110 with motor.  
 Enter output rpm according to table  
 when ordering.  
 Other add-on on request  
 Weight 8600-10000 g



**Order example**

**Rpm**

**900-4216/54**

Part no. for G500-B110	Power	Rpm	Speed at 50 Hz m/min	Ratio
900-4216	0,18 kW	26	8	52,69
900-4216	0,18 kW	28	10	48,16
900-4216	0,18 kW	34	12	40
900-4216	0,18 kW	43	15	31,91
900-4216	0,18 kW	54	19	25,18
900-4216	0,18 kW	61	21	22,48
900-4216	0,18 kW	70	25	19,55
900-4216	0,18 kW	94	33	14,6
900-4216	0,18 kW	108	38	12,69
900-4216	0,18 kW	119	41	11,44
Part no. for G500-B110	Power	Rpm	Speed at 50 Hz m/min	Ratio
900-4217	0,25 kW	30	11	46
900-4217	0,25 kW	34	12	40
900-4217	0,25 kW	43	15	31,91
900-4217	0,25 kW	54	19	25,18
900-4217	0,25 kW	61	21	22,48
900-4217	0,25 kW	70	25	19,55
900-4217	0,25 kW	77	27	17,88
900-4217	0,25 kW	88	31	15,55
900-4217	0,25 kW	108	38	12,69

More options →

Series 900

Cont. Lenze G500-B110 with motor

Order example

900-4218/56

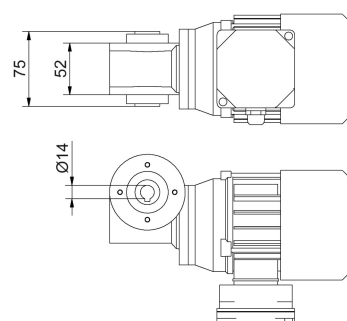
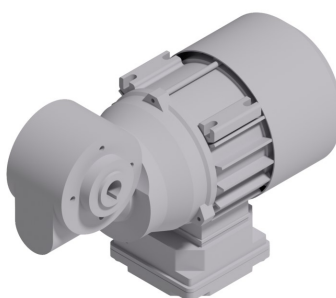
Rpm

Part no. for G500-B110	Power	Rpm	Speed at 50 Hz m/min	Ratio
<b>900-4217</b>	0,25 kW	<b>120</b>	42	11,44
<b>900-4217</b>	0,25 kW	<b>131</b>	46	10,46
<b>900-4217</b>	0,25 kW	<b>151</b>	52	9,10
Part no. for G500-B110	Power	Rpm	Speed at 50 Hz m/min	Ratio
<b>900-4218</b>	0,37 kW	<b>31</b>	11	46
<b>900-4218</b>	0,37 kW	<b>38</b>	13	10,46
<b>900-4218</b>	0,37 kW	<b>44</b>	16	31,91
<b>900-4218</b>	0,37 kW	<b>56</b>	20	25,18
<b>900-4218</b>	0,37 kW	<b>63</b>	22	22,48
<b>900-4218</b>	0,37 kW	<b>72</b>	25	19,55
<b>900-4218</b>	0,37 kW	<b>79</b>	28	17,88
<b>900-4218</b>	0,37 kW	<b>91</b>	32	15,55
<b>900-4218</b>	0,37 kW	<b>97</b>	34	14,60
<b>900-4218</b>	0,37 kW	<b>111</b>	39	12,69
<b>900-4218</b>	0,37 kW	<b>123</b>	43	11,44
<b>900-4218</b>	0,37 kW	<b>135</b>	47	10,46
Part no. for G500-B110	Power	Rpm	Speed at 50 Hz m/min	Ratio
<b>900-4219</b>	0,55 kW	<b>49</b>	17	28,96
<b>900-4219</b>	0,55 kW	<b>56</b>	20	25,18
<b>900-4219</b>	0,55 kW	<b>63</b>	22	22,48
<b>900-4219</b>	0,55 kW	<b>72</b>	25	19,55
<b>900-4219</b>	0,55 kW	<b>79</b>	28	17,88
<b>900-4219</b>	0,55 kW	<b>90</b>	31	15,55
<b>900-4219</b>	0,55 kW	<b>111</b>	39	12,69
<b>900-4219</b>	0,55 kW	<b>123</b>	43	11,44
<b>900-4219</b>	0,55 kW	<b>134</b>	47	10,46

Series 900

**Ruhrgetriebe SN3BFH with motor**

Ruhrgetriebe SN3BFH with motor.  
 Enter output rpm according to table when ordering.  
 Other add-on on request  
 Weight 6000 g



**Order example**

**Rpm**

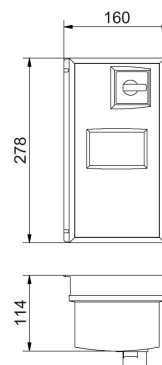
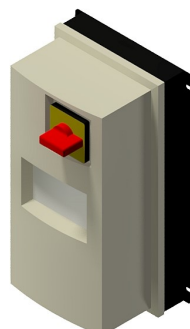
**900-4300/50**

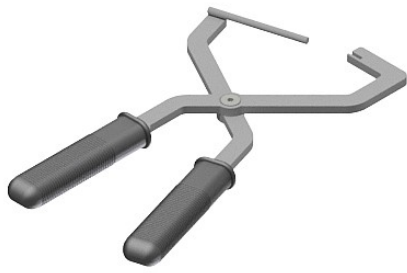
Part no. for SN3BFH	Power	Rpm	Speed at 50 Hz m/min	Ratio
900-4300	0,09 kW	19	4	75
900-4300	0,09 kW	25	6	56
900-4300	0,09 kW	28	7	50
900-4300	0,09 kW	37	8	38
900-4300	0,09 kW	44	10	32
900-4300	0,09 kW	47	11	30
900-4300	0,09 kW	50	12	28
900-4300	0,09 kW	58	13	24
900-4300	0,09 kW	70	16	20
900-4300	0,09 kW	82	19	17
900-4300	0,09 kW	93	21	15
900-4300	0,09 kW	117	27	12
900-4300	0,09 kW	124	29	11,33
900-4300	0,09 kW	140	32	10
900-4300	0,09 kW	200	46	7
900-4300	0,09 kW	280	64	5

**Frequency inverter**

Frequency inverter is available in following versions

Part no.	Voltage	Power
900-9010	230 V	0,37 kW
900-9000	400 V	0,75 kW





**S1000**

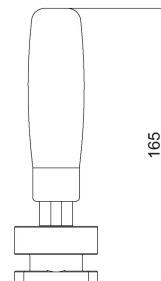
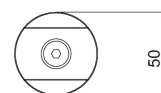


Series 1000

**Slide rail tool**

Tool for mounting slide rail for S620  
Plastic and anodized aluminum  
Weight 250 g

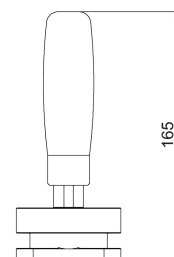
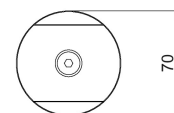
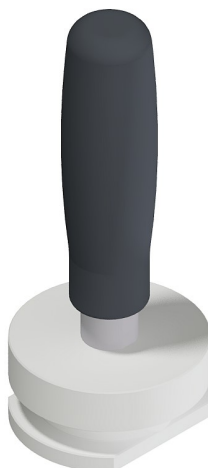
**Part no. 400-1070**



**Slide rail tool**

Tool for mounting slide rail for S830,  
S140 och S220  
Plastic and anodized aluminum  
Weight 330 g

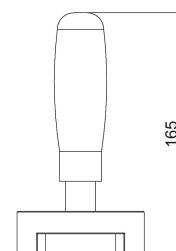
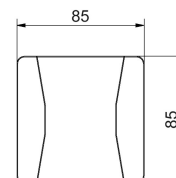
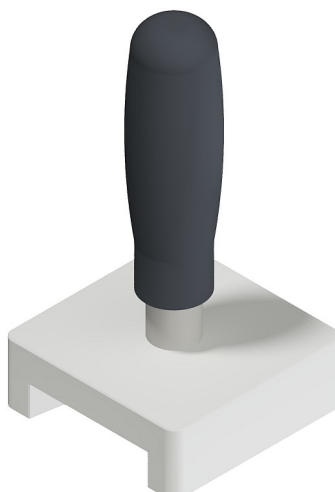
**Part no. 400-1060**



**Slide rail tool**

Tool for mounting outer slide rail for  
S140  
Plastic and anodized aluminum  
Weight 375 g

**Part no. 400-1080**

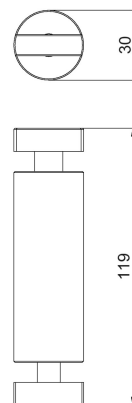


Series 1000

### Slide rail tool

Tool for mounting slide rail for S380  
Plastic  
Weight 75 g

Part no. 400-1075



### Pliers

For dismantling conveyor chain  
S620  
Stainless steel and rubber  
Weight 250 g

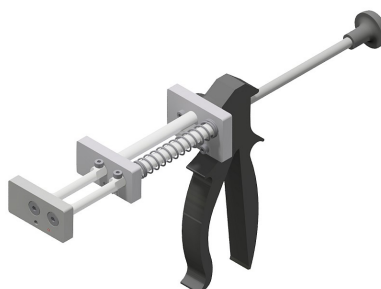
Part no. 10657-4



### Disassembly tool

For dismantling conveyor chain 620-2200  
Steel, aluminium and plastic  
Weight 770 g

Part no. 14682



### Pliers

For splicing guide rail  
Painted steel and plastic  
Weight 700 g

Part no. 16890



## Series 1000

**Clamp**

For assembly and service work of  
conveyor chain  
Zinc plated steel and plastic  
Weight 620 g



**Part no. 17036**



[WWW.CARRYLINE.COM](http://WWW.CARRYLINE.COM)